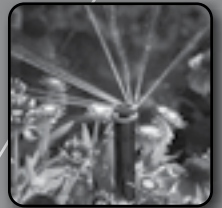


Hunter[®]

SPARE PARTS PRICELIST 2026



EFFICIENT. SUSTAINABLE. DEPENDABLE
www.nelsonirrigation.com.au

 **NELSON
AUSTRALIA**
INNOVATION IN IRRIGATION

TABLE OF CONTENTS

Rotors

PGJ-00: Gear-Driven Rotor.....	4
PGJ-04, 06, 12: Gear-Driven Rotor.....	5
SRM-04, PGM-04, 06, 12: Gear-Driven Rotor (Before January 2021)	6
SRM-04, PGM-04, 06, 12: Gear-Driven Rotor (After January 2021)	7
PGP®ADJ: Gear-Driven Rotor.....	8
PGP®ATR: Gear-Driven Rotor	9
PGP®.00: Gear-Driven Rotor	10
PGP®.00-PRB: Gear-Driven Rotor	11
PGP-04 Ultra, PGP-06 Ultra, PGP-12 CV Ultra: Gear-Driven Rotor.....	12
I-20-00: Gear-Driven Rotor	13
I-20-00-PRB: Gear-Driven Rotor	14
I-20-04, I-20-06, I-20-12: Gear-Driven Rotor.....	15
I-20-04-PRB, I-20-06-PRB, I-20-12-PRB: Gear-Driven Rotor.....	16
I-25-04, I-25-06: Gear-Driven Rotor.....	17
I-40-04, 06: Gear-Driven Rotor	18
I-50-06: Gear-Driven Rotor	19
I-60: Gear-Driven Rotor.....	20
I-80: Gear-Driven Rotor.....	21
I-90: Gear-Driven Rotor.....	22
I-90: Gear-Driven Rotor	
ST-90: Gear-Driven Rotor.....	23

ST Systems

STG900: Gear-Driven Sprinkler.....	24
ST1600HSB: Pop-Up & Gear Drive (illustration next page)	25
ST1600HSB: Pop-Up & Gear Drive	26
ST1700V: Valve-in-head Pop-up & Gear Drive (illustration next page)	27
ST1700VB: Valve-in-head Pop-up & Gear Drive...	28
ST-173026-B Vault.....	29
ST-173026-A Vault	30
ST-173026-C Vault	31
ST-243642-B Vault.....	32

Nozzles

MP Rotator & Spray Nozzles	33
----------------------------------	----

Sprays

PSU02, 04, 06: PS Ultra Spray Sprinklers.....	34
PROS02, 03, 04, 06, 12: Pro-Spray Sprinklers	35
PRS30-04, 06, 12: Pro-Spray Pressure-Regulated Spray Bodies.....	36
PRS40-04CV, 06CV, 12CV: Pro-Spray Pressure-Regulated Spray Bodies.....	37

Valves

SRV: Plastic Valve	38
PGV-ASV: Plastic Valve (6-Bolt Bonnet Design) .	39
PGV-ASV: Plastic Valve (4-Bolt Bonnet Design) .	40
PGV-100G, 101G: Plastic Valves	41
PGV Jar-Top: Plastic Valves.....	42
PGV-100A, 101A: Plastic Valves	43
PGV-151, 201: Plastic Valves	44
HPV: Plastic Valve.....	45
ICV-101G: Plastic Valves	46
ICV-151G & 201G: Plastic Valves	47
ICV-301: Plastic Valves.....	48
IBV-101G: Brass Valves	49
IBV-101, 151 & 201: Brass Valves	50
IBV-301: Brass Valves.....	51

Micro Irrigation

ICZ-151: Drip Control Zone Kit	52
PCZ-101: Drip Control Zone Kit	53
PCZ-101: Drip Control Zone Kit (Before January 2014)	54
ACZ-075: Drip Control Zone Kit.....	55
ACZ-075: Drip Control Zone Kit (Before January 2014)	56
ICZ-101: Drip Control Zone Kit	57

Quick Coupler Valves

HQ3RC: Quick Coupler Valve.....	58
HQ33RC, HQ33LRC, HQ33LRCR: Quick Coupler Valve.....	59
HQ44RC, HQ44LRC, HQ44LRCR: Quick Coupler Valve.....	60
HQ44RCAW, HQ44LRCAW, HQ44LRCAWR: Quick Coupler Valve.....	61
HQ5RC, HQ5LRC, HQ5LRCR: Quick Coupler Valve.....	62

Standard Controllers

X2: Wi-Fi Capable Outdoor Mount
Controller 63

X-Core: Indoor/Outdoor Mount
Controller 64

Pro-C & PCC: Indoor/Outdoor Mount
Controllers 65

ICC: Plastic Cabinet 66

ICC: Metal Cabinet 67

ICC: Plastic Pedestal 68

I-Core: Plastic Cabinet 69

I-Core: Metal Cabinet 70

I-Core: Plastic Pedestal 71

Hydrawise Controllers

HC WiFi Controller: Residential Controller 72

HPC: WiFi Controller 73

Pro-HC: WiFi Controller 74

HCC: WiFi Controller, Plastic Cabinet 75

HCC: WiFi Controller, Metal Cabinet 76

Centralus Controllers

ICC2: Plastic Cabinet 77

ICC2: Metal Cabinet 78

ACC2 Decoder Replacement Parts
A2C-75D-M, A2C-75D-P 79

ACC2 Conventional Replacement Parts
A2C-1200-M, A2C-1200-P 80

Plastic Pedestal (2017 to Present) 81

ACC Pedestal Controllers 82

ACC Wall Mount Controllers 83

IMMS Online Controllers

IMMS-CCC: Irrigation Management and
Monitoring System 84

IMMS-SI: Irrigation Management and
Monitoring System 85

HI-IMMS-CI: Irrigation Management and
Monitoring System™ 86

Decoders & Accessories

ICD-HP Components 87

IDS: Plastic Pedestal 88

IDS: Controller Components 89

ROAM: Remote Control Unit 90

ICR: Remote Control Unit 90

ROAM XL: Remote Control Unit 91

PSR: Pump Start Relay 92

PSR-B: Pump Start Relay Booster 93

Battery-Powered Controllers

NODE Controllers, Battery Operated 94

NODE-BT: Bluetooth Battery-Powered Controller 95

XC Hybrid: Battery-Powered Plastic Controller ... 96

XC Hybrid: Battery-Powered Stainless Steel Con-
troller 97

Sensors

Mini-Clik®: Rain Sensor 98

Rain-Clik™: Rain Sensor 99

Wireless Rain-Clik: Rain Sensor 100

Solar Sync®: ET Sensor 101

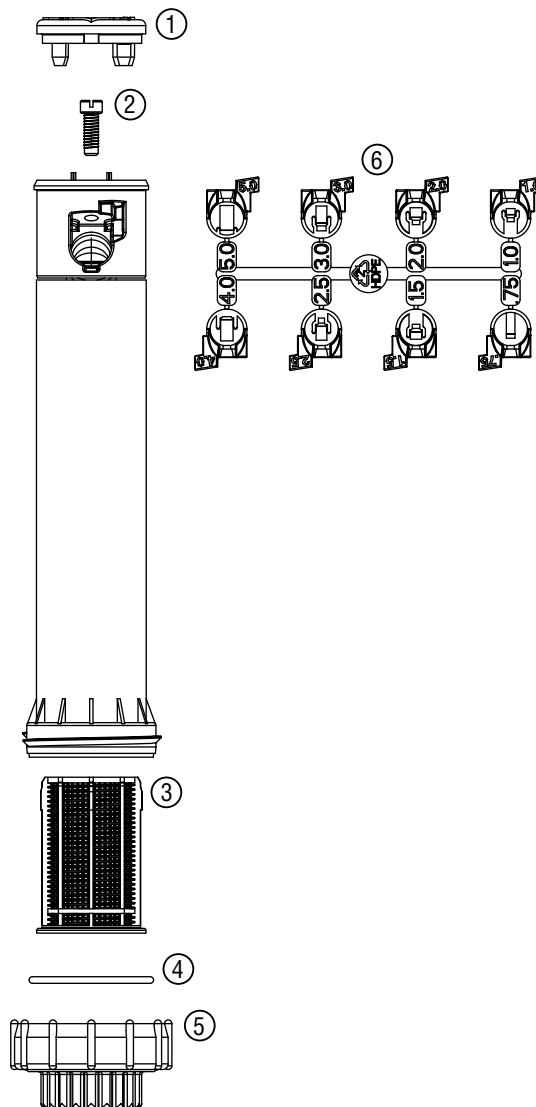
ET System 102

Miscellaneous

Tools 103

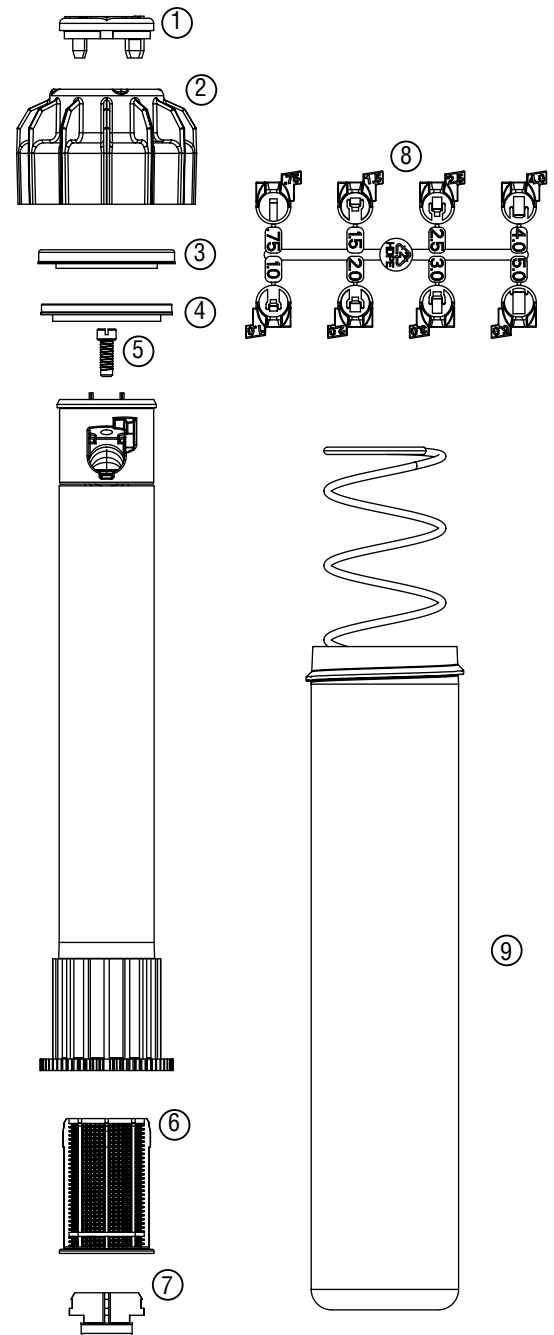
PGJ-00: Gear-Driven Rotor

Item	Description		Code	AUD
①	Rubber Cover	Black	HI-537800	3.47
		Purple	HI-537810	7.01
②	Nozzle Retention Screw		HI-537900	1.78
③	Screen		HI-272000	1.78
④	O-Ring		HI-464500	0.86
⑤	Shrub Head Base		HI-372800	3.47
⑥	Nozzle Rack (with 8 nozzles)		HI-538700	1.78



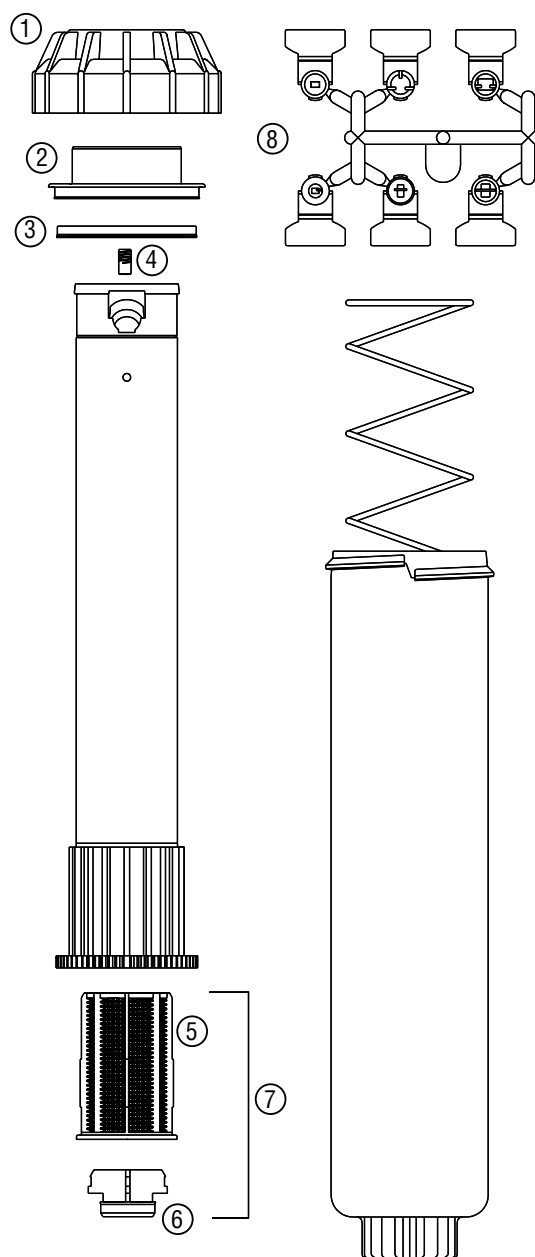
PGJ-04, 06, 12: Gear-Driven Rotor

Item	Description	Code	AUD
①	Rubber Cover	Black	HI-537800 3.47
		Black with Check Valve ID	HI-537805 5.25
		Purple with Check Valve ID	HI-537810 7.01
②	Body Cap	HI-537400	10.48
③	Riser Seal	HI-538100	2.80
④	Spring Seat	HI-326500	1.20
⑤	Nozzle Retention Screw	HI-537900	1.78
⑥	Screen	HI-272000	1.78
⑦	Check Valve - Sold in Bags of 25	HI-462078	64.50
⑧	Nozzle Rack (with 8 nozzles)	HI-538700	1.78
⑨	Body	4" (10 cm)	HI-537300 13.95
		6" (15 cm)	HI-538400 20.96
		12" (30 cm)	HI-538500 34.91



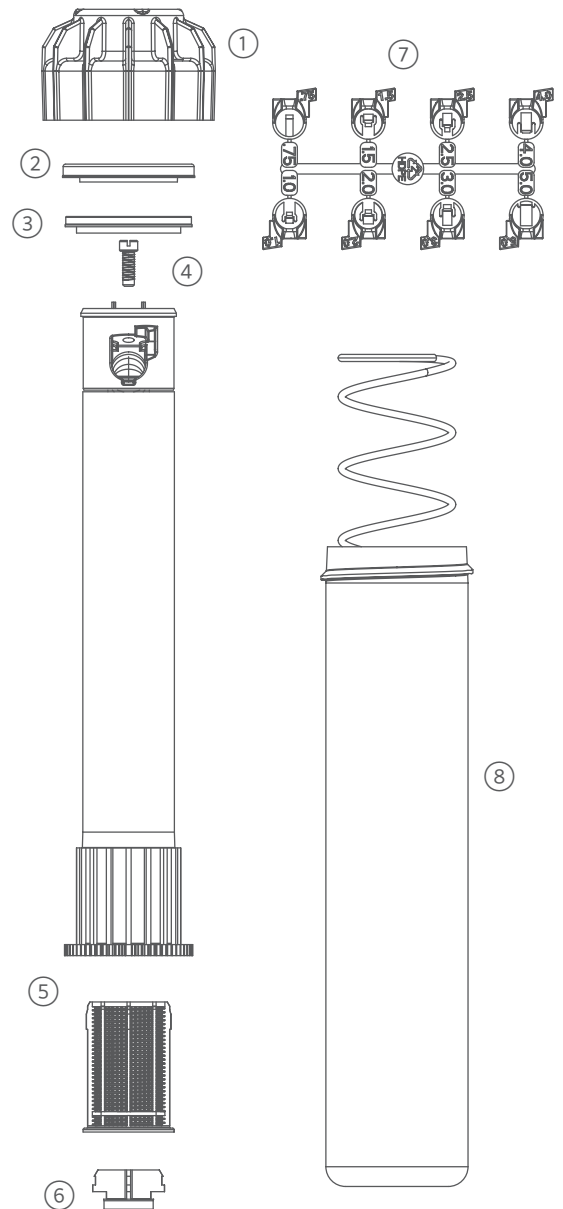
SRM-04, PGM-04, 06, 12: Gear-Driven Rotor (Before January 2021)

Item	Description	Code	AUD
①	Body Cap	HI-270700	10.48
②	Riser Seal	HI-326400	--
③	Spring Seat	HI-326500	1.20
④	Nozzle Retention Screw - Sold in Bag of 25	HI-463262	1.75
⑤	Screen (White)	HI-272000	1.78
⑥	Check Valve - Sold in Bag of 25	HI-462078	64.50
⑦	Screen/Check Valve Assembly	HI-302500	3.47
⑧	Nozzle Rack (0.50, 0.75, 1.0, 1.5, 2.0, 3.0)	HI-327000	1.78



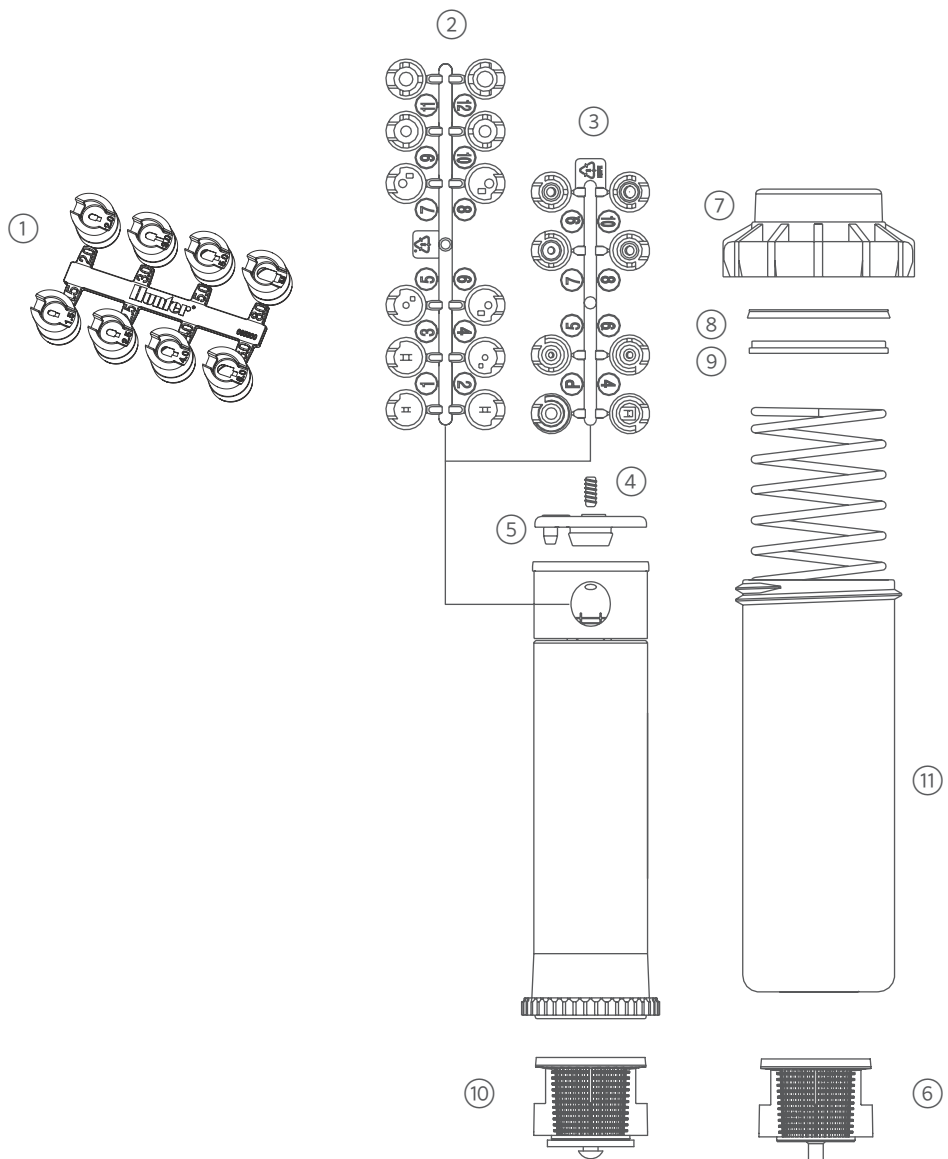
SRM-04, PGM-04, 06, 12: Gear-Driven Rotor (After January 2021)

Item	Description	Code	AUD	
1	Body Cap	HI-537400	10.48	
2	Riser Seal	HI-538100	2.80	
3	Spring Seat	HI-326500	1.20	
4	Nozzle Retention Screw - Sold in Bag of 25	HI-537900	1.78	
5	Screen (White)	HI-272000	1.78	
6	Check Valve - Sold in Bag of 25	HI-462078	64.50	
7	Nozzle Rack (0.50, 0.75, 1.0, 1.5, 2.0, 3.0)	HI-302500	3.47	
8	Body	4" (10cm)	HI-537300	13.95



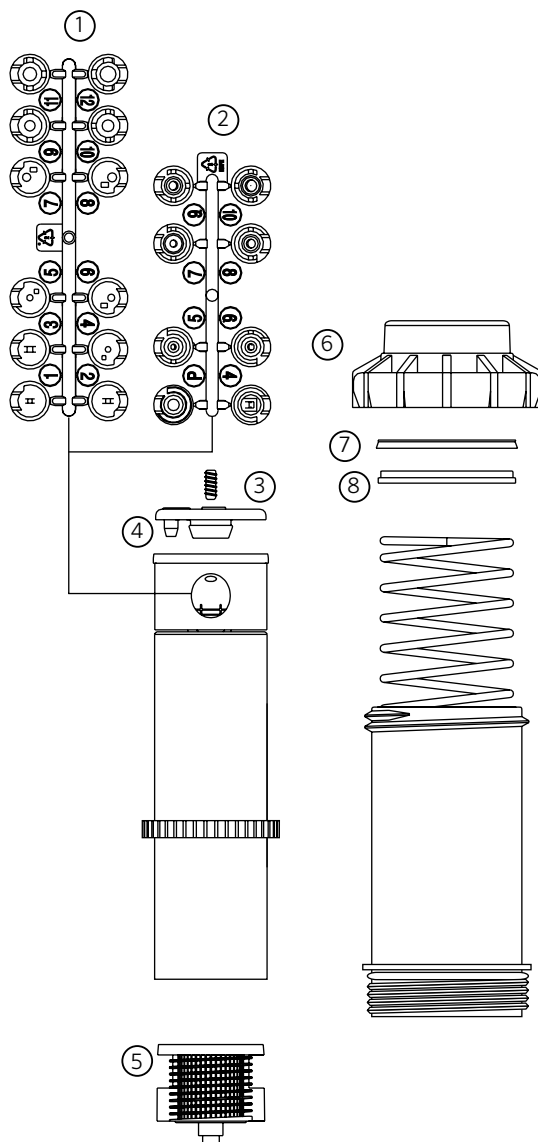
PGP[®]ADJ: Gear-Driven Rotor

Item	Description	Code	AUD	
1	Blue nozzle Set, 8 nozzles	HI-665300	1.31	
2	Red Nozzle Set, 12 nozzles	HI-130900	1.33	
3	Gray Low Angle Nozzle Set, 7 nozzles	HI-233200	1.33	
4	Set Screw	HI-120300	1.31	
5	Protective Rubber Cover (Fits Units Manufactured After 2/93)			
	Black (ADJ)	HI-269400	3.47	
6	Standard Filter Screen (Black)	HI-102600	1.33	
7	Body Cap	HI-103700	12.97	
8	Riser Seal	HI-181500	0.64	
9	Spring Seat	HI-189900	1.20	
10	Filter Screen/Check Valve Sub-Assembly	HI-142300	2.60	
11	Body	4" (10cm)	HI-100200	20.96



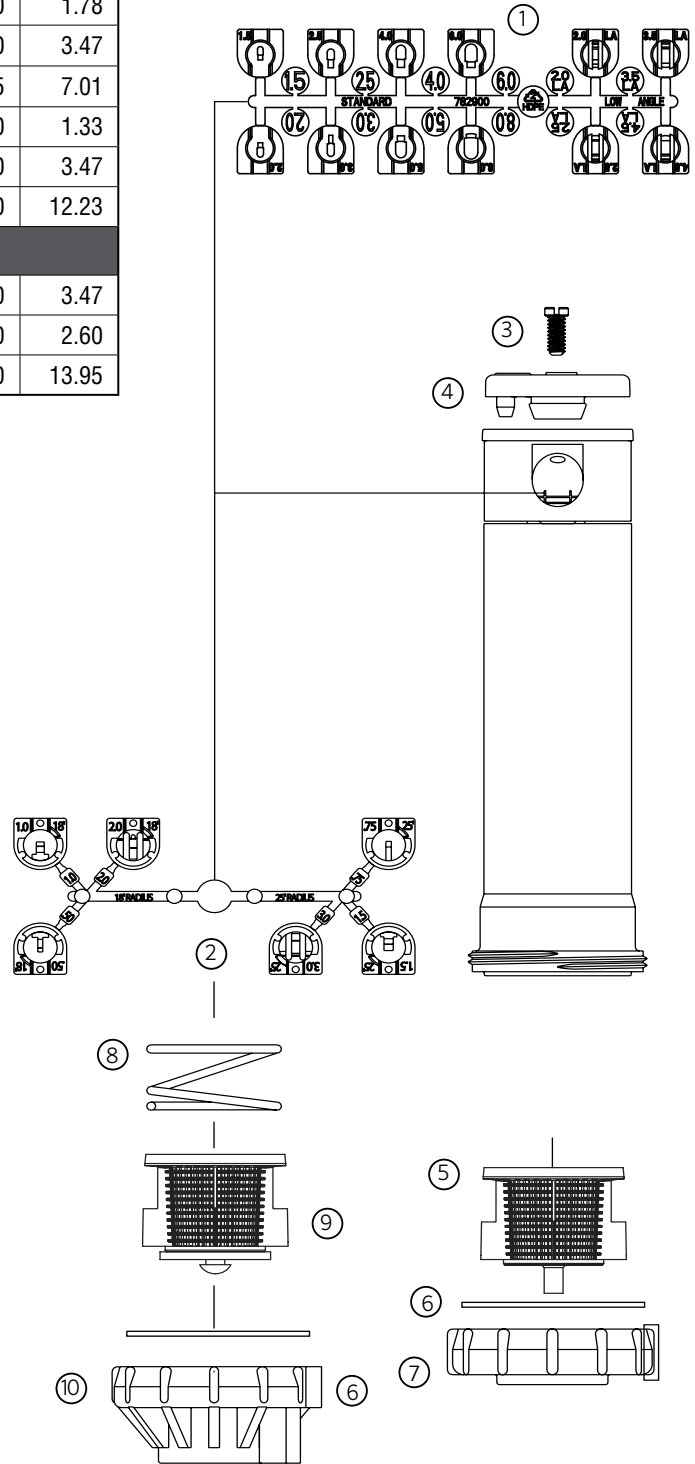
PGP® ATR: Gear-Driven Rotor

Item	Description	Code	AUD	
1	Standard Nozzle Set (12) 25° Trajectory	HI-130900	1.33	
2	Low Angle Nozzle Set (7) 13° Trajectory	HI-233200	1.33	
3	Set Screw	HI-120300	1.31	
4	Protective Rubber Cover	Black (ADJ)	HI-269400	3.47
5	Standard Filter Screen (Black)	HI-102600	1.33	
6	Body Cap	HI-103700	12.97	
7	Riser Seal	HI-181500	0.64	
8	Spring Seat	HI-189900	1.20	



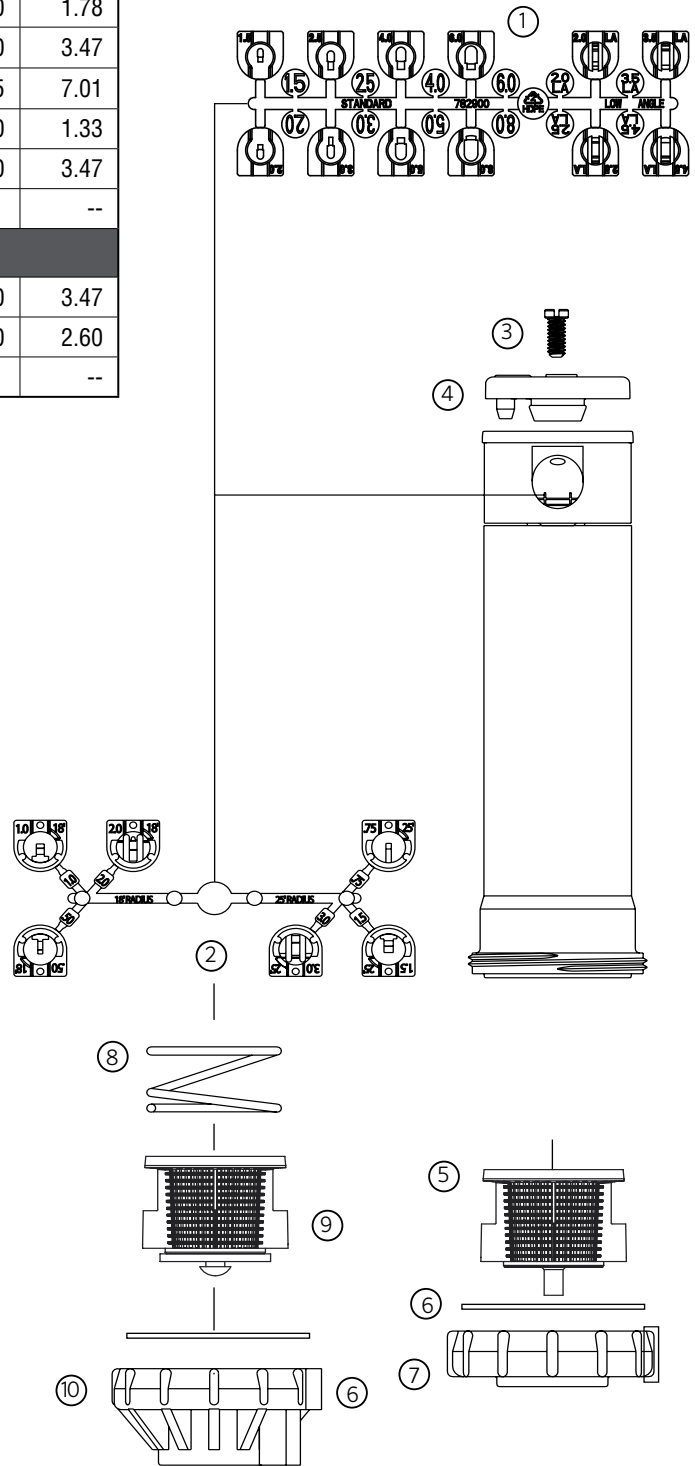
PGP[®]-00: Gear-Driven Rotor

Item	Description	Code	AUD	
1	Standard (8) and Low Angle (4) Nozzle Set, Blue & Gray	HI-782900	1.33	
2	Short Radius Nozzle Set (6), Black	HI-466100	1.31	
3	Nozzle Retainer Screw - Headed w/ Slot	HI-180900	1.78	
4	Rubber Cover Assembly	Black	HI-183600	3.47
		Purple	HI-183605	7.01
5	Standard Filter Screen (Black)	HI-102600	1.33	
6	O-Ring	HI-170600	3.47	
7	Standard Shrub Head Base	HI-106900	12.23	
Options				
8	Check Valve Spring	HI-235000	3.47	
9	Filter Screen/Check Valve Sub Assembly	HI-142300	2.60	
10	Shrub Head Base	Check Valve Model	HI-234900	13.95



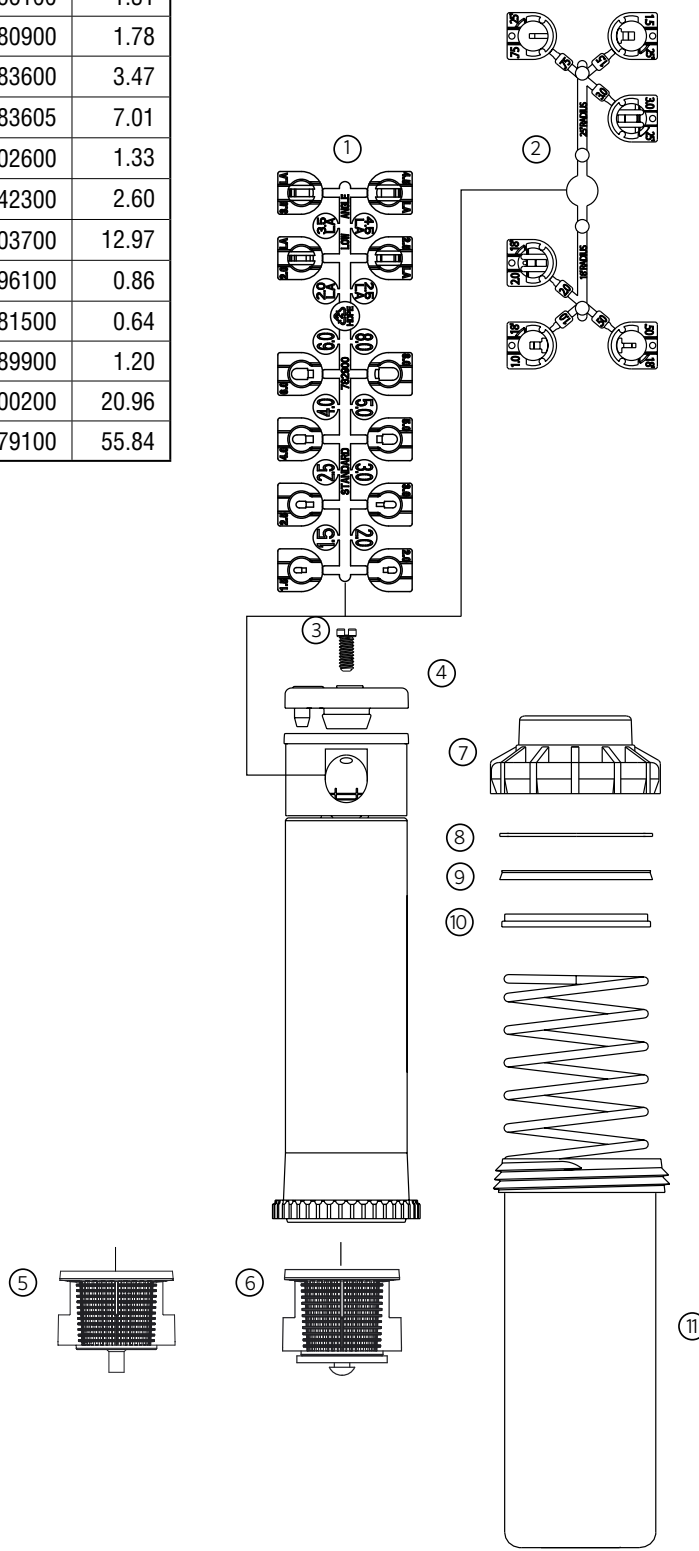
PGP®-00-PRB: Gear-Driven Rotor

Item	Description	Code	AUD	
1	Standard (8) and Low Angle (4) Nozzle Set, Blue & Gray	HI-782900	1.33	
2	Short Radius Nozzle Set (6), Black	HI-466100	1.31	
3	Nozzle Retainer Screw - Headed w/ Slot	HI-180900	1.78	
4	Rubber Cover Assembly	Black	HI-183600	3.47
		Purple	HI-183605	7.01
5	Standard Filter Screen (Black)	HI-102600	1.33	
6	O-Ring	HI-170600	3.47	
7	Standard Shrub Head Base		--	
Options				
8	Check Valve Spring	HI-235000	3.47	
9	Filter Screen/Check Valve Sub Assembly	HI-142300	2.60	
10	Shrub Head Base with Pressure Regulator		--	



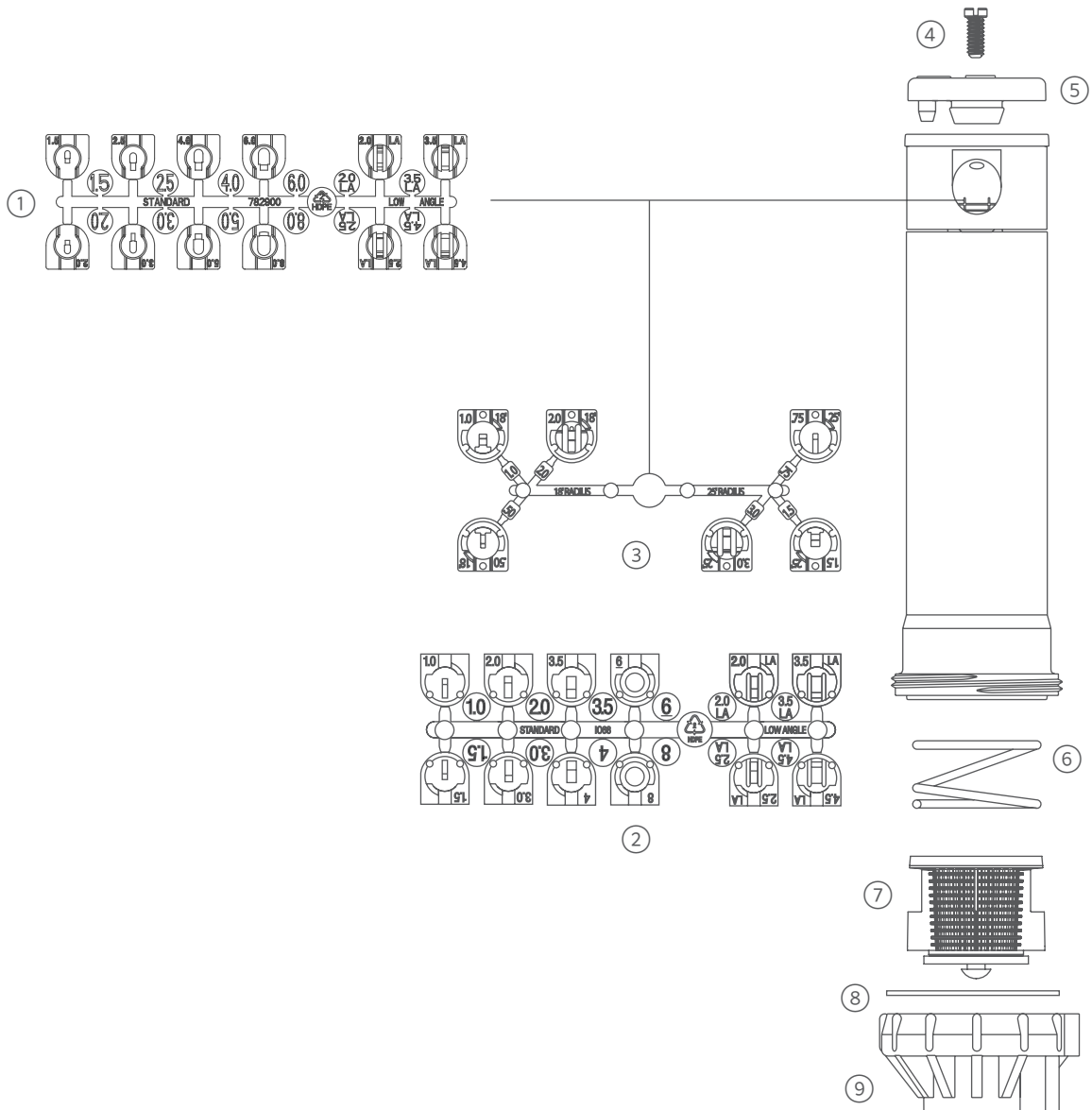
PGP-04 Ultra, PGP-06 Ultra, PGP-12 CV Ultra: Gear-Driven Rotor

Item	Description	Code	AUD	
1	Standard (8) and Low Angle (4) Nozzle Set, Blue & Gray	HI-782900	1.33	
2	Short Radius Nozzle Set (6), Black	HI-466100	1.31	
3	Nozzle Retainer Screw - Headed w/ Slot	HI-180900	1.78	
4	Rubber Cover Assembly	Black	HI-183600	3.47
		Purple	HI-183605	7.01
5	Filter Screen	Standard Model	HI-102600	1.33
6	Check Valve Screen Assembly	HI-142300	2.60	
7	Body Cap	HI-103700	12.97	
8	Slip Washer	PGP-12-CV-Only	HI-296100	0.86
9	Riser Seal	HI-181500	0.64	
10	Spring Seat	HI-189900	1.20	
11	Body	4" (10 cm)	HI-100200	20.96
		12" (30 cm)	HI-179100	55.84



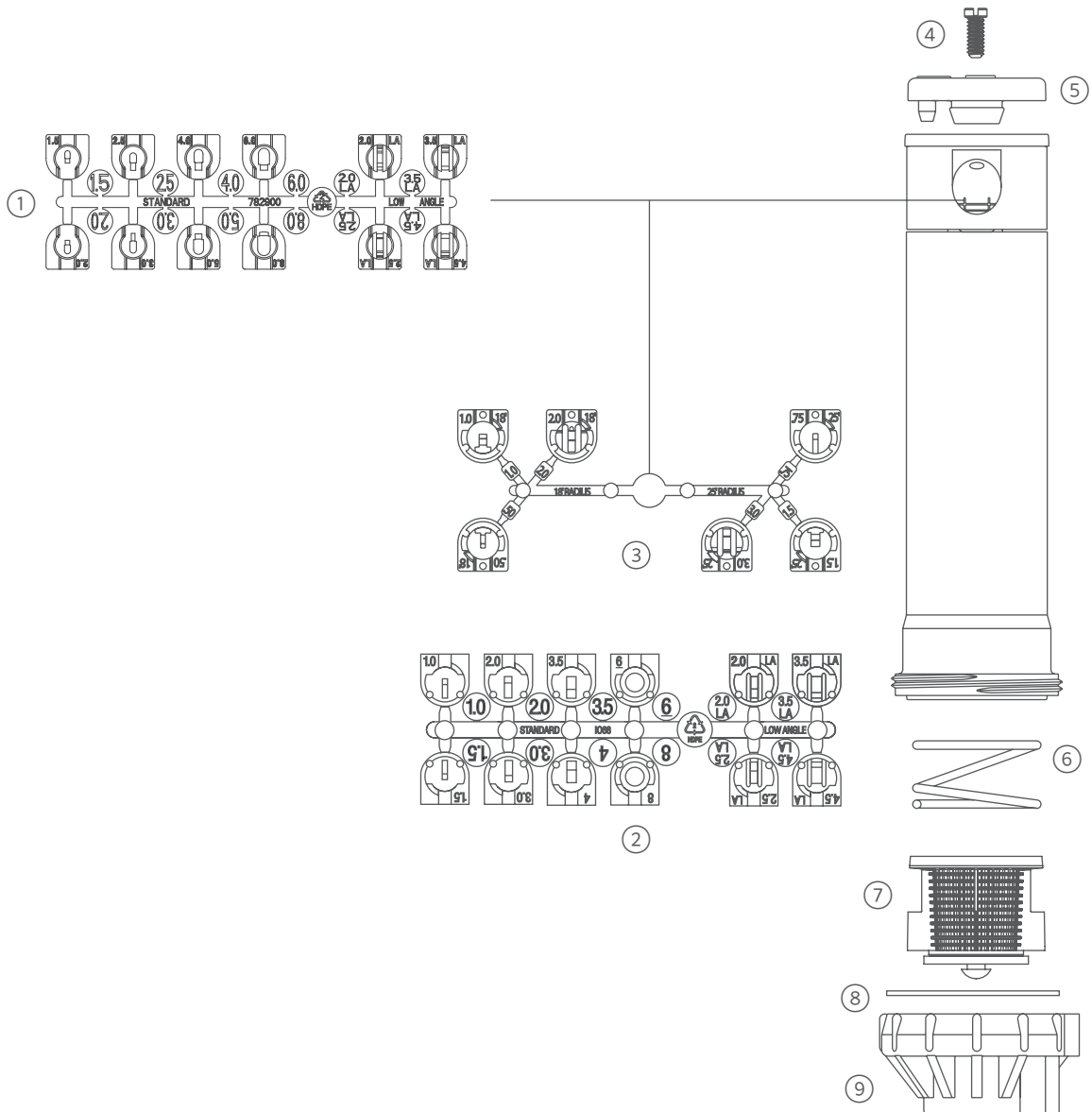
I-20-00: Gear-Driven Rotor

Item	Description	Code	AUD	
1	Standard (8) & Low Angle (4) Nozzle Set, Blue & Grey	HI-782900	1.33	
2	Standard (8) & Low Angle (4) Nozzle Set, NAVY Blue & Grey	HI-356605	1.33	
3	Short Radius Nozzle Set (6), Black	HI-466100	1.31	
4	Nozzle Retainer Screw	HI-180900	1.78	
5	Rubber Cover Assembly	Black	HI-352476	3.47
		Purple	HI-352478	7.01
6	Check Valve Spring	HI-235000	3.47	
7	Check Valve Screen Assembly	HI-142300	2.60	
8	O-Ring	HI-170600	3.47	
9	Shrub Head Base	Check Valve Model	HI-234900	13.95



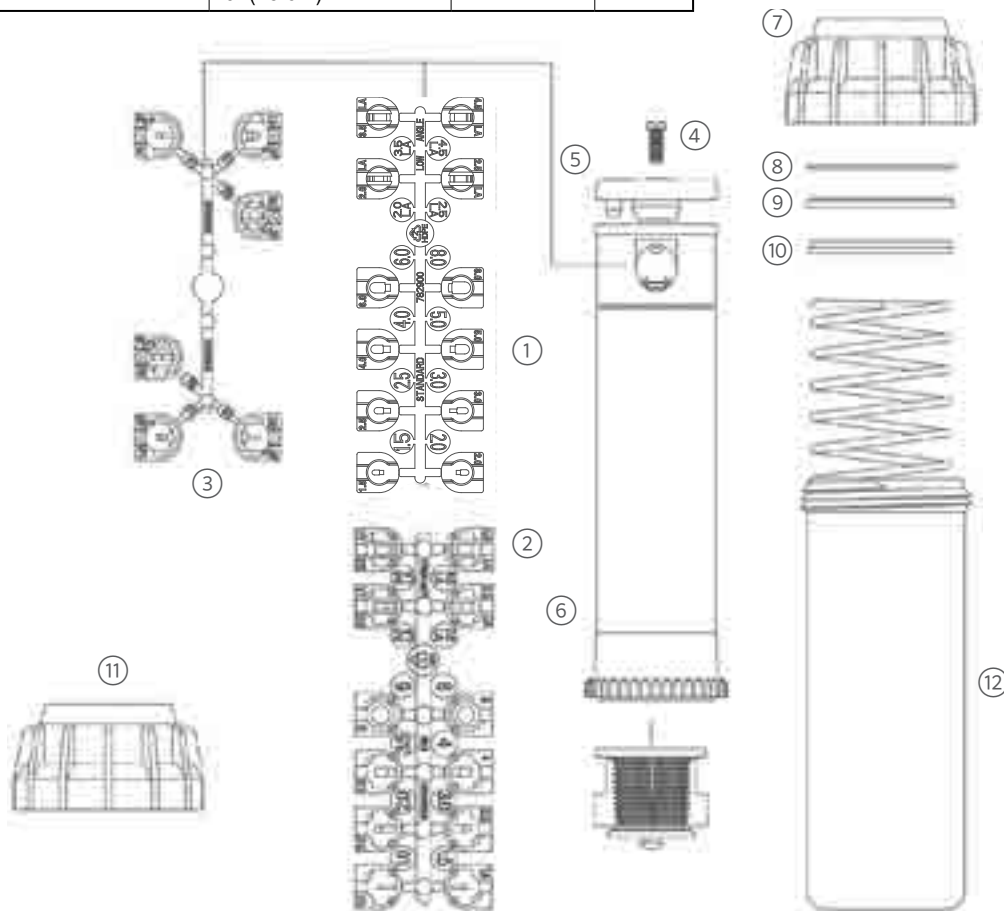
I-20-00-PRB: Gear-Driven Rotor

Item	Description	Code	AUD	
1	Standard (8) & Low Angle (4) Nozzle Set, Blue & Grey	HI-782900	1.33	
2	Standard (8) & Low Angle (4) Nozzle Set, NAVY Blue & Grey	HI-356605	1.33	
3	Short Radius Nozzle Set (6), Black	HI-466100	1.31	
4	Nozzle Retainer Screw	HI-180900	1.78	
5	Rubber Cover Assembly	Black	HI-352476	3.47
		Purple	HI-352478	7.01
6	Check Valve Spring	HI-235000	3.47	
7	Check Valve Screen Assembly	HI-142300	2.60	
8	O-Ring	HI-170600	3.47	
9	Shrub Head Base with Pressure Regulator		--	



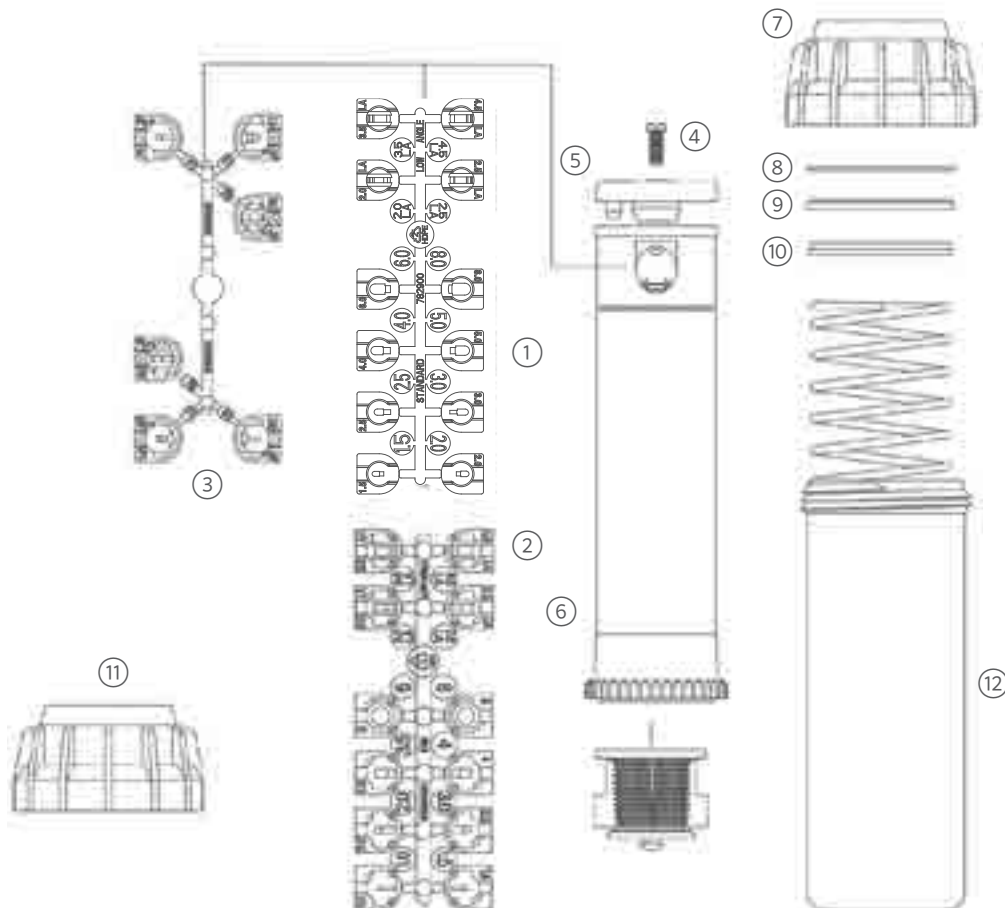
I-20-04, I-20-06, I-20-12: Gear-Driven Rotor

Item	Description	Code	AUD	
1	Standard (8) & Low Angle (4) Nozzle Set, Blue & Grey	HI-782900	1.33	
2	Standard (8) & Low Angle (4) Nozzle Set, NAVY Blue & Grey	HI-356605	1.33	
3	Short Radius Nozzle Set (6), Black	HI-466100	1.31	
4	Nozzle Retainer Screw	HI-180900	1.78	
5	Rubber Cover Assembly	Black	HI-352476	3.47
		Purple	HI-352478	7.01
6	Filter Screen with Check Valve Screen Assembly	HI-142300	2.60	
7	Body Cap	HI-356000	17.45	
8	Slip Washer	I-20-04/I-20-06	HI-102300	1.23
		I-20-12-Only	HI-296100	0.86
9	Riser Seal	I-20-04	HI-252500	2.61
		I-20-06	HI-252500	2.61
		I-20-12	HI-181500	0.64
10	Spring Seat	I-20-04	HI-227800	1.23
		I-20-06	HI-227800	1.23
		I-20-12	HI-189900	1.20
11	I-20 Shut Off Cap Assembly	HI-296000	17.45	
12	Body	4" (10 cm)		--
		6" (15 cm)		--



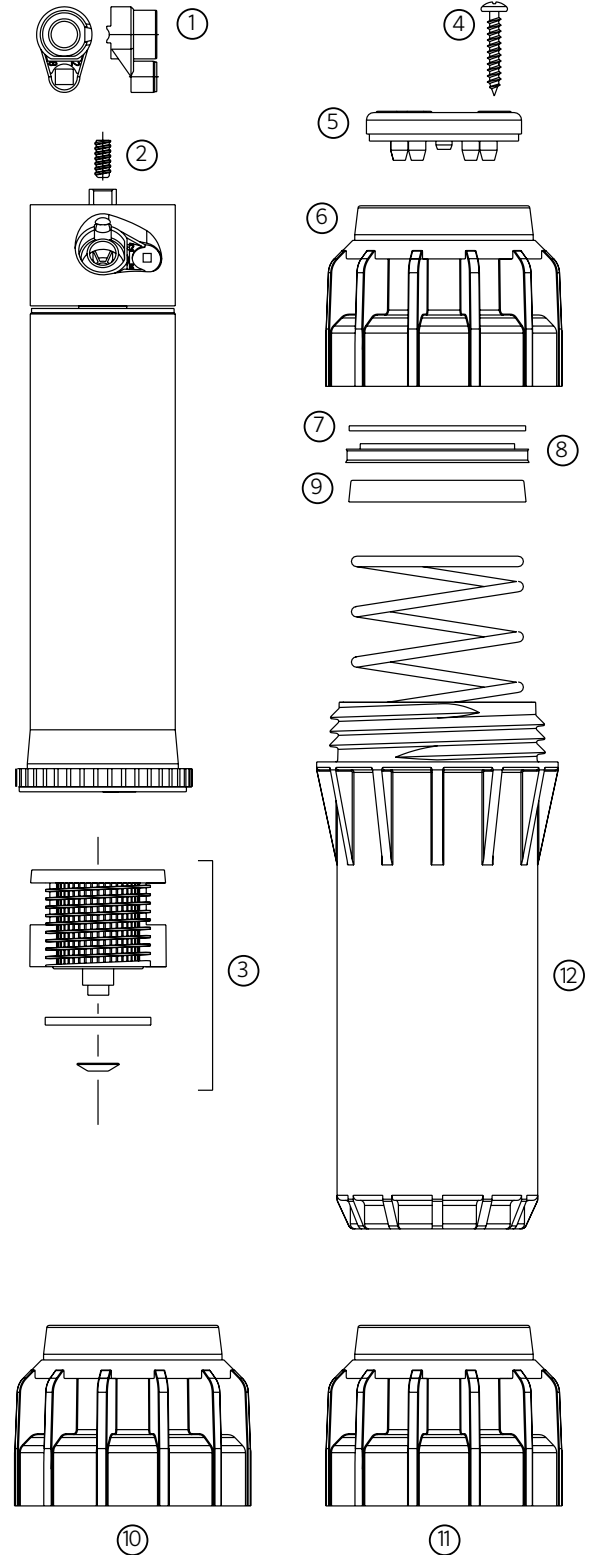
I-20-04-PRB, I-20-06-PRB, I-20-12-PRB: Gear-Driven Rotor

Item	Description	Code	AUD	
1	Standard (8) & Low Angle (4) Nozzle Set, Blue & Grey	HI-782900	1.33	
2	Standard (8) & Low Angle (4) Nozzle Set, NAVY Blue & Grey	HI-356605	1.33	
3	Short Radius Nozzle Set (6), Black	HI-466100	1.31	
4	Nozzle Retainer Screw	HI-180900	1.78	
5	Rubber Cover Assembly	Black	HI-352476	3.47
		Purple	HI-352478	7.01
6	Filter Screen with Check Valve Screen Assembly	HI-142300	2.60	
7	Body Cap	HI-356000	17.45	
8	Slip Washer	I-20-04/I-20-06	HI-102300	1.23
		I-20-12-Only	HI-296100	0.86
9	Riser Seal	I-20-04	HI-252500	2.61
		I-20-06	HI-252500	2.61
		I-20-12	HI-181500	0.64
10	Spring Seat	I-20-04	HI-227800	1.23
		I-20-06	HI-227800	1.23
		I-20-12	HI-189900	1.20
11	I-20 Shut Off Cap Assembly	HI-296000	17.45	
12	Body with Pressure Regulator	4" (10 cm)		--
		6" (15 cm)		--



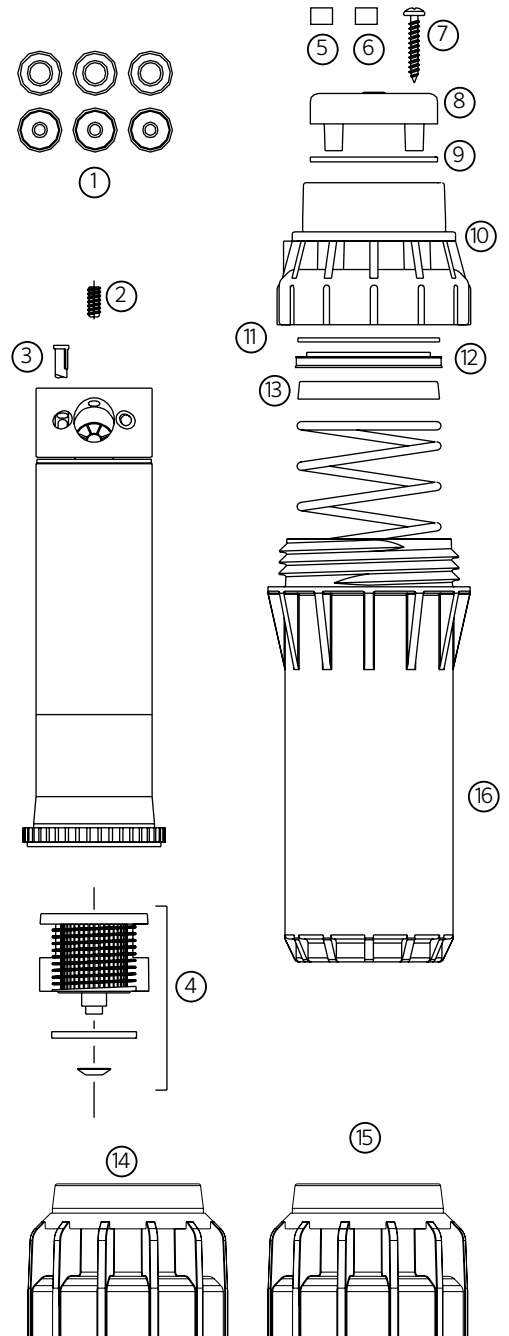
I-25-04, I-25-06: Gear-Driven Rotor

Item	Description	Code	AUD	
1	Nozzle Pack - 5pk (1 each 7, 10, 15, 20, 25)	HI-460010	13.95	
	Nozzles			
	Sold in Bag of 25			
	#4 - Yellow each	HI-463401	86.04	
	#6 - White each	HI-463402	86.04	
	#7 - Orange each	HI-463403	86.04	
	#8 - Light Brown each	HI-463404	86.04	
	#10 - Light Green each	HI-463405	86.04	
	#13 - Light Blue each	HI-463406	86.04	
	#16 - Grey each	HI-463407	86.04	
	#18 - Red each	HI-463408	86.04	
	#20 - Dark Brown each	HI-463409	86.04	
	#23 - Dark Green each	HI-463410	86.04	
	#25 - Dark Blue each	HI-463411	86.04	
	#28 - Black each	HI-463412	86.04	
2	Nozzle Retainer Screw	HI-333900	2.61	
3	Filter Screen/ Check Valve Assembly (White)	HI-303700	3.47	
4	Rubber Cover Screw (2 Required)	HI-334000	2.61	
5	Rubber Cover Assembly (logo base & Rubber Cover) before 12/01/2013			
	Black	HI-344605	20.96	
	Black SS	HI-344635	20.96	
	Purple	HI-344615	24.43	
	Purple SS	HI-344640	24.43	
	Brown SS	HI-344625	24.43	
	Rubber Cover Assembly (logo base & Rubber Cover) after 12/02/2013			
	Black	HI-831000	15.69	
	Black SS	HI-831003	15.69	
	Purple	HI-831001	18.29	
	Purple SS	HI-831004	18.29	
	Brown SS	HI-831002	24.43	
6	Body Cap Assembly before 12/01/2013	HI-341500	25.32	
	Body Cap Assembly after 12/02/2013	HI-828500	27.90	
7	Riser Seal Slip Washer	Grey after 12/02/2013	HI-827600	0.86
8	Riser Seal	Black before 12/01/2013	HI-221200	2.61
	White after 12/02/2013	HI-827500	2.61	
9	Spring Seat	Gray after 12/02/2013	HI-827800	1.23
10	I-25/I40 Shut Off Cap	HI-223200	17.45	
11	I-25/I40 Blow Out Cap	HI-345400	17.45	
12	Body			
	4" (10 cm) NPT	HI-336405	34.91	
	4" (10 cm) BSP	HI-336410	34.91	
	6" (15 cm) NPT	HI-614705	52.36	
	6" (15 cm) BSP	HI-614710	52.36	



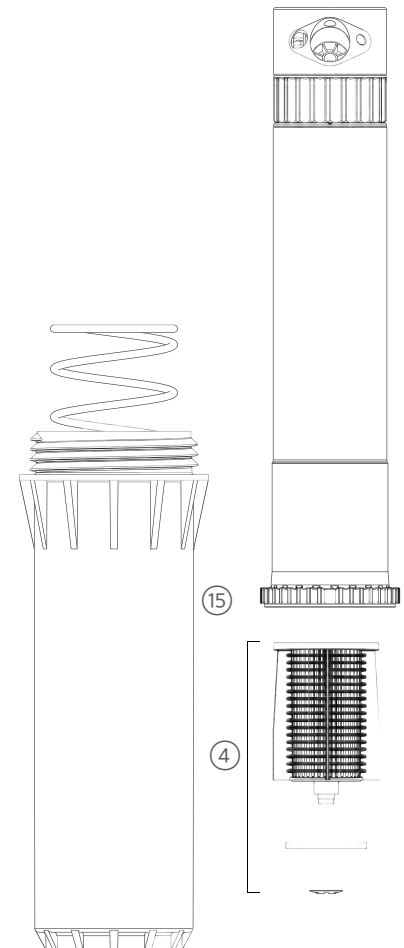
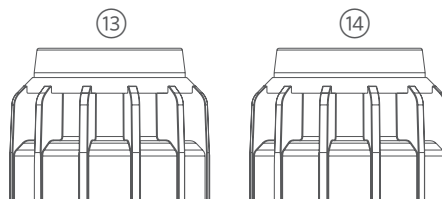
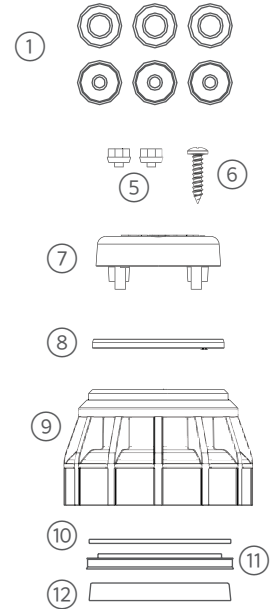
I-40-04, 06: Gear-Driven Rotor

Item	Description	Code	AUD	
①	Adjustable Nozzle Pack 6pk (1 each 8, 10, 13, 15, 23, 25)	HI-462458	8.73	
	Nozzles Sold in Bag of 25			
	#8 - Light Brown each	HI-461144	3.47	
	#10 - Light Green each	HI-461145	3.47	
	#13 - Light Blue each	HI-461146	86.75	
	#15 - Grey each	HI-461147	86.75	
	#23 - Dark Green each	HI-461148	86.75	
	#25 - Dark Blue each	HI-462436	86.75	
	Opposing Nozzle Pack 6pk (1 each 15, 18, 20, 23, 25, 28)	HI-462459	8.73	
②	Nozzle Retainer Screw	HI-333900	2.61	
③	Diffuser Pin	HI-245400	1.78	
④	Filter Screen/ Check Valve Assembly (White)	HI-303700	3.47	
⑤	Model Number Button	I-40	HI-252705	1.78
⑥	Feature Designation Button	Blank	HI-252845	1.78
		HS	HI-252855	1.78
		ON	HI-252850	1.78
⑦	Rubber Cover Screw (2 Required)	HI-334000	2.61	
⑧	Rubber Cover Assembly (includes part 10)	Black	HI-345005	27.90
		Brown	HI-345010	31.41
		Purple	HI-345015	31.41
⑨	Rubber Cover Washer	HI-253000	0.86	
⑩	Body Cap Assembly	I-40	HI-828700	27.90
		ON	HI-831400	27.90
⑪	Riser Seal Slip Washer	Grey after 12/02/2013	HI-827600	0.86
⑫	Riser Seal	Black before 12/01/2013	HI-221200	2.61
		White after 12/02/2013	HI-827500	2.61
⑬	Spring Seat	Grey after 12/02/2013	HI-827800	1.23
⑭	I-25/I40 Shut Off Cap	HI-223200	17.45	
⑮	I-25/I40 Blow Out Cap	HI-345400	17.45	
⑯	Body	4" (10 cm) NPT	HI-336405	34.91
		4" (10 cm) BSP	HI-336410	34.91
		6" (15 cm) NPT	HI-614705	52.36
		6" (15 cm) BSP	HI-614710	52.36



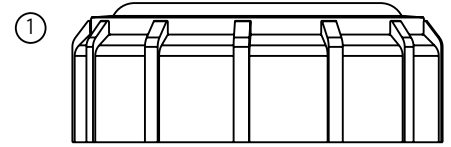
I-50-06: Gear-Driven Rotor

Item	Description	Code	AUD	
①	Adjustable Nozzle Pack 6pk (1 each 8, 10, 13, 15, 23, 25)	HI-462458	8.73	
	Nozzles Sold in Bag of 25	#8 - Light Brown each	HI-461144	3.47
		#10 - Light Green each	HI-461145	3.47
		#13 - Light Blue each	HI-461146	86.75
		#15 - Grey each	HI-461147	86.75
		#23 - Dark Green each	HI-461148	86.75
		#25 - Dark Blue each	HI-462436	86.75
	Opposing Nozzle Pack 6pk (1 each 15, 18, 20, 23, 25, 28)	HI-462459	8.73	
②	Nozzle Retainer Screw	HI-333900	2.61	
③	Diffuser Pin	HI-245400	1.78	
④	Filter Screen/ Check Valve Assembly (Grey)	HI-303700	3.47	
⑤	Screw Cover Button	Blank	HI-252845	1.78
		ON	HI-252850	1.78
⑥	Rubber Cover Screw (2 Required)	HI-334000	2.61	
⑦	Rubber Cover Assembly (includes part 8)	Black	HI-828300	27.90
		Purple	HI-828301	31.41
⑧	Rubber Cover Washer	HI-253000	0.86	
⑨	Body Cap Assembly	STD	HI-828700	27.90
		ON	HI-831400	27.90
⑩	Riser Seal Slip Washer	Grey	HI-827600	0.86
⑪	Riser Seal	White	HI-827500	2.61
⑫	Spring Seat	Grey	HI-827800	1.23
⑬	I-25/I-40/I-50 Shutoff Cap	HI-223200	17.45	
⑭	I-25/I-40/I-50 Blowout Cap – for 1 1/2" (3.8 cm) PVC Pipe	HI-345400	17.45	
⑮	Body	6" (15 cm) NPT	HI-614705	52.36
		6" (15 cm) BSP	HI-614710	52.36

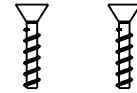


I-60: Gear-Driven Rotor

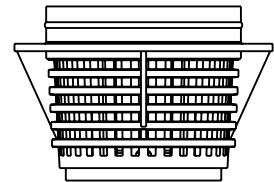
Item	Description	Code	AUD	
①	Body Cap Assembly	HI-431700	CALL	
②	Rubber Cover Screw (2 Required)	HI-334000	CALL	
③	Filter Screen Assembly (with Check Valve)	HI-422200	CALL	
④	Nozzle Pack 6pk (Includes 7, 10, 13, 15, 18, 20)	ADS	HI-462373	30.36
		36S	HI-462374	30.36



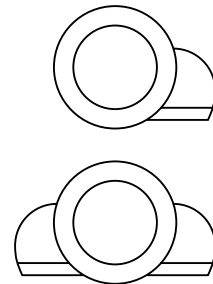
②



③

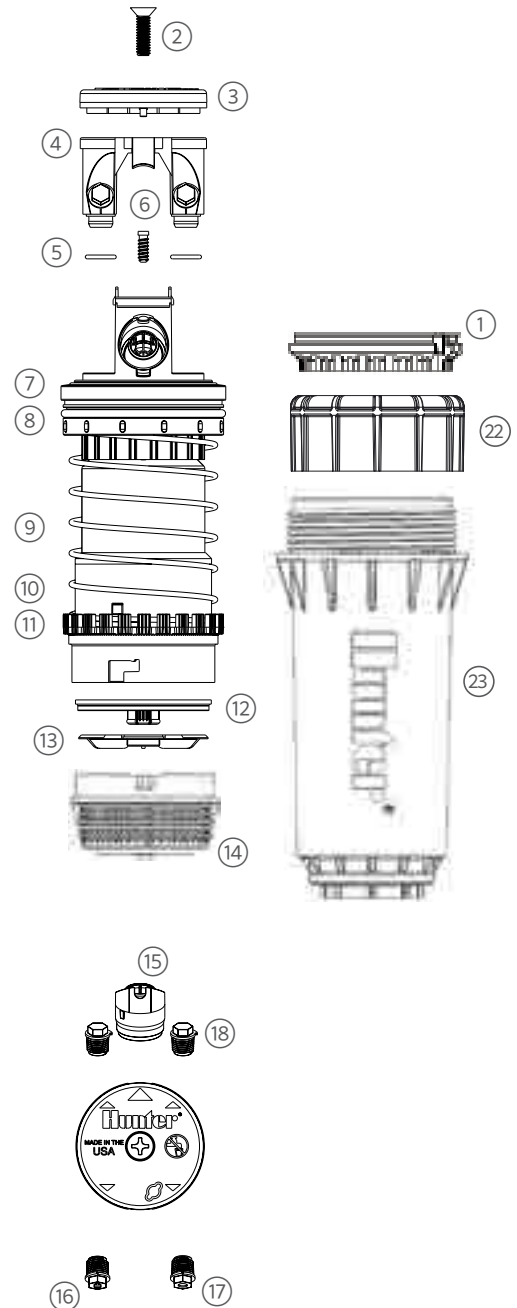


④



I-80: Gear-Driven Rotor

Item	Description	Code	AUD
①	Snap Ring Assembly	Black	HI-450100 36.69
		Purple	HI-450105 36.69
②	Screw – Logo Cap Retainer	HI-189755	3.84
③	Rubber Logo Cap Assembly (Black)	HI-255300	38.32
④	Yoke – Secondary Nozzle Housing	HI-254500	60.51
⑤	O-Ring – Yoke Seal (2 Used)	HI-252104	10.14
⑥	Screw – Primary Nozzle Retainer	HI-180900	1.78
⑦	Seal Block Assembly with O-Ring	HI-517100	80.27
⑧	O-Ring – Seal Block	HI-549400	12.11
⑨	Spring – Riser Retraction	HI-553700	68.93
⑩	Face Seal	HI-256500	32.24
⑪	Ratchet Ring/Spring Seat	HI-255000	26.24
⑫	Stator Base (for Plate #14)	HI-256600	10.14
⑬	Plate – Stator Adjustment (Noz. #23–#53)	HI-266500	10.14
⑭	Screen/Check Valve – Riser Inlet	HI-271900	26.24
⑮	Primary Nozzles – Each	#23 – Green	HI-272101 20.16
		#25 – Blue	HI-272102 20.16
		#33 – Grey	HI-272103 20.16
		#38 – Red	HI-272104 20.16
		#43 – Dk. Brown	HI-272105 20.16
		#48 – Dk. Green	HI-272106 20.16
		#53 – Dk. Blue	HI-272107 20.16
⑯	Short-Range Nozzles – Each	STD – Orange – Nozzles	HI-460011 587.28
		ON – Tan – Nozzles	HI-803611 8.33
⑰	Mid-Range Nozzles – Each	STD – Lt. Green – Nozzle	HI-315313 8.33
		ON – Lt. Blue – Nozzles	HI-315311 8.33
⑱	Plug – Nozzle (Black)	HI-315300	8.33
⑲	Nozzle Pack – #23 – #33 (Incl. Short and Mid)	HI-460055	72.65
⑳	Nozzle Pack – #38 – #53 (Incl. Short and Mid)	HI-460056	93.02
㉑	Yoke Assembly – Includes Items #4, #5, #16, #17 and #18	STD – For Primary Nozzles #23 – #53	HI-863502 112.56
		ON – For Primary Nozzles #25 – #53	HI-863506 112.56
㉒	Body Cap	HI-943900	58.08
㉓	Body	NPT - Gray	HI-781301 80.67
		BSP - Black	HI-781302 80.67

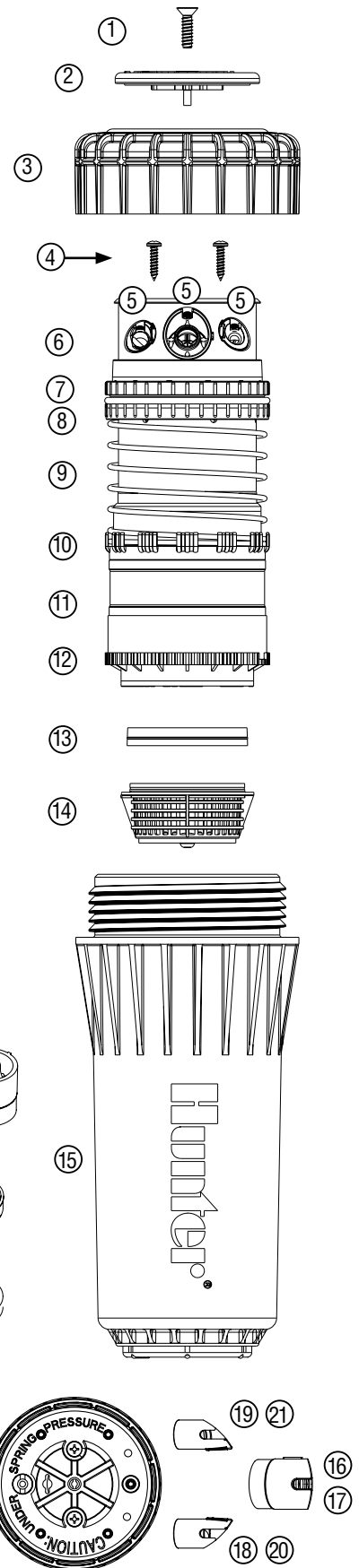


I-90: Gear-Driven Rotor

Item	Description	Code	AUD
1	Rubber Cover Screw (1 Required)	HI-351800	3.56
2	Rubber Cover Assembly	ADV (Black)	HI-529000 27.90
		36V (Black)	HI-528900 27.90
		ARV (Purple)	HI-529005 31.41
		3RV (Purple)	HI-528905 31.41
3	Body Cap Assembly	HI-525000	62.84
4	Retainer Cap Screws (2 Required)	HI-334000	2.61
5	Nozzle Retainer Screw (5 Required, not shown)	HI-333900	2.61
6	Retainer Cap (June 2011 & After) - ALL	HI-197200	17.45
7	*Seal Block	HI-171710	22.71
8	*O-Ring Seal	HI-171600	11.74
9	*Retraction Spring	HI-171900	64.63
10	*Face Seal - Black	HI-406000	10.14
11	*Bumper - Gray	HI-171800	16.16
12	Riser Assembly (Includes #4-11)	ADV, ARV	HI-525500 628.12
		36V, 3RV	HI-525400 628.12
13	Stator Adjustment Plate	HI-052833	4.24
14	Screen Assembly	HI-525200	20.89
15	Body	NPT	HI-525100 87.24
		BSP	HI-525105 87.24
16	Nozzle Pack 8pk (1 Each 25, 33, 38, 43, 48, 53, 63, 73)	HI-461204	187.91
17	Nozzle - Sold in bag of 25	#25 - Light Blue each	HI-460011 587.28
		#33 - Grey each	HI-464363 0.00
		#38 - Red each	HI-464364 587.28
		#43 - Dark Brown each	HI-464365 587.28
		#48 - Dark Green each	HI-464366 587.28
		#53 - Dark Blue each	HI-464367 587.28
		#63 - Black each	HI-464368 587.28
		#73 - Orange each	HI-460012 587.28
18	Low Angle Primary Nozzles - Sold in bag of 25	#25 - Light Blue each	HI-791500 27.44
		#33 - Grey each	HI-791600 27.44
		#38 - Red each	HI-791800 27.44
		#43 - Dark Brown each	HI-791900 27.44
		#48 - Dark Green each	HI-792000 27.44
		#53 - Dark Blue each	HI-792100 27.44
		#63 - Black each	HI-792200 27.44
#73 - Orange each	HI-792300 27.44		
18	Short Range Nozzle (May 2011 & Prior) - ALL (Left Black) - Sold in Bag of 25	HI-439100	8.33

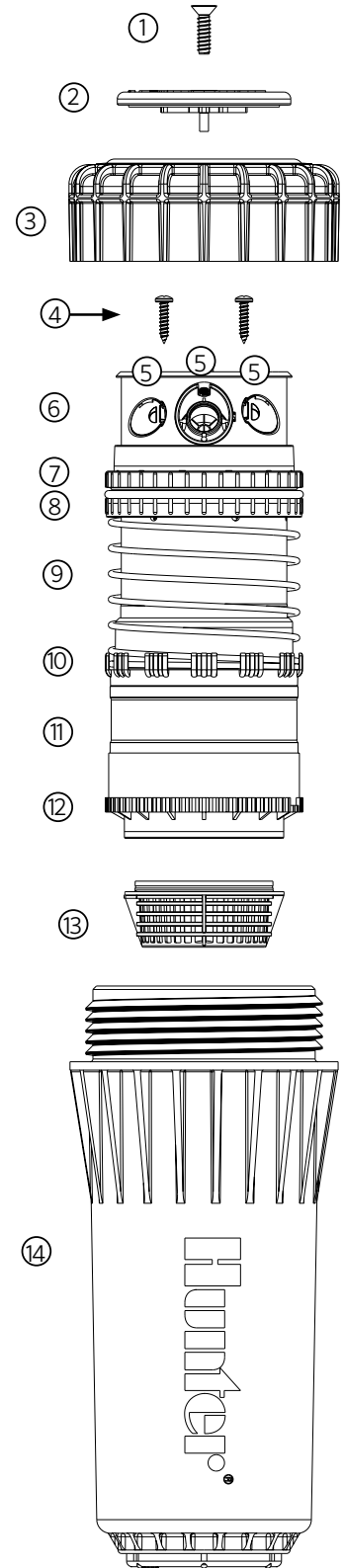
*Parts 7-11 are required for the new I-90 seal replacement kit

*Parts 19-21 are listed on the next page



I-90: Gear-Driven Rotor

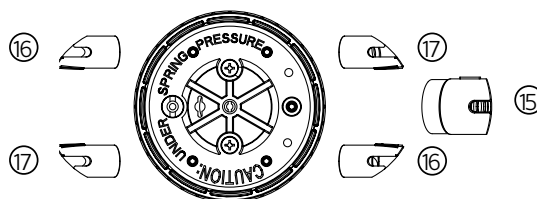
Item	Description	Code	AUD
19	Short Range Nozzle (June 2011 & After) (Left, Red) All Models -Sold in Bags of 25	HI-191800	8.33
	Mid Range Nozzle (May 2011 & Prior) -Sold in Bags of 25-	(Right, Green) ADV, ARV each HI-439000	8.33
		(Right, Blue) 36V, 3RV each HI-455400	8.33
	Mid Range Nozzle (June 2011 & After) -Sold in Bags of 25	(Right, Green) ADV, ARV each HI-195701	8.33
		(Right, Blue) 36V, 3RV each HI-195704	8.33
20	Nozzle Plug (June 2011 & After) Left, Black - ALL -Sold in Bags of 25	HI-195803	7.01
21	Nozzle Plug (June 2011 & After) Right, Black - ALL -Sold in Bags of 25	HI-195703	7.01



ST-90: Gear-Driven Rotor

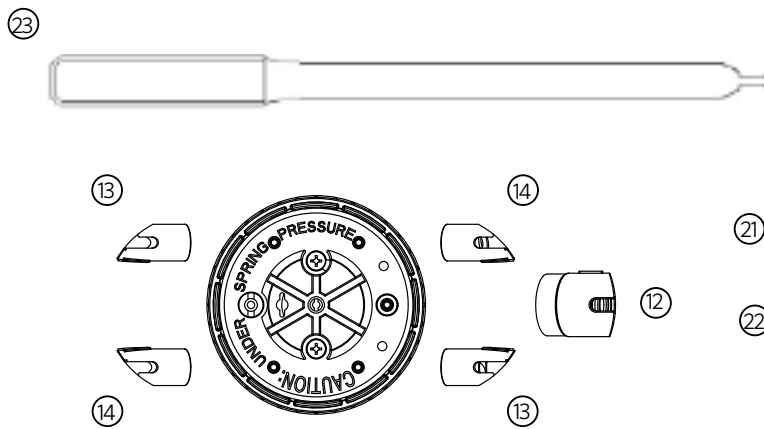
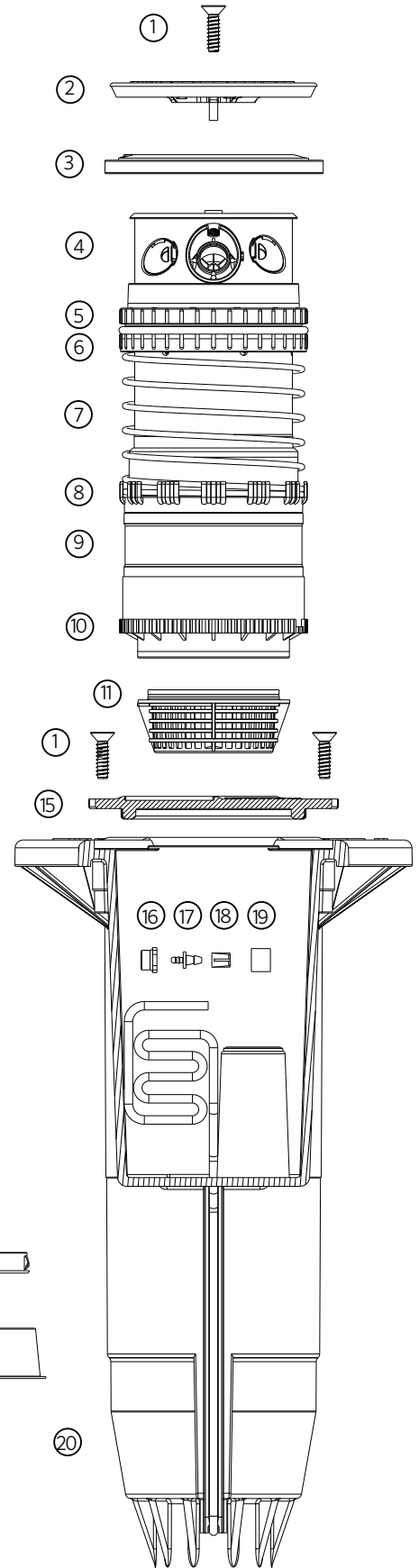
Item	Description	Code	AUD
1	Rubber Cover Screw (1 Required)	HI-351800	3.56
2	Rubber Cover Assembly Green	HI-208900	27.90
3	Body Cap Assembly	HI-525000	62.84
4	Retainer Cap Screws (2 Required)	HI-334000	2.61
5	Nozzle Retainer Screw (5 Required, not shown)	HI-333990	2.61
6	Retainer Cap - ALL	HI-197200	17.45
7	*Seal Block	HI-171710	22.71
8	*O-Ring Seal	HI-171600	11.74
9	*Retraction Spring	HI-171900	64.63
10	*Face Seal - Black	HI-406000	10.14
11	*Bumper - Gray	HI-171800	16.16
12	Riser Assembly (Includes #4-13)	HI-517800	628.12
13	Screen Assembly	HI-524600	41.88
14	Body	NPT HI-525100	87.24
		BSP HI-525105	87.24
15	Primary Nozzles -Sold in Bags of 25	#73 - Orange each HI-460012	587.28
		#83 - Tan each HI-464369	23.48
16	Nozzle Plug (Left Green) -Sold in Bags of 25	HI-195803	7.01
17	Nozzle Plug (Left Green) -Sold in Bags of 25	HI-195702	7.01

*Parts 7-11 are required for the new I-90 seal replacement kit



STG900: Gear-Driven Sprinkler

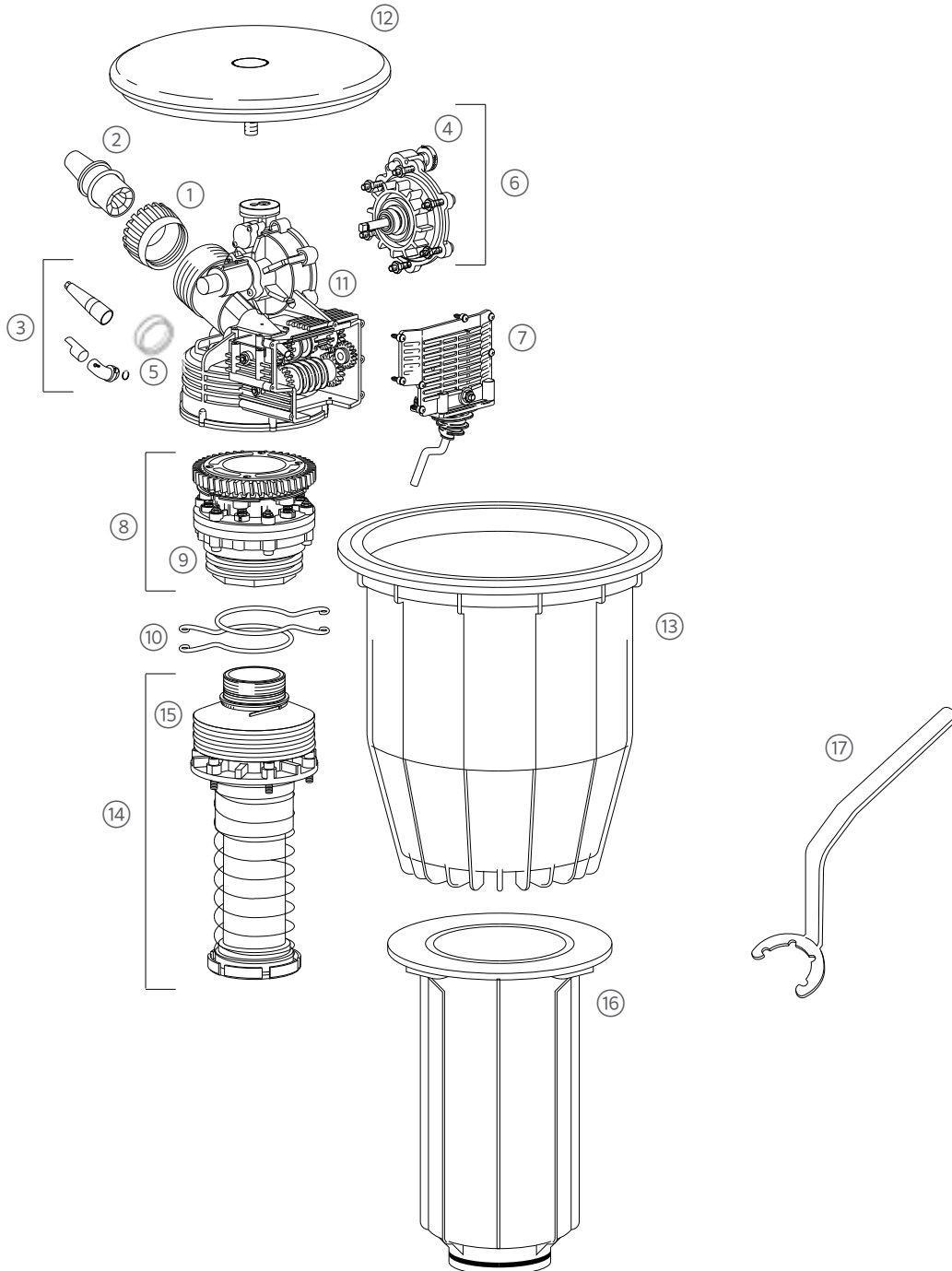
Item	Description	Code	AUD	
1	Screw - Logo Cap Retainer	HI-351800	3.56	
2	Rubber Logo Cap - (Green)	HI-242505	27.90	
3	Snap Ring Assy. - (Black)	HI-430700	17.33	
4	Screw - Nozzle Retainer (5 used)	HI-333900	2.61	
5	Seal Block	HI-171700	26.24	
6	O-Ring - Seal	HI-171600	11.74	
7	Spring - Riser Retraction	HI-171900	64.63	
8	Face Seal - Black	HI-406000	10.14	
9	Bumper - White	HI-171800	16.16	
10	Riser Assembly - (incl: items 4 - 11)	HI-517900	628.12	
11	Screen - Riser Inlet	HI-524600	41.88	
12	Primary Nozzles - Sold in Bags of 25	#73 - Black each	HI-460012	587.28
		#83 - Tan each	HI-464369	23.48
13	Nozzle Plug (Left, Green) - Sold in Bags of 25	HI-195802	7.01	
14	Nozzle Plug (Right, Green) - Sold in Bags of 25	HI-195702	7.01	
15	Lid - Flange Compartment	HI-493605	10.88	
16	Tube Retainer - 1/8" Tubing	HI-476000	2.27	
17	Connector - 1/4" x 1/8" Tubing	HI-402100	17.33	
18	Tube Plug - 1/4" Tubing	HI-052608	0.80	
19	Tube Retainer - 1/4" Tubing	HI-052610	1.78	
20	Body Assembly, STG-900 (incl: items 16 - 22)	HI-521000	279.18	
21	Cap, Protective - solenoid wire hole	HI-643900	3.23	
22	Cap, Protective	HI-456800	2.58	
23	STG-900 Snap Ring Tool	HI-251000	69.65	



ST1600HSB: Pop-Up & Gear Drive (illustration next page)

Item	Description	Code	AUD	
1	Retainer - Primary Nozzle	HI-502402	61.09	
2	Primary Nozzle Kit	#16 - Black	HI-784800	41.88
		#18 - Black	HI-784801	41.88
		#20 - Black	HI-784802	41.88
		#22 - Black	HI-784803	41.88
		#24 - Black	HI-784804	41.88
		#26 - Black	HI-784805	41.88
3	Secondary Nozzle Kit	Female-Threaded Nozzle with Elbow	HI-10005900	102.98
		Male-Threaded Nozzle	HI-10006100	87.24
4	Speed Control Knob	HI-510101	136.10	
5	Gearbox Cover	HI-502455	20.96	
6	Turbine Assembly Kit	HI-10006200	558.33	
7	Reversing Kit	HI-510164	680.49	
8	Turret Inlet Kit	HI-510167	2,076.33	
9	Threaded Rotor Inlet	HI-893600	331.52	
10	Arc Rings (2)	HI-205617	104.70	
11	Gear Drive Assembly	HI-881900	1,029.46	
12	Rotor Cover Kit	HI-204205	279.18	
13	Upper Body Kit	HI-502432	785.15	
14	Riser Assembly	HI-502432	785.15	
15	Rubber Boot	HI-502423	261.73	
16	Lower Body Kit	HI-502442	680.49	
17	Gear-Drive Removal/Installation Tool	HI-517600	151.57	

ST1600HSB: Pop-Up & Gear Drive

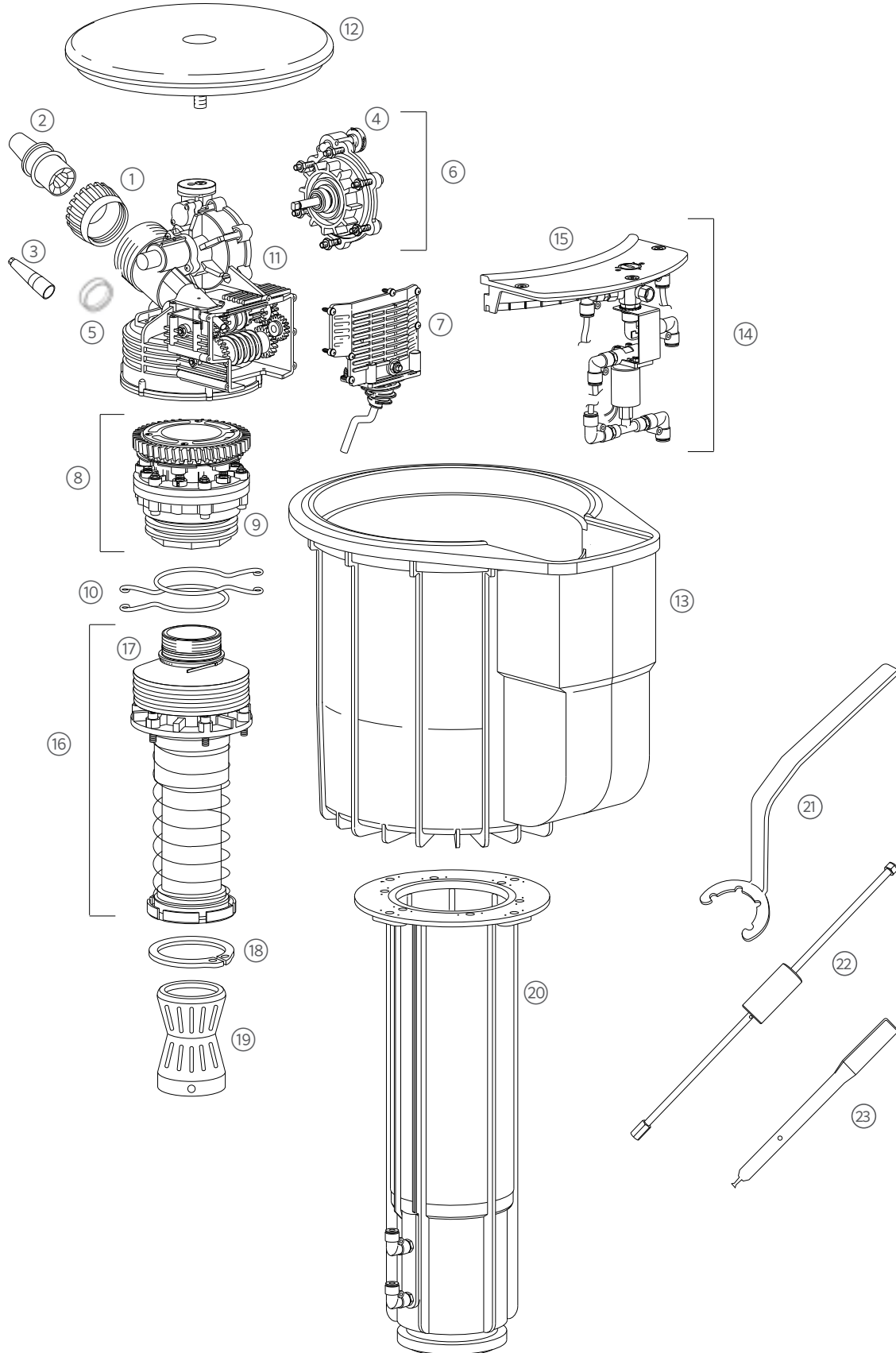


ST1700V: Valve-in-head Pop-up & Gear Drive (illustration next page)

Item	Description	Code	AUD	
1	Retainer - Primary Nozzle	HI-502402	61.09	
2	Nozzles - Primary (each)	#16 - Black	HI-784800	41.88
		#18 - Black	HI-784801	41.88
		#20 - Black	HI-784802	41.88
		#22 - Black	HI-784803	41.88
		#24 - Black	HI-784804	41.88
3	Secondary Nozzle Kit	HI-10006100	87.24	
4	Speed Control Knob	HI-510101	136.10	
5	Gearbox Cover	HI-502455	20.96	
6	Turbine Assembly Kit	HI-10006200	558.33	
7	Reversing Kit	HI-510164	680.49	
8	Turret Inlet Kit	HI-510167	2,076.33	
9	Threaded Rotor Inlet	HI-893600	331.52	
10	Arc Rings (2)	HI-205617	104.70	
11	Gear Drive Assembly	HI-881900	1,029.46	
12	Rotor Cover Kit	HI-204205	279.18	
13	Upper Body Kit	HI-10006300	785.15	
14	Solenoid Actuator Kit	HI-10006400	750.27	
15	Actuator Cover	HI-10006500	99.72	
16	Riser Assembly	HI-502436	1,727.36	
17	Rubber Boot	HI-502423	261.73	
18	Snap Ring	HI-10006600	24.43	
19	Valve-In-Head	HI-10006700	1,454.02	
20	Lower Body Kit	HI-10006800	1,012.83	
21	Gear Drive Removal/Installation Tool	HI-517600	151.57	
22	Valve-in-Head Removal Tool	HI-10000100	253.82	
23	Snap Ring Removal Tool	HI-251000	69.65	

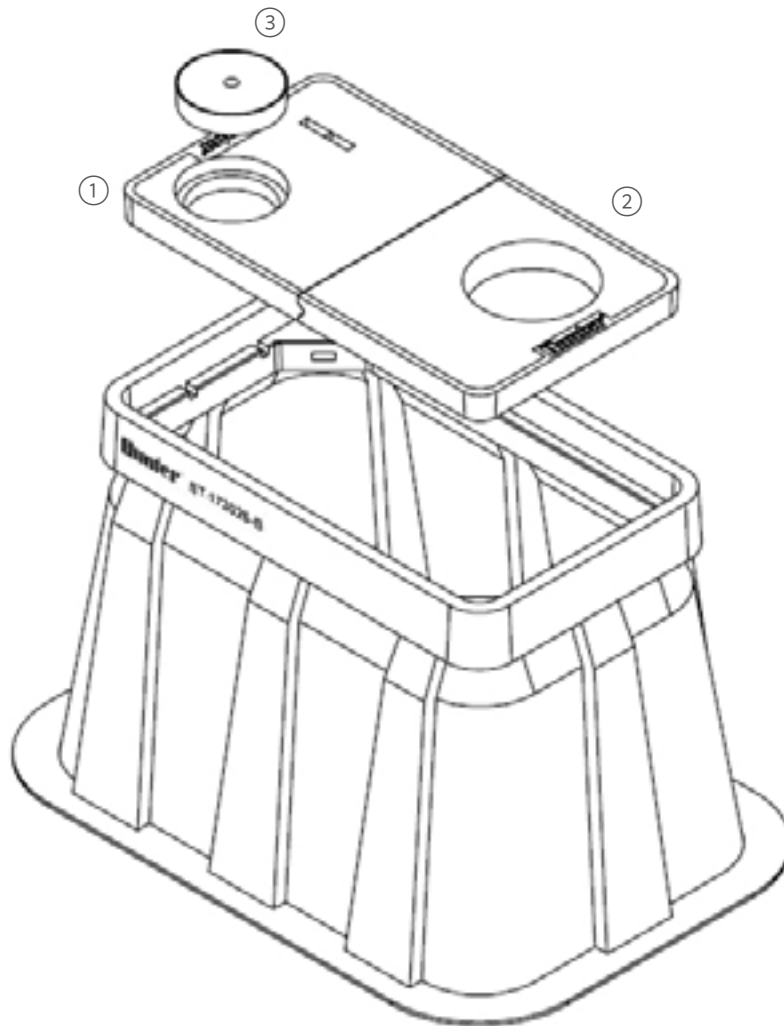
Illustration on next page

ST1700V: Valve-in-head Pop-up & Gear Drive



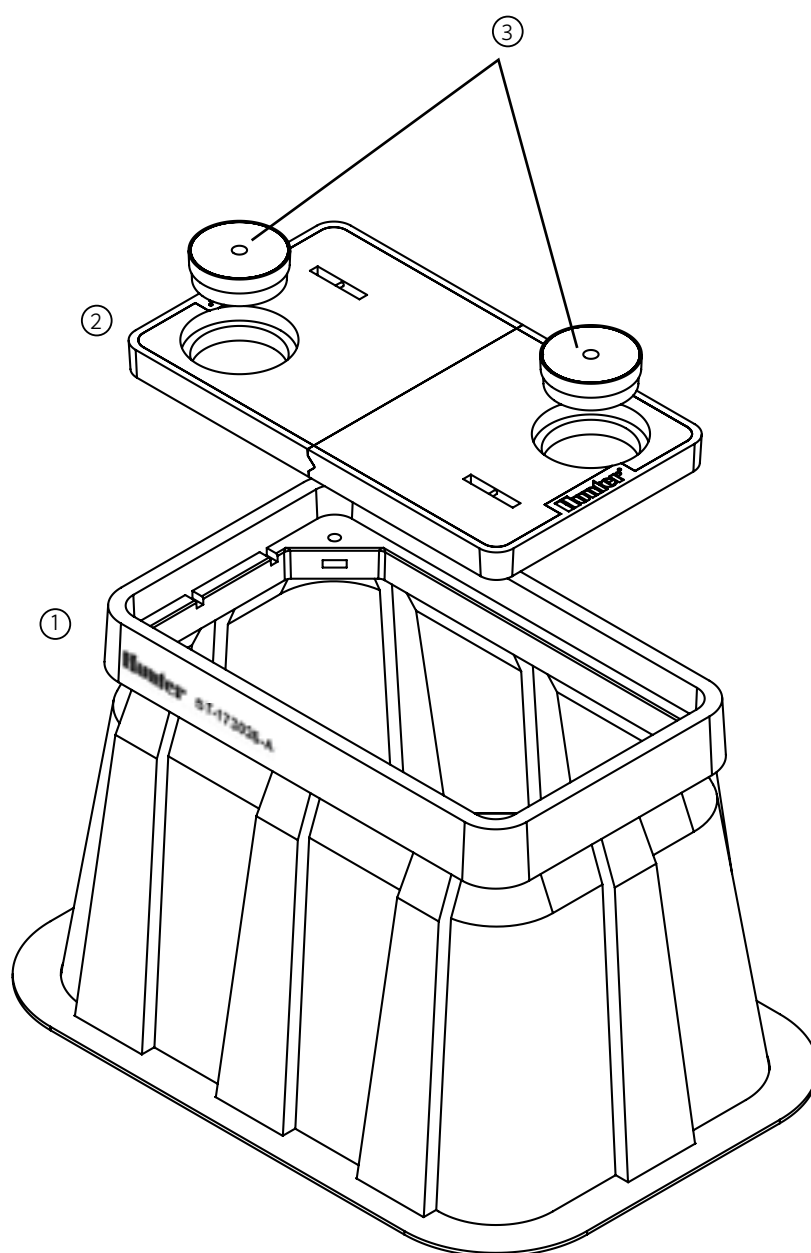
ST-173026-B Vault

Item	Description	Code	AUD
①	Cover -Half -Circular Cover Side	HI-953600	1,954.98
②	Cover - Half - Rotor Side	HI-953800	1,954.98
③	Cover Circular - Small	HI-910400	826.39



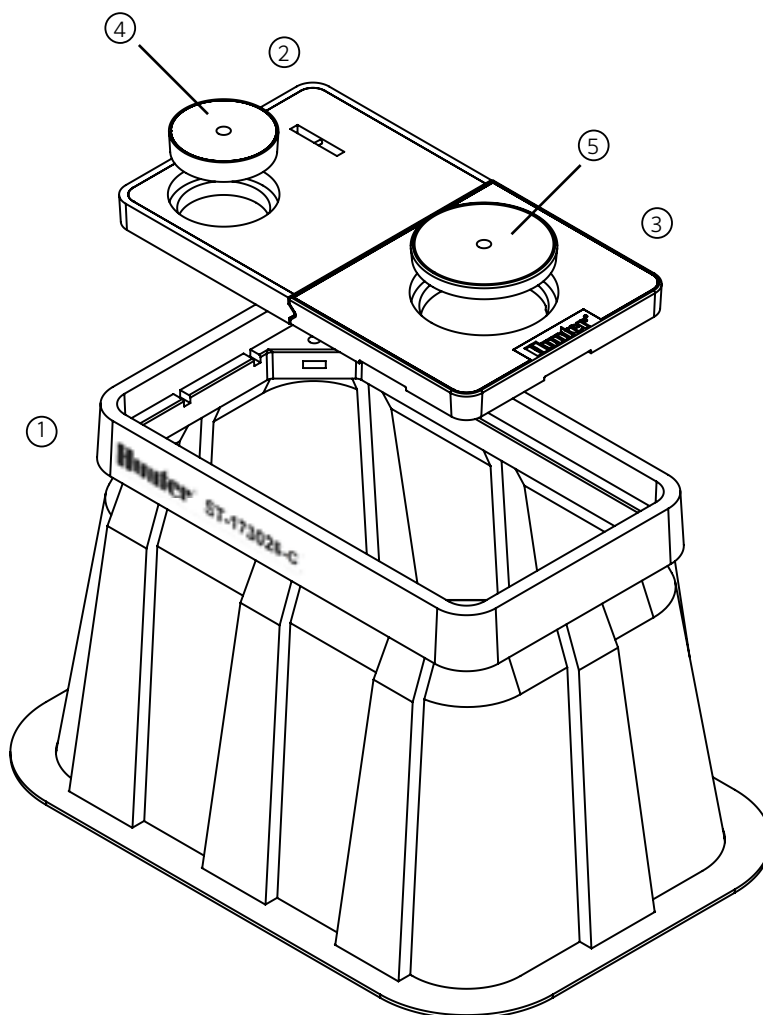
ST-173026-A Vault

Item	Description	Code	AUD
①	Body - Shell - 17 x 30 x 26	HI-953300	2,181.00
②	Cover -Half -Circular Cover Side	HI-953600	1,954.98
③	Cover Circular - Small	HI-910400	826.39



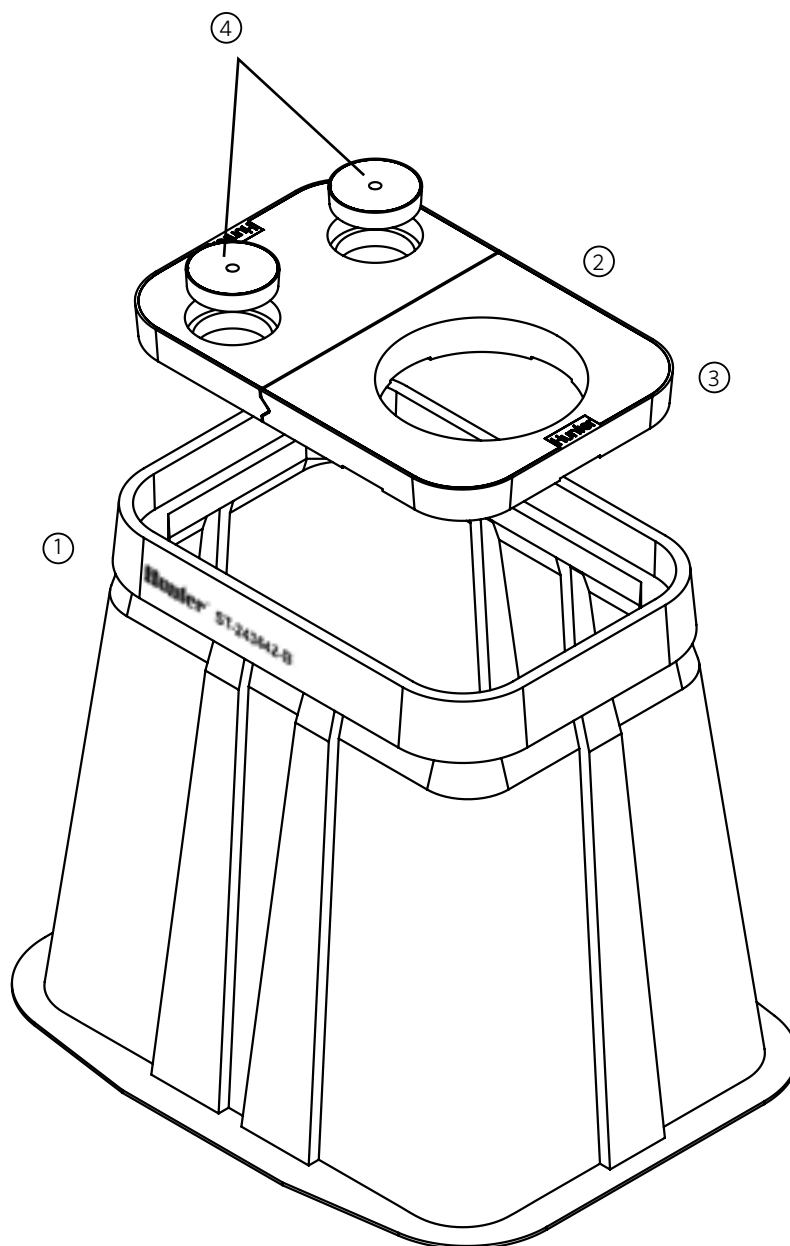
ST-173026-C Vault

Item	Description	Code	AUD
①	Body - Shell - 17 x 30 x 26	HI-953300	2,181.00
②	Cover -Half -Small Circular Cover Side	HI-953600	1,954.98
③	Cover - Half - Large Circular Cover Side	HI-953700	785.15
④	Cover Circular - Small	HI-910400	826.39
⑤	Cover Circular - Large	HI-953900	436.18



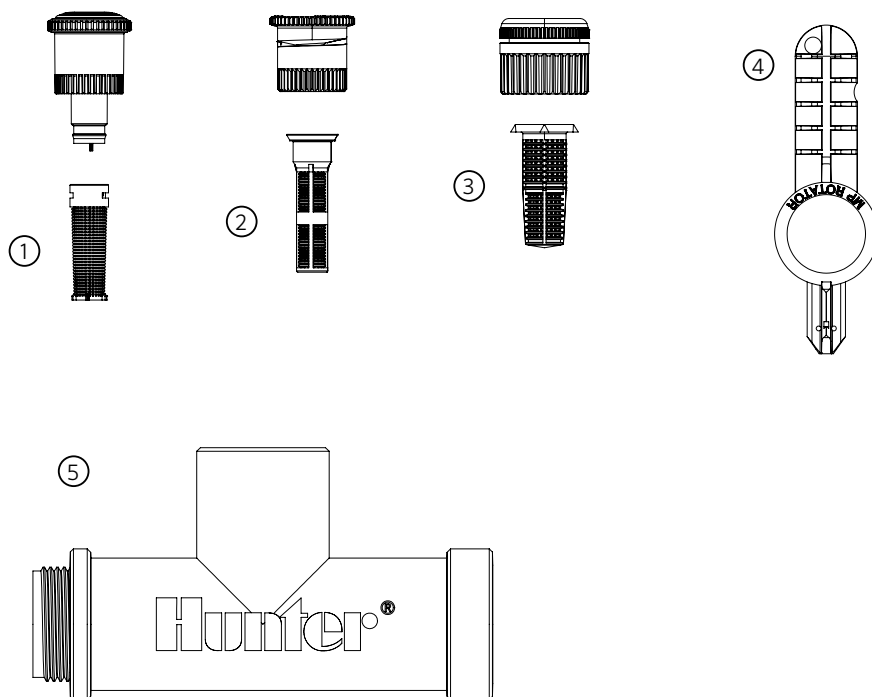
ST-243642-B Vault

Item	Description	Code	AUD
①	Body - Shell - 24 x 36 x 36	HI-953400	4,344.58
②	Cover - Half -Circular Cover Side	HI-916200	3,065.75
③	Cover - Half - Rotor Side	HI-916100	3,065.75
④	Cover - Circular - Small	HI-910400	826.39



MP Rotator & Spray Nozzles

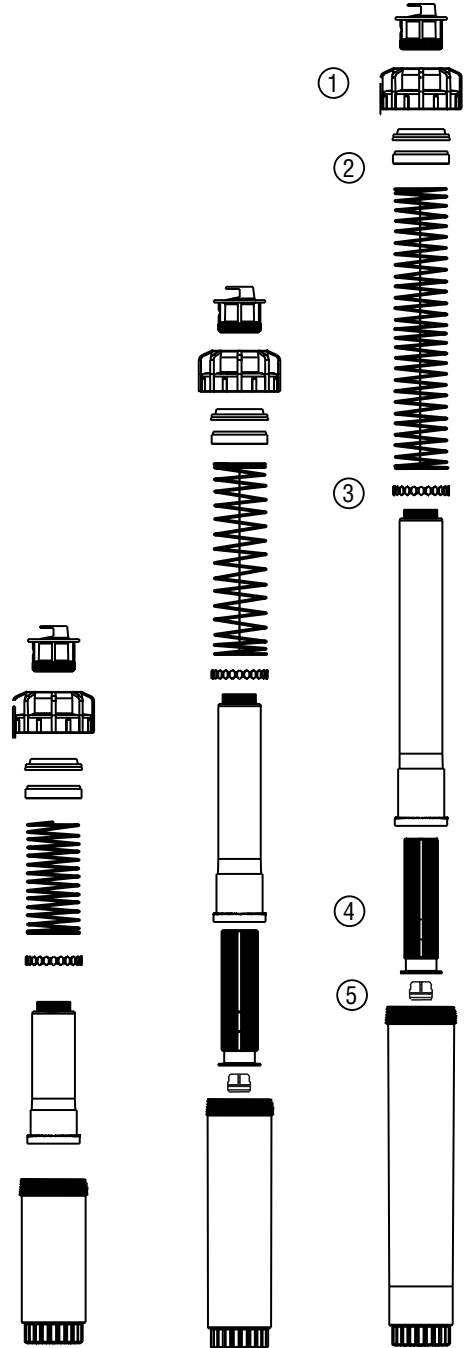
Item	Description		Code	AUD
①	MP Rotator Filter Screen	Very fine - MP800SR90	HI-MP8SCREEN	0.64
		Fine - MP800SR360, MP815, MP1000, MP2000, MPSS, MPCorner	HI-MPFSCREEN	0.64
		Coarse - MP3000, MP3500	HI-MPCSCREEN	0.64
②	Spray Nozzle Filter Screen Sold in Bags of 25	Fine - gray filter screen	HI-464716	11.50
		Coarse - black filter screen	HI-464717	11.50
③	Bubbler Filter Screen		HI-207700	14.50
④	MP Adjustment Tool		HI-MPTOOL	3.87
⑤	Pressure Gauge Adapter		HI-MPADAPTER	6.74
	Pressure Gauge With Adapter		HI-MPGAUGE	130.65



PSU02, 04, 06: PS Ultra Spray Sprinklers

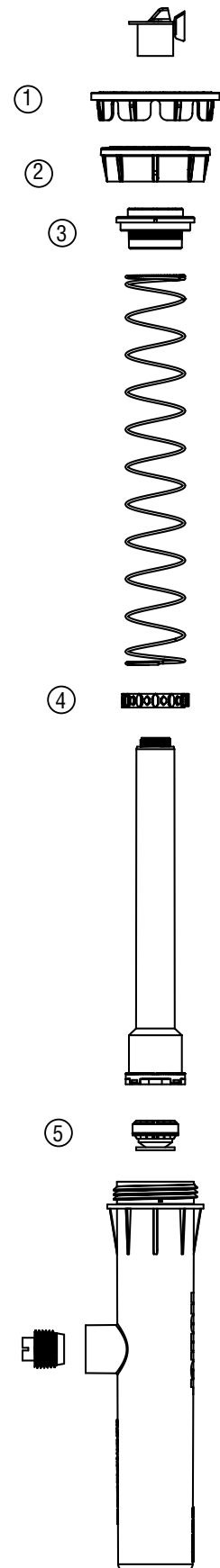
Item	Description	Code	AUD
①	Body Cap Standard (Black)	HI-162600	3.17
②	Spring Seat	HI-181100	3.17
③	Ratchet Ring	HI-162700	1.60
④	Filter Screen (4" and 6" models only)	HI-162900	2.37
⑤	Check Valve Assembly	HI-462237	58.79*
	Spray nozzle filter screen Fine mesh (grey)	HI-464716	11.50
	Coarse mesh (black)	HI-464717	11.50

*Bag of 25



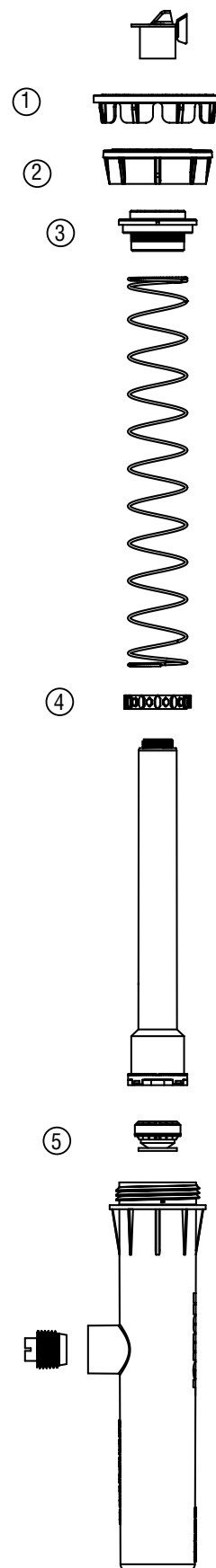
PROS02, 03, 04, 06, 12: Pro-Spray Sprinklers

Item	Description	Code	AUD
①	Snap-On Reclaimed Cap Purple	HI-PROSRCCAP	4.74
②	Body Cap	Standard (Black)	HI-458500 4.30
		With Check Valve ID (Black)	HI-458505 4.70
		Reclaimed Body Cap (Purple)	HI-458520 10.33
		Reclaimed w/ Check Valve ID (Purple)	HI-458525 10.33
		Pro Spray Shut Off Cap	HI-213600 25.90
③	Riser Seal	HI-472300	3.60
④	Ratchet Ring	HI-629300	1.94
⑤	Check Valve Assembly	HI-437400	2.60



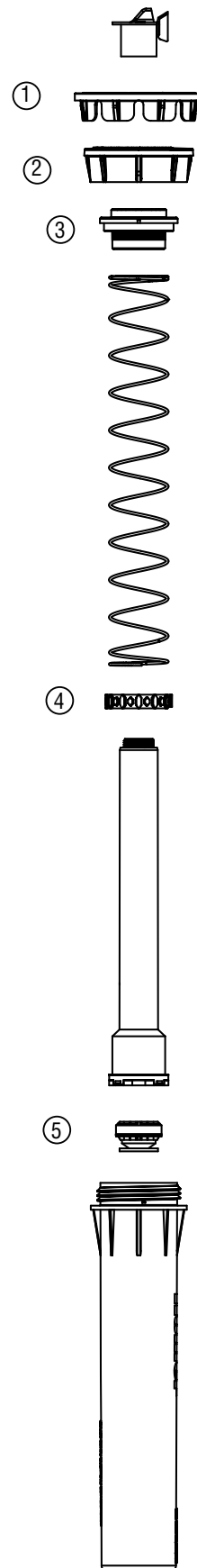
PRS30-04, 06, 12: Pro-Spray Pressure-Regulated Spray Bodies

Item	Description	Code	AUD	
①	Snap-On Reclaimed Cap	HI-PROSRCCAP	4.74	
②	Body	Standard (Brown)	HI-458551	4.70
		With Check Valve ID (Brown)	HI-458554	4.70
		Reclaimed Body Cap w/ Check Valve ID (Purple)	HI-458560	10.33
		Pro Spray Shut Off Cap	HI-213600	25.90
③	Riser Seal	HI-472300	3.60	
④	Ratchet Ring	HI-629300	1.94	
⑤	Check Valve Assembly	HI-437400	2.60	



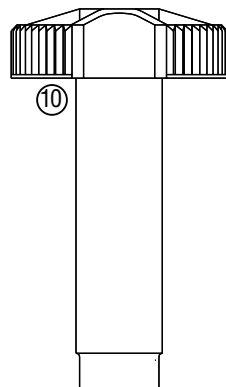
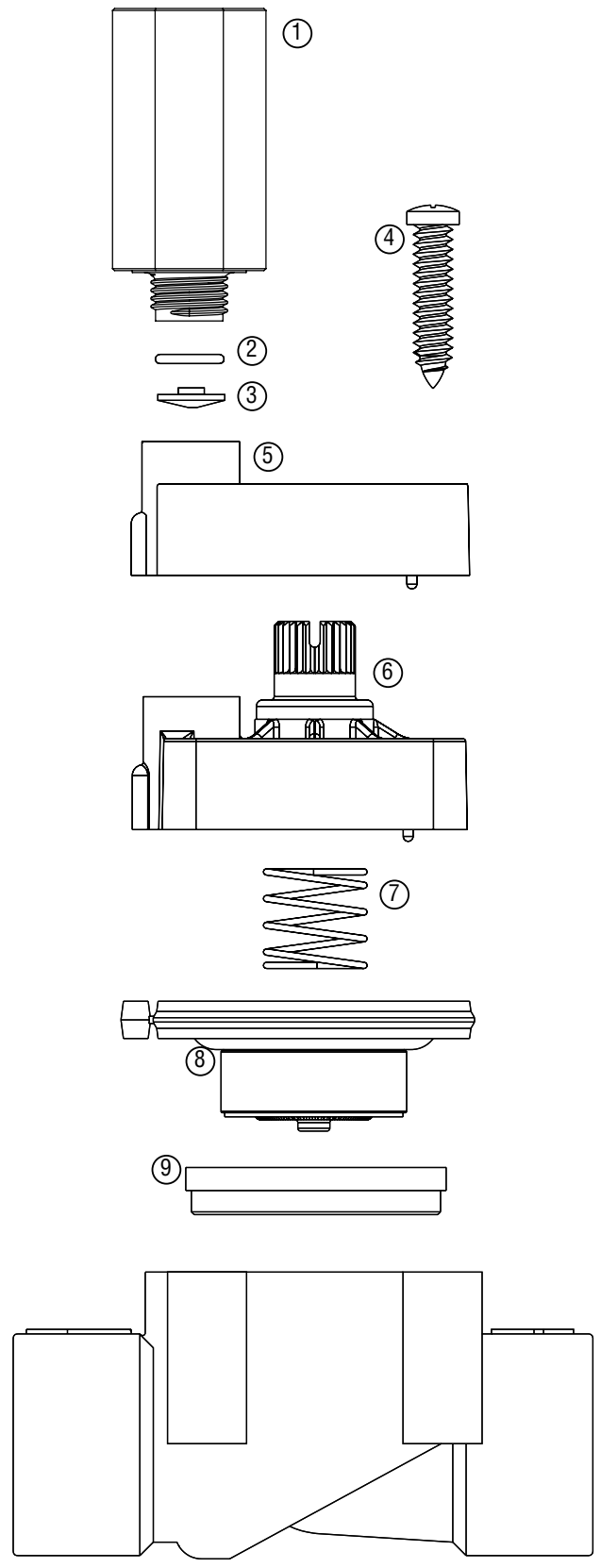
PRS40-04CV, 06CV, 12CV: Pro-Spray Pressure-Regulated Spray Bodies

Item	Description	Code	AUD
①	Snap-On Reclaimed Cap Purple	HI-PROSRCCAP	4.74
②	Body Cap	Standard (Grey) w/Check Valve ID	3.52
		Reclaimed w/Check Valve ID (Purple)	10.33
		Pro Spray Shut Off Cap	25.90
③	Riser Seal	HI-472300	3.60
④	Ratchet Ring	HI-629300	1.94
⑤	Check Valve Assembly	HI-437400	2.60



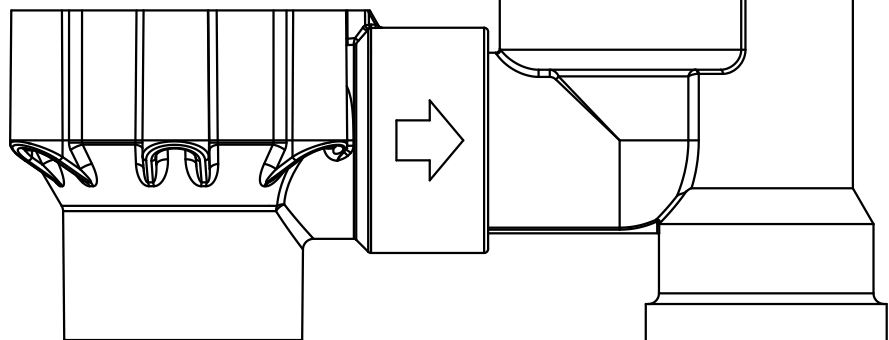
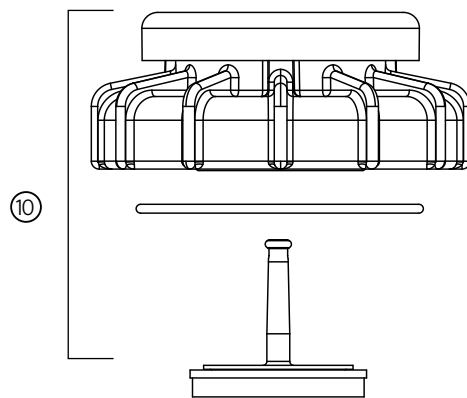
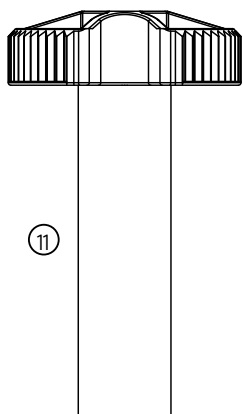
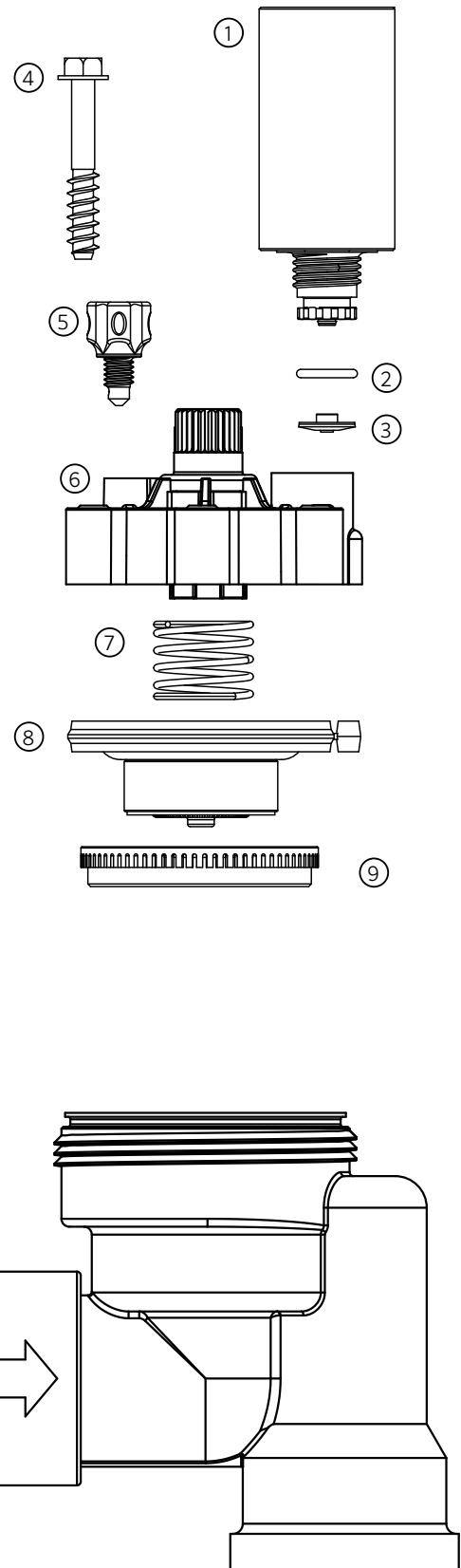
SRV: Plastic Valve

Item	Description		Code	AUD
①	Solenoid Assembly (Includes Part 2 & 3)	AC Solenoid	HI-606800	39.51
		DC Solenoid	HI-458200	66.31
②	O-Ring		HI-262600	3.47
③	Solenoid Seal		HI-364400	3.66
④	Bonnet Screw		HI-427300	5.01
⑤	Bonnet without Flow Control		HI-556100	41.88
⑥	Bonnet with Flow Control		HI-556000	55.84
⑦	Diaphragm Spring		HI-266000	5.25
⑧	Diaphragm Assembly		HI-332100	39.89
⑨	Diaphragm Support Ring		HI-331300	3.32
⑩	Flow Control Handle	Black	HI-269200	7.01



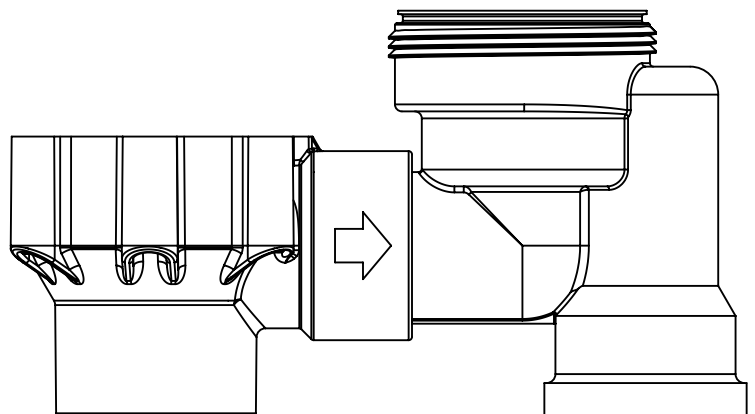
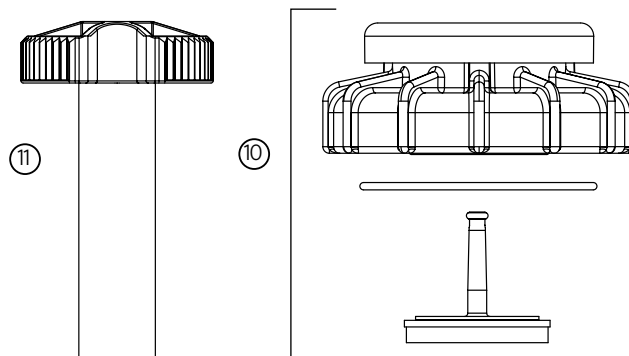
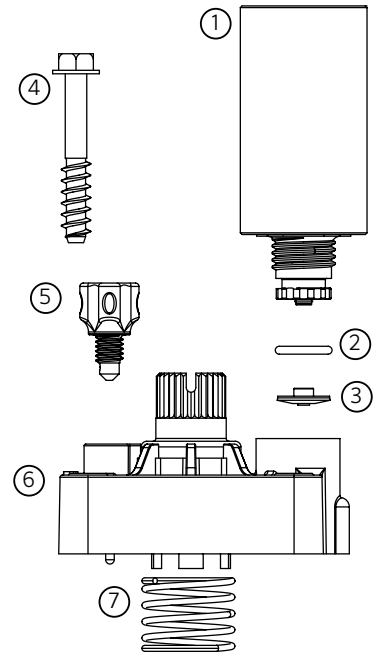
PGV-ASV: Plastic Valve (6-Bolt Bonnet Design)

Item	Description		Code	AUD
①	Solenoid Assembly (Includes Part 2 & 3)	AC Solenoid	HI-606800	39.51
		DC Solenoid	HI-458200	66.31
②	O-Ring		HI-262600	3.47
③	Solenoid Seal		HI-364400	3.66
④	Bonnet Screw		HI-427300	5.01
⑤	Bonnet without Flow Control		HI-546700	3.47
⑥	Bonnet with Flow Control		HI-187100	50.64
⑦	Diaphragm Spring		HI-266000	5.25
⑧	Diaphragm Assembly		HI-332100	39.89
⑨	Diaphragm Support Ring		HI-331300	3.32
⑩	AVB/ASV Repair Kit	¾"	HI-590307	19.02
		1"	HI-590306	20.74
⑪	Flow Control Handle	Black	HI-269200	7.01
		Purple	HI-269205	7.78



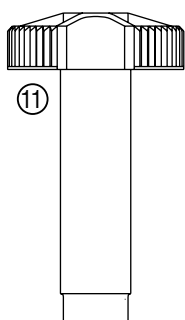
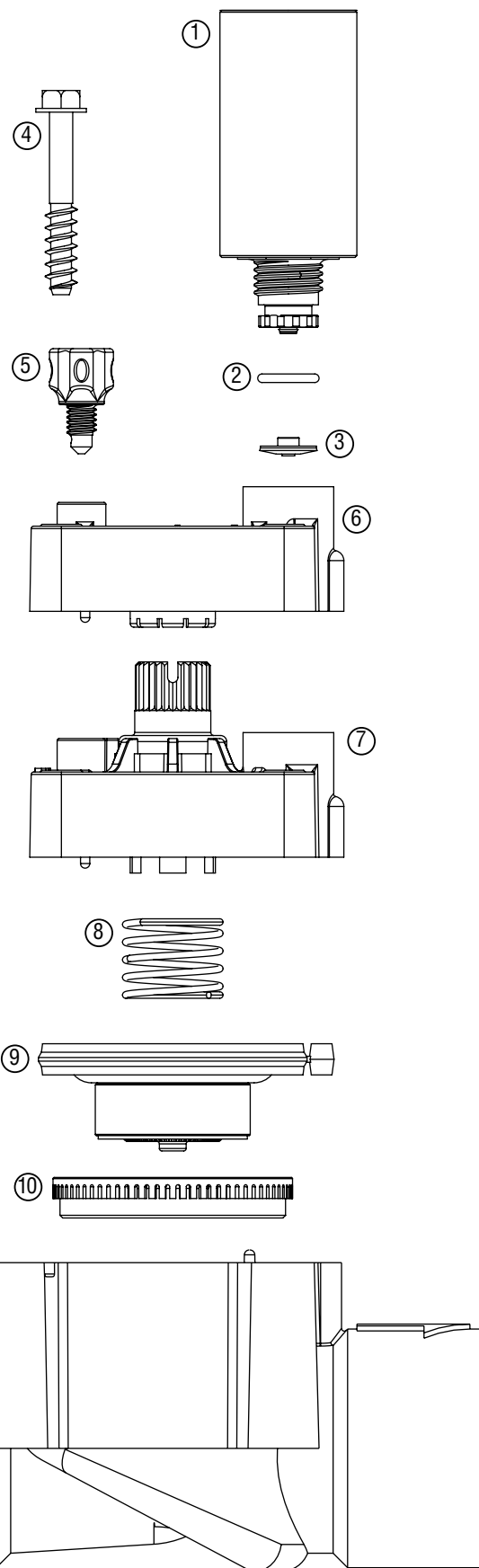
PGV-ASV: Plastic Valve (4-Bolt Bonnet Design)

Item	Description		Code	AUD
①	Solenoid Assembly (Includes Part 2 & 3)	AC Solenoid	HI-606800	39.51
		DC Solenoid	HI-458200	66.31
②	O-Ring		HI-262600	3.47
③	Solenoid Seal		HI-364400	3.66
④	Bonnet Screw		HI-427300	5.01
⑤	Bleed Screw		HI-546700	3.47
⑥	Bonnet with Flow Control & bleed Screw		HI-556000	55.84
⑦	Diaphragm Spring		HI-266000	5.25
⑧	Diaphragm Assembly		HI-332100	39.89
⑨	Diaphragm Support Ring		HI-331300	3.32
⑩	AVB/ASV Repair Kit	¾"	HI-590307	19.02
		1"	HI-590306	20.74
⑪	Flow Control Handle	Black	HI-269200	7.01
		Purple	HI-269205	7.78



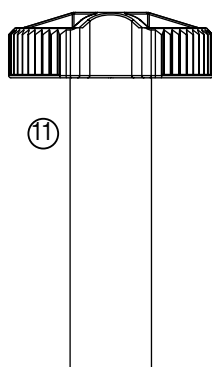
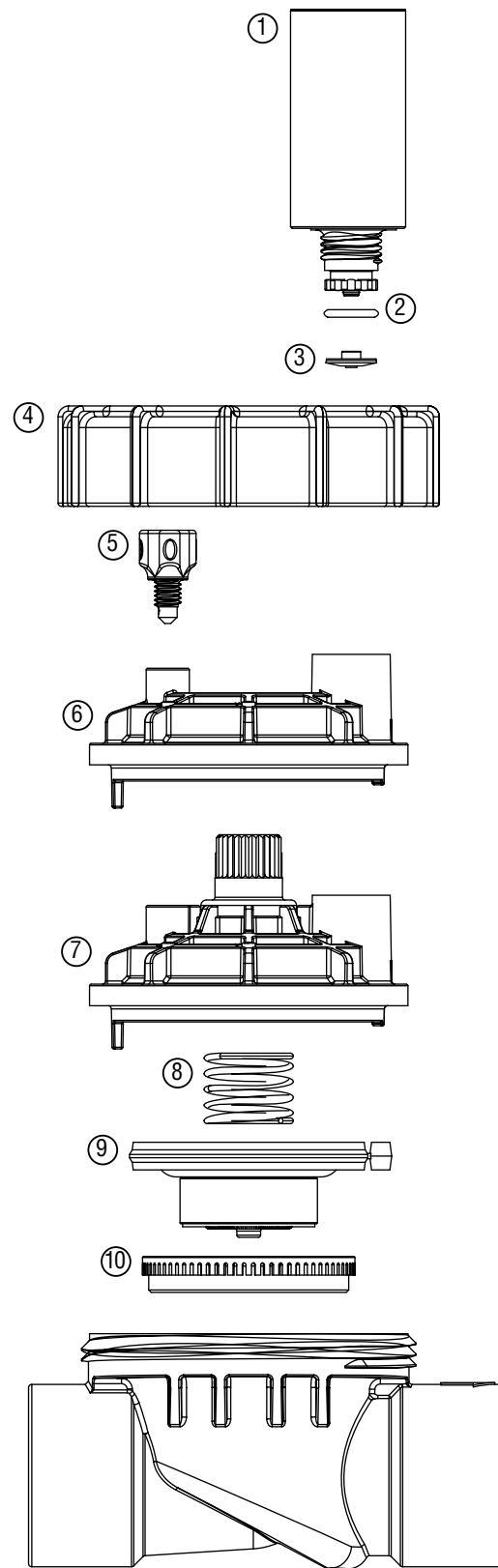
PGV-100G, 101G: Plastic Valves

Item	Description		Code	AUD
①	Solenoid Assembly (Includes Part 2 & 3)	AC Solenoid	HI-606800	39.51
		DC Solenoid	HI-458200	66.31
②	O-Ring		HI-262600	3.47
③	Solenoid Seal		HI-364400	3.66
④	Bonnet Screw		HI-427300	5.01
⑤	Bleed Screw		HI-546700	3.47
⑥	Bonnet without Flow Control with bleed Screw		HI-556100	41.88
⑦	Bonnet with Flow Control & bleed Screw		HI-556000	55.84
⑧	Diaphragm Spring		HI-266000	5.25
⑨	Diaphragm Assembly		HI-332100	39.89
⑩	Diaphragm Support Ring		HI-331300	3.32
⑪	Flow Control Handle	Black	HI-269200	7.01
		Purple	HI-269205	7.78



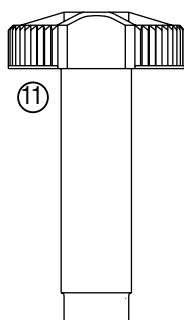
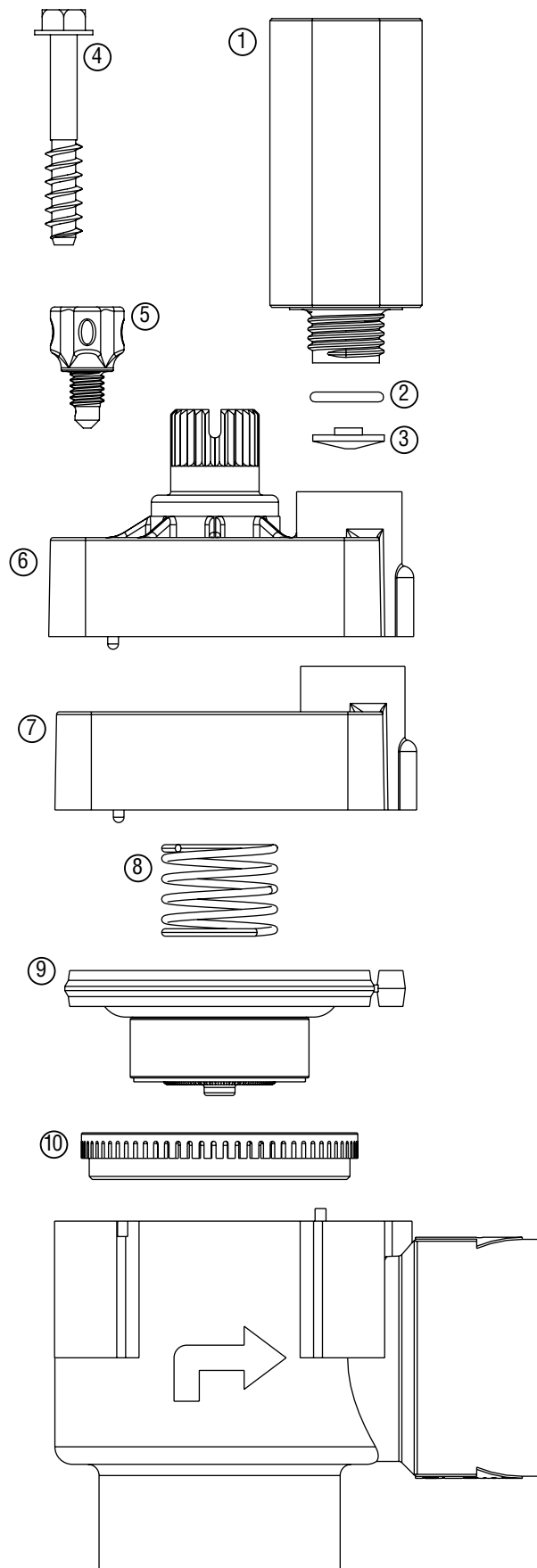
PGV Jar-Top: Plastic Valves

Item	Description		Code	AUD
①	Solenoid Assembly (Includes Part 2 & 3)	AC Solenoid	HI-606800	39.51
		DC Solenoid	HI-458200	66.31
②	O-Ring		HI-262600	3.47
③	Solenoid Seal		HI-364400	3.66
④	Bonnet Ring		HI-476100	17.45
⑤	Bleed Screw		HI-546700	3.47
⑥	Bonnet Assembly (No Flow Control)		HI-476700	41.88
⑦	Bonnet Assembly (With Flow Control)		HI-476800	55.84
⑧	Diaphragm Spring		HI-266000	5.25
⑨	Diaphragm Assembly		HI-332100	39.89
⑩	Diaphragm Support Ring		HI-331300	3.32
⑫	Flow Control Handle	Black	HI-269200	7.01
		Purple	HI-269205	7.78



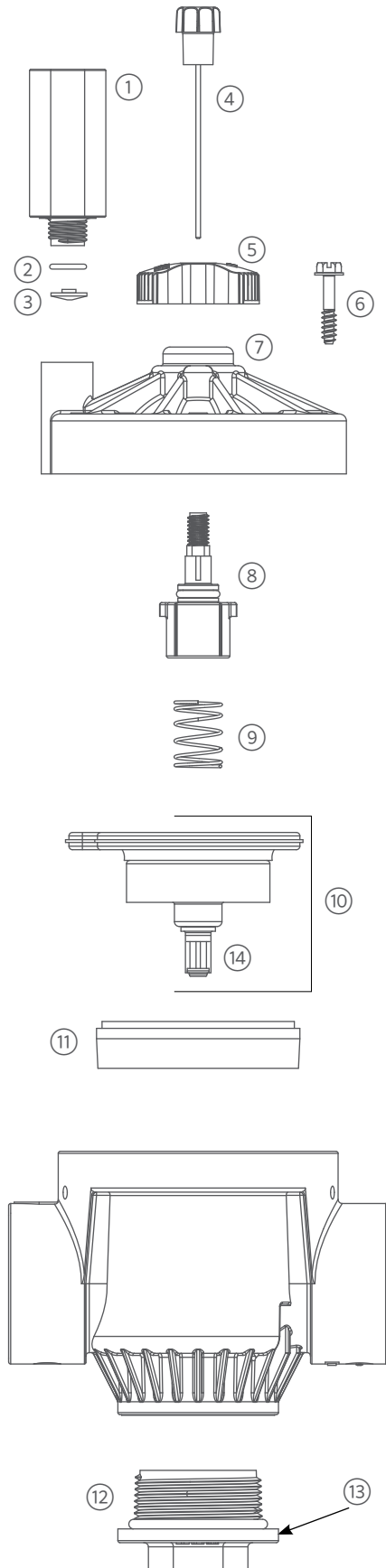
PGV-100A, 101A: Plastic Valves

Item	Description		Code	AUD
①	Solenoid Assembly (Includes Part 2 & 3)	AC Solenoid	HI-606800	39.51
		DC Solenoid	HI-458200	66.31
②	O-Ring		HI-262600	3.47
③	Solenoid Seal		HI-364400	3.66
④	Bonnet Screw		HI-427300	5.01
⑤	Bleed Screw		HI-546700	3.47
⑥	Bonnet with Flow Control & Bleed Screw		HI-556000	55.84
⑦	Bonnet without Flow Control w/ Bleed Screw		HI-556100	41.88
⑧	Diaphragm Spring		HI-266000	5.25
⑨	Diaphragm Assembly		HI-332100	39.89
⑩	Diaphragm Support Ring		HI-331300	3.32
⑪	Flow Control Handle	Black	HI-269200	7.01
		Purple	HI-269205	7.78



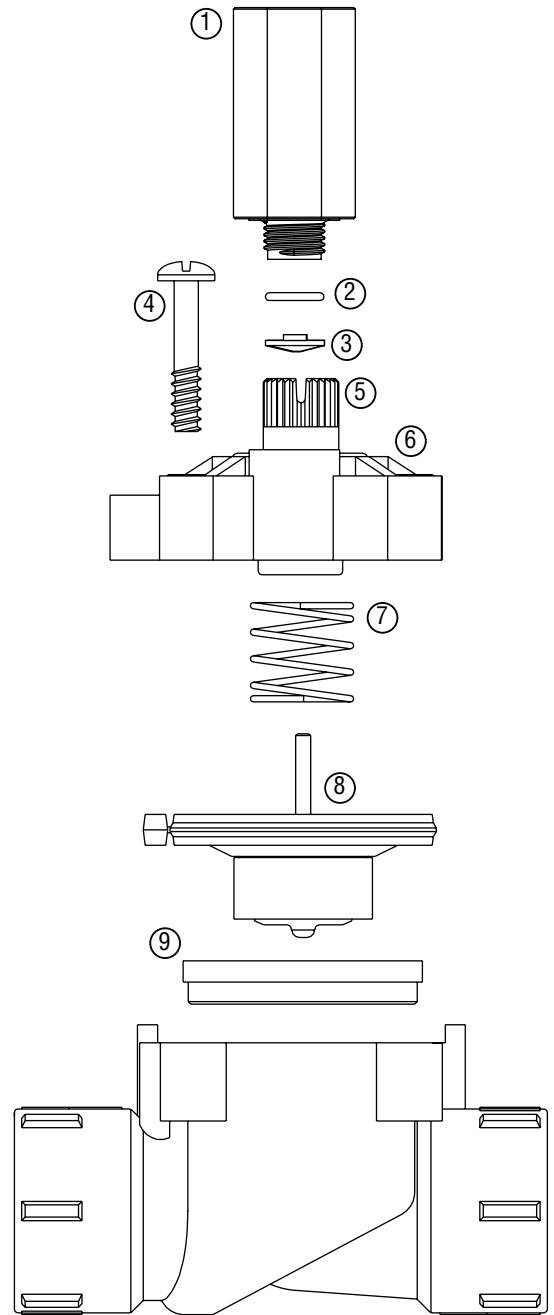
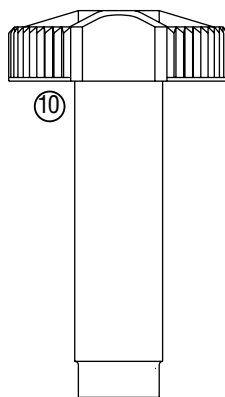
PGV-151, 201: Plastic Valves

Item	Description		Code	AUD
①	Solenoid Assembly (Includes Part 2 & 3)	AC Solenoid	HI-606800	39.51
		DC Solenoid	HI-458200	66.31
②	O-Ring		HI-262600	3.47
③	Solenoid Seal		HI-364400	3.66
④	Bleed Screw Assembly 40 mm (1½")		HI-427000	20.96
	Bleed Screw Assembly 50 mm (2")		HI-427100	20.96
⑤	Flow Control Handle	Black	HI-607100	7.01
		Purple	HI-607105	5.25
⑥	Bonnet Screw		HI-472800	5.25
⑦	Bonnet	40 mm	HI-414000	69.79
		50 mm	HI-415500	86.41
⑧	Flow Control Stem Assembly (Includes stem, stem nut, O-Ring)	40 mm	HI-414000	69.79
		50 mm	HI-415500	86.41
⑨	Spring	40 mm	HI-412300	7.01
		50 mm	HI-414200	8.73
⑩	Diaphragm Assembly	40 mm	HI-414100	69.79
		50 mm	HI-415600	97.72
⑪	Diaphragm Support	40 mm	HI-413100	7.01
		50 mm	HI-414800	13.95
⑫	Body Plug without O-Ring	40 mm NPT	HI-413800	27.90
		40mm BSP	HI-413805	27.90
		50 mm NPT	HI-415300	41.88
		50 mm BSP	HI-415305	41.88
⑬	Plug O-Ring	40 mm	HI-413900	3.47
		50 mm	HI-415400	7.01
⑭	Diaphragm Filter Screen	40 & 50 mm	HI-386600	--



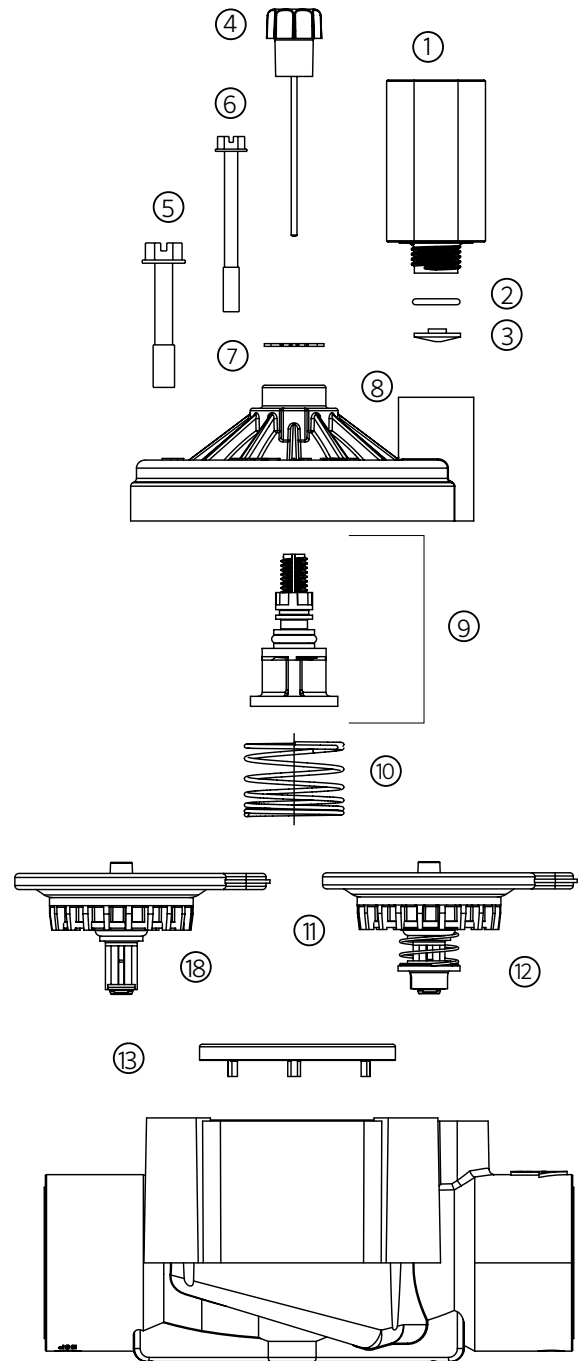
HPV: Plastic Valve

Item	Description		Code	AUD
①	Solenoid Assembly (Includes Part 2 & 3)	AC Solenoid	HI-606800	39.51
		DC Solenoid	HI-458200	66.31
②	O-Ring		HI-262600	3.47
③	Solenoid Seal		HI-364400	3.66
④	Bonnet Screw		HI-266100	CALL
⑤	Bonnet with Flow Control		UNAVAILABLE	
⑥	Bonnet without Flow Control		HI-266602	41.88
⑦	Diaphragm Spring		HI-266000	5.25
⑧	Diaphragm Assembly		HI-266902	55.84
⑨	Diaphragm Support Ring		HI-265000	3.47
⑩	Flow Control Handle	Black	HI-269200	7.01
		Purple	HI-269205	7.78



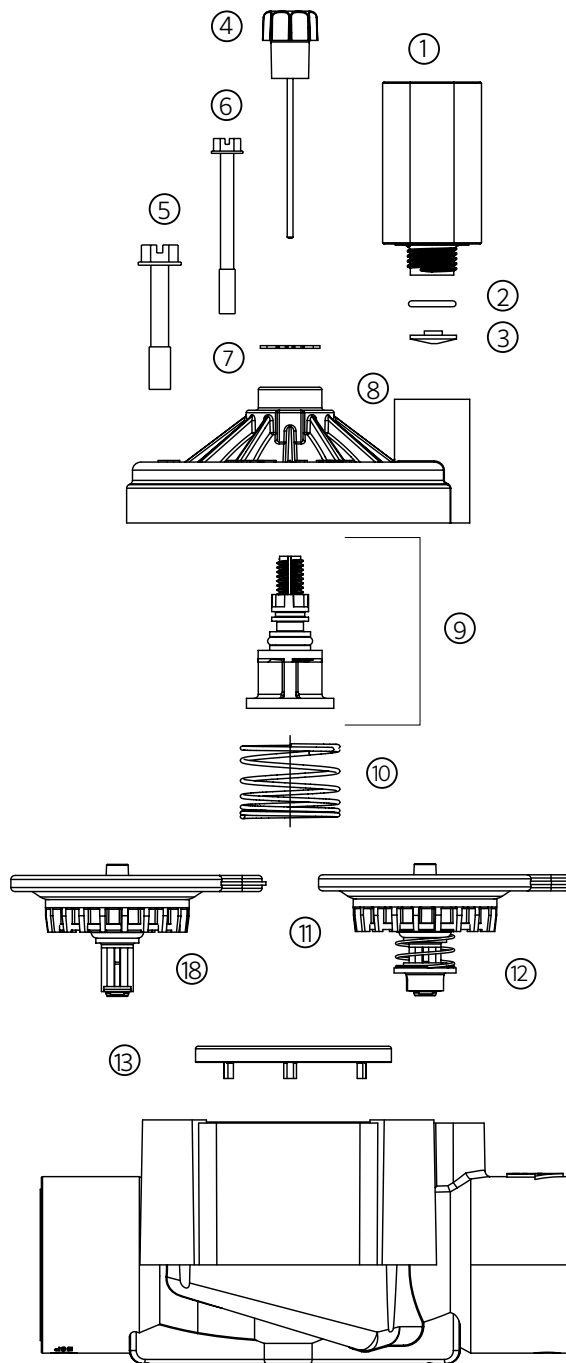
ICV-101G: Plastic Valves

Item	Description		Code	AUD
①	Solenoid Assembly (Includes Part 2 & 3)	AC Solenoid	HI-606800	39.51
		DC Solenoid	HI-458200	66.31
②	O-Ring		HI-262600	3.47
③	Solenoid Seal		HI-364400	3.66
④	Bleed Assembly		HI-561400	20.96
⑤	Bonnet Bolt		HI-386900	8.73
⑥	Flow Control Knob	Black	HI-561200	7.01
		Purple	HI-561205	5.25
⑦	E-Clip Retainer		HI-387200	3.47
⑧	Bonnet		HI-387700	174.48
⑨	Flow Control Stem Assembly (Includes stem, stem nut, O-Ring)		HI-387900	34.91
⑩	Spring		HI-386700	5.25
⑪	Diaphragm Assembly – Standard		HI-387800	76.79
⑫	Diaphragm Assembly with Filter Sentry Mechanism		HI-461503	138.25
⑬	Diaphragm Support Ring		HI-711900	3.47



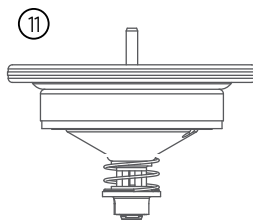
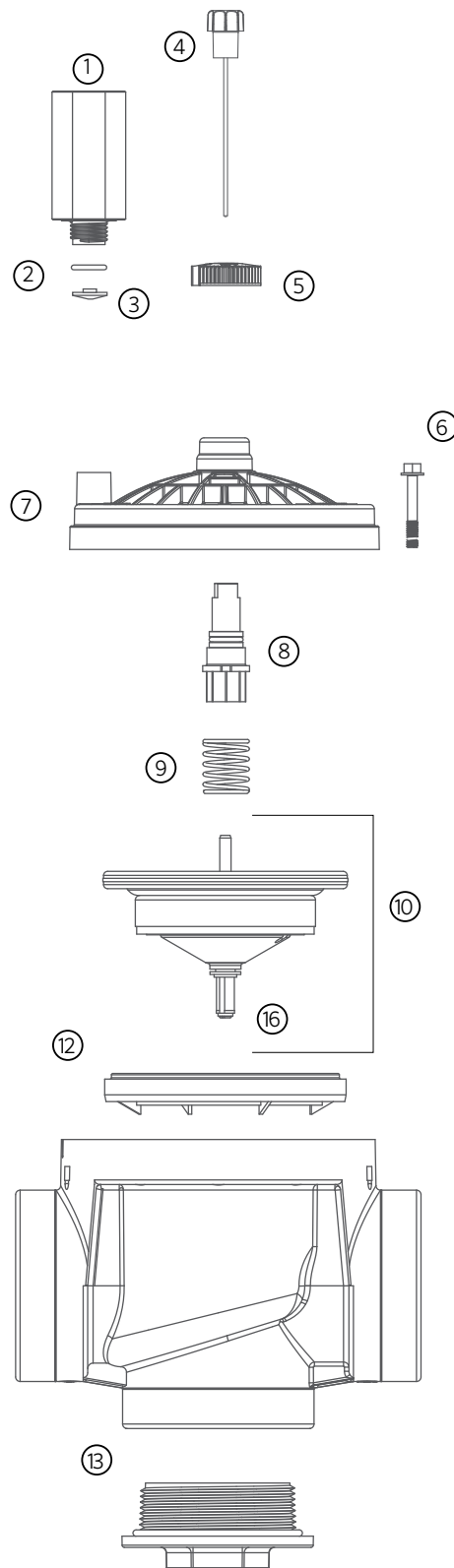
ICV-151G & 201G: Plastic Valves

Item	Description		Code	AUD
①	Solenoid Assembly (Includes Part 2 & 3)	AC Solenoid	HI-606800	39.51
		DC Solenoid	HI-458200	66.31
②	O-Ring		HI-262600	3.47
③	Solenoid Seal		HI-364400	3.66
④	Bleed Assembly		HI-561500	20.96
⑤	Bonnet Bolt		HI-366700	17.45
⑥	Flow Control Handle	Black	HI-561200	7.01
		Purple	HI-561205	5.25
⑦	E-Clip Retainer		HI-371600	3.66
⑧	Bonnet		HI-380600	293.78
⑨	Flow Control Stem Assembly (Includes stem, stem nut, O-Ring)		HI-374600	52.36
⑩	Spring		HI-365400	13.95
⑪	Diaphragm Assembly – Standard		HI-460026	104.70
⑫	Diaphragm Assembly with Filter Sentry Mechanism		HI-460027	172.83
		Diaphragm Assembly, Reclaimed	HI-676902	241.94
⑬	Diaphragm Support Ring		HI-365900	13.95



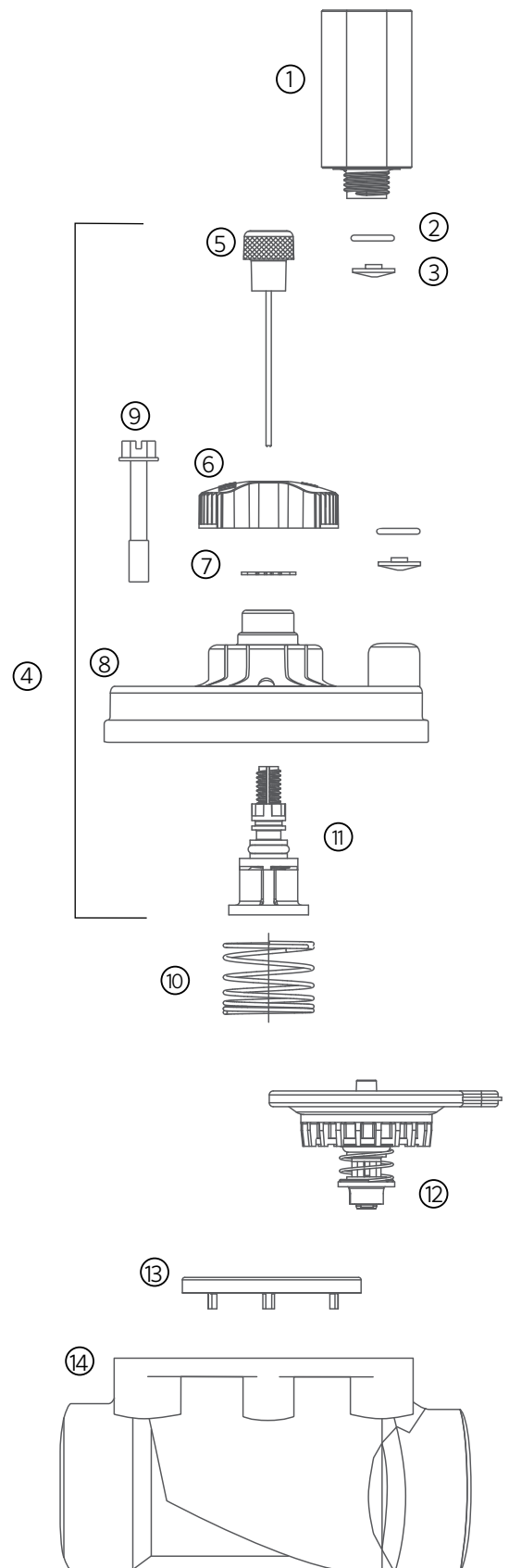
ICV-301: Plastic Valves

Item	Description		Code	AUD
①	Solenoid Assembly (Includes Part 2 & 3)	AC Solenoid	HI-606800	39.51
		DC Solenoid	HI-458200	66.31
②	O-Ring		HI-262600	3.47
③	Solenoid Seal		HI-364400	3.66
④	Bleed Assembly, (2015 and Older)		HI-836200	157.03
	Bleed Assembly, for Old-Style Female Threaded Flow Control Stem		HI-518800	20.96
⑤	Flow Control Knob, (2015 and Older)	Black	HI-515000	7.01
		Purple	HI-515005	4.60
⑤	Flow Control Knob, for use with current Production Flow Control Stem with Male Threads	Black	HI-836500	6.33
		Purple	HI-836501	6.91
⑥	Bonnet Bolt		HI-386900	8.73
⑦	Bonnet Assembly (incl 4, 5, 8)		HI-856300	1,046.88
⑧	Flow Control Stem Assembly, (2015 and Older)		HI-836200	157.03
		Flow Control Stem Assembly, Old-Style with Female Threads	HI-516100	157.03
⑨	Diaphragm Spring		HI-518000	17.45
⑩	Diaphragm Assembly		HI-518900	139.58
⑪	Filter Sentry Diaphragm Assembly		HI-518905	209.36
⑫	Diaphragm Support		HI-514600	20.96
⑬	Port Plug Assembly including O-Ring	NPT	HI-514900	63.30
		BSP	HI-514905	63.30



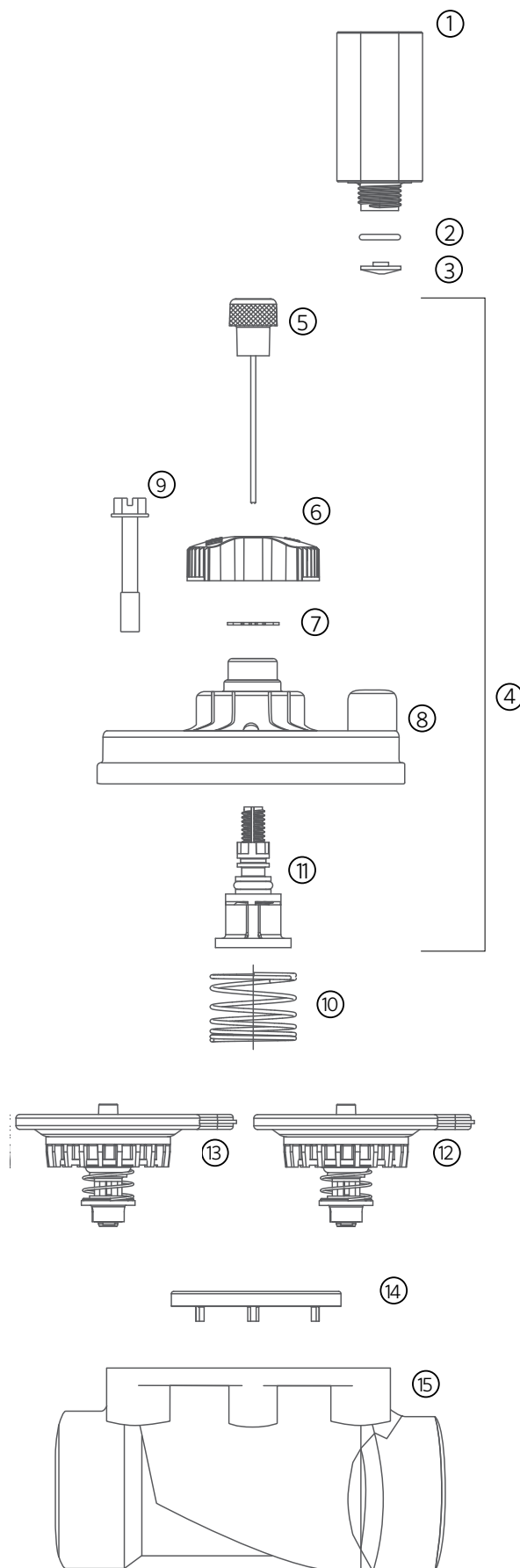
IBV-101G: Brass Valves

Item	Description		Code	AUD
①	Solenoid Assembly (Includes Part 2 & 3)	AC Solenoid	HI-606800	39.51
		DC Solenoid	HI-458200	66.31
②	O-Ring		HI-262600	3.47
③	Solenoid Seal		HI-364400	3.66
④	Bonnet Assembly (Includes Parts 5-8, 11)		HI-900100	397.49
⑤	Bleed Screw (10-Pack)		HI-900300	20.74
⑥	Flow Control Knob	Standard	HI-899600	34.57
		Purple Reclaimed	HI-899605	41.45
⑦	E-Clip Retainer		HI-387200	3.47
⑧	Bonnet		--	--
⑨	Bonnet Bolts		HI-669000	8.73
⑩	Diaphragm Spring		HI-386700	5.25
⑪	Flow Control Stem Assembly (Includes Parts 12-14)		HI-461503	138.25
	Flow Control Stem		--	--
	Flow Control Stem Nut		--	--
	Flow Control Stem O-ring		--	--
⑫	Diaphragm Assembly	Filter Sentry	HI-518905	209.36
⑬	Diaphragm Support Ring		HI-711900	3.47
⑭	Valve Body		--	--



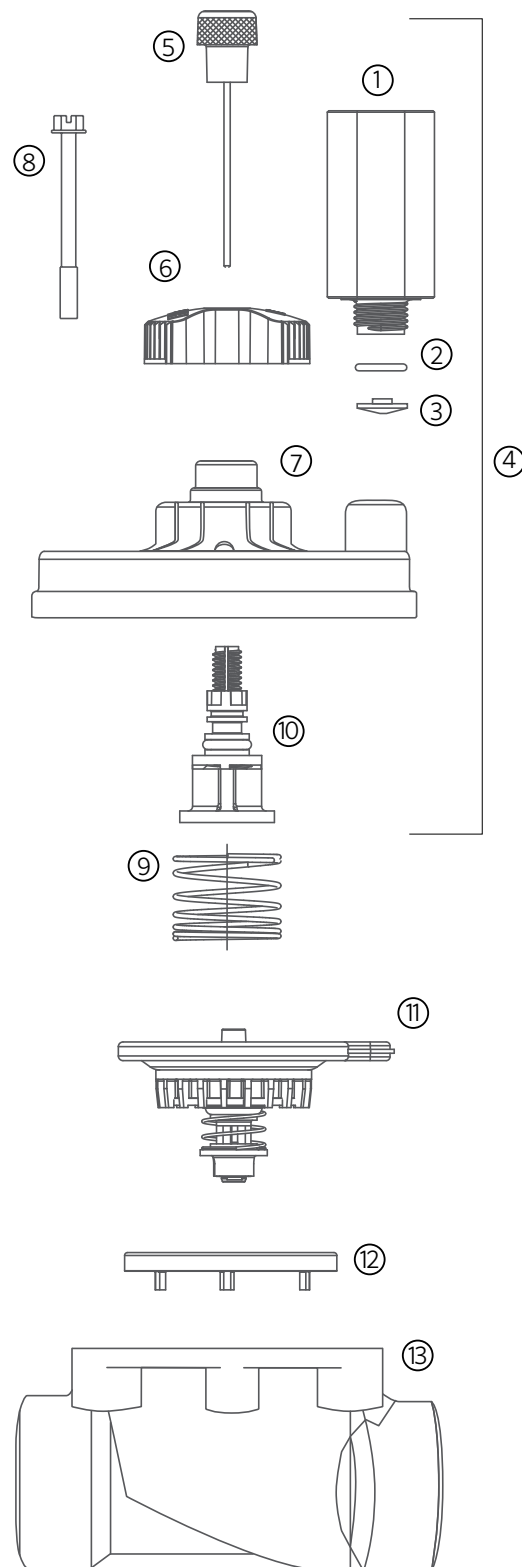
IBV-101, 151 & 201: Brass Valves

Item	Description		Code	AUD
①	Solenoid Assembly (Includes Part 2 & 3)	AC Solenoid	HI-606800	39.51
		DC Solenoid	HI-458200	66.31
②	O-Ring		HI-262600	3.47
③	Solenoid Seal		HI-364400	3.66
④	Bonnet Assembly (Includes Parts 5-8, 11)		HI-900800	587.59
⑤	Bleed Screw (10-Pack)		HI-901000	20.74
⑥	Flow Control Knob	Brass	HI-899600	34.57
		Purple Reclaimed	HI-899605	41.45
⑦	E-Clip Retainer (10-Pack)		HI-371600	3.66
⑧	Bonnet		--	--
⑨	Bonnet Bolts		HI-669000	8.73
⑩	Diaphragm Spring		HI-365400	13.95
⑪	Flow Control Stem Assembly (Includes Parts 12-14)		HI-900900	172.83
		Flow Control Stem	--	--
		Flow Control Stem Nut	--	--
		Flow Control Stem O-ring	--	--
⑫	Diaphragm Assembly	Filter Sentry	HI-676901	0.00
⑬	Diaphragm Assembly	Purple Reclaimed	HI-676902	241.94
⑭	Diaphragm Support Ring		HI-365900	13.95
⑮	Valve Body		--	--



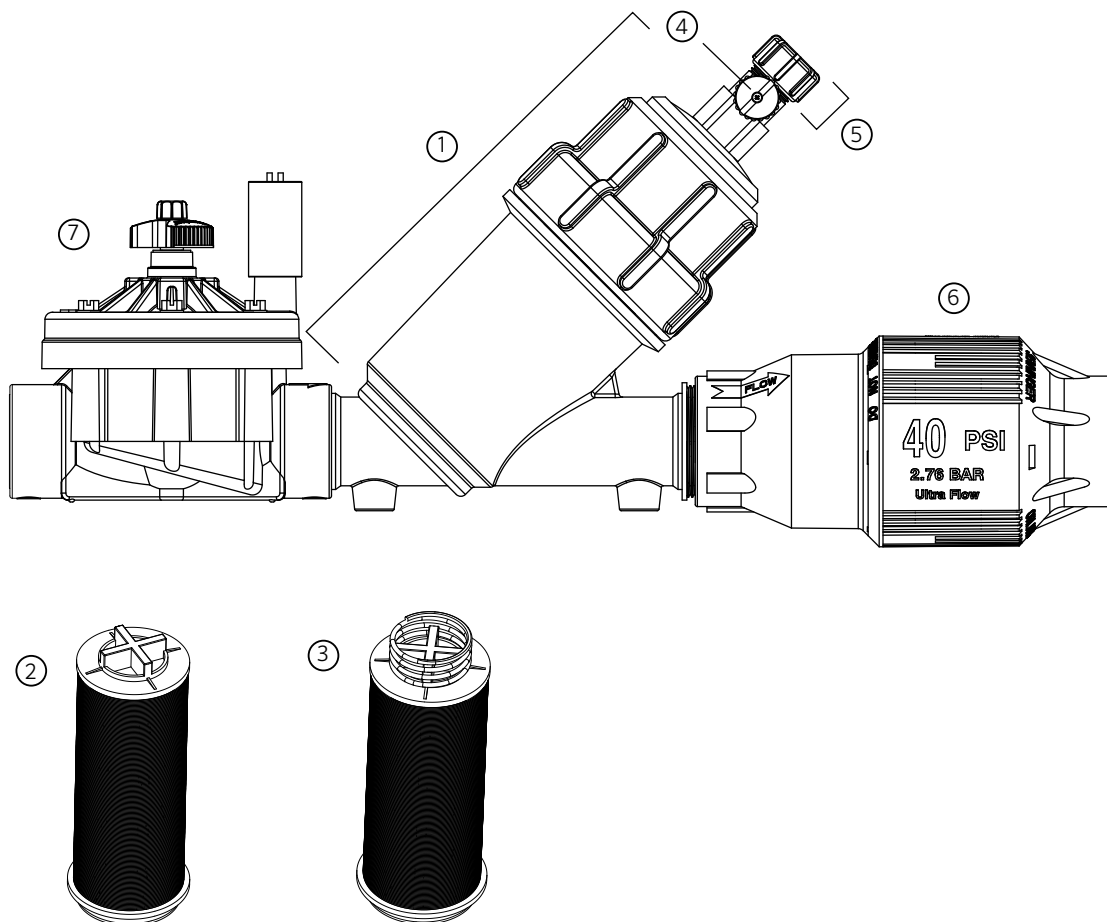
IBV-301: Brass Valves

Item	Description		Code	AUD
①	Solenoid Assembly (Includes Part 2 & 3)	AC Solenoid	HI-606800	39.51
		DC Solenoid	HI-458200	66.31
②	O-Ring		HI-262600	3.47
③	Solenoid Seal		HI-364400	3.66
④	Bonnet Assembly (Includes Parts 5-7, 10)		HI-901700	353.40
⑤	Bleed Screw (10-Pack)		HI-902000	20.74
⑥	Flow Control Knob	Standard	HI-899600	34.57
		Purple Reclaimed	HI-899605	41.45
⑦	Bonnet		--	--
⑧	Bonnet Bolts		HI-669000	8.73
⑨	Diaphragm Spring		HI-518000	17.45
⑩	Flow Control Stem Assembly (Includes Parts 12-14)		HI-901900	153.65
	Flow Control Stem		--	--
	Flow Control Stem Nut		--	--
	Flow Control Stem O-ring		--	--
⑪	Diaphragm Assembly	Filter Sentry	HI-518905	209.36
⑫	Diaphragm Support Ring		HI-514600	20.96
⑬	Valve body		--	--



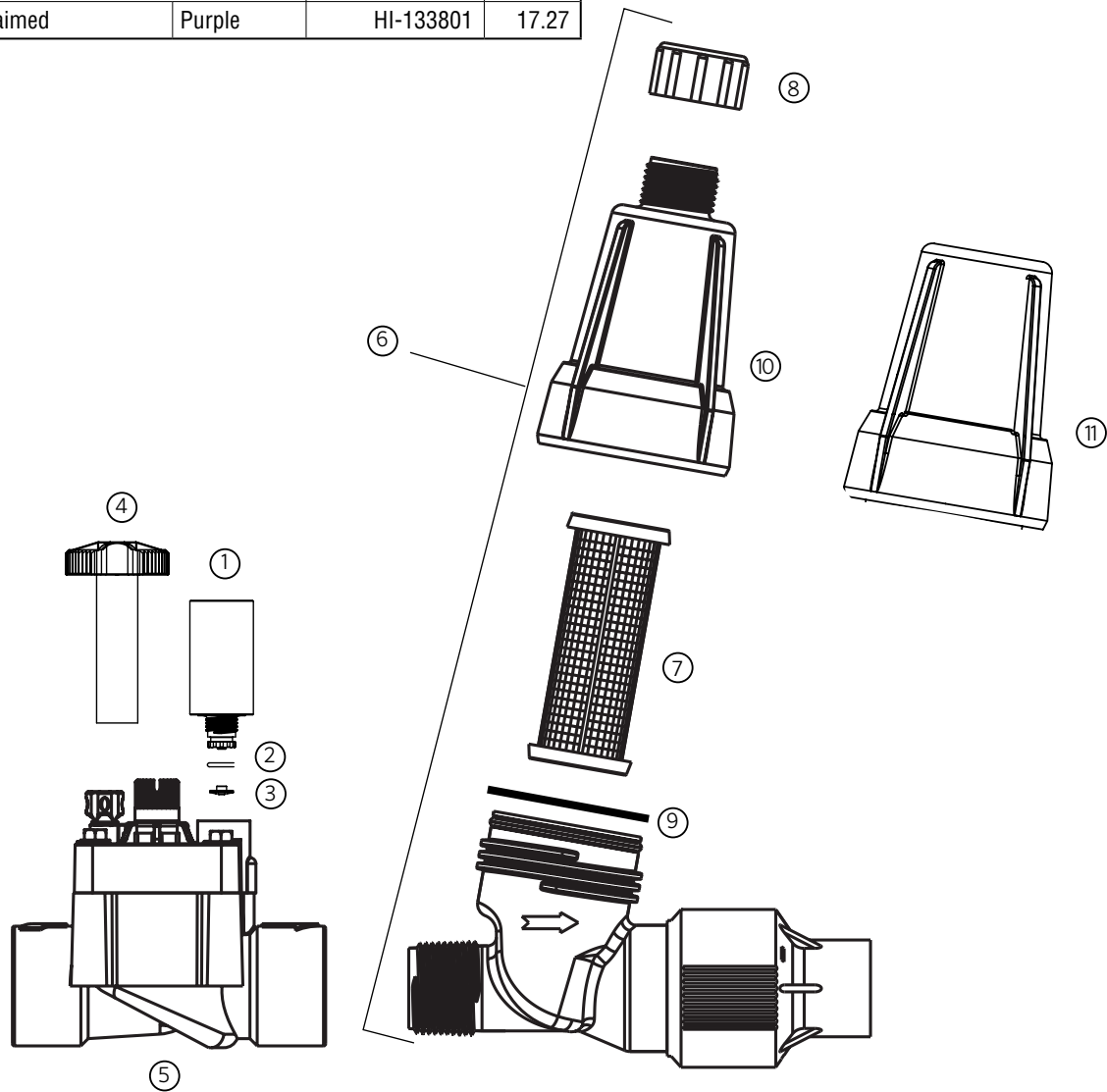
ICZ-151: Drip Control Zone Kit

Item	Description	Code	AUD
①	Filter Assembly with 150 mesh SS Screen	HI-HY151	760.41
②	Spare - Stainless steel screen 150 mesh	HI-HY151SCREEN150	107.71
	Spare - Stainless steel screen 120 mesh	HI-HY151SCREEN120	107.71
	Spare - Stainless steel screen 80 mesh	HI-HY151SCREEN080	107.71
③	Spare - Stainless steel disc 125 micron (120 mesh)	HI-HY151DISC120	129.56
④	Flush Valve	HI-995500	34.91
⑤	Flush Cap with O-ring	HI-651900	9.25
⑥	2" Inlet/outlet regulator @ 40PSI	HI-PRU40	656.30
⑦	ICV-151G-FS Valve	HI-ICV151GFS	358.10



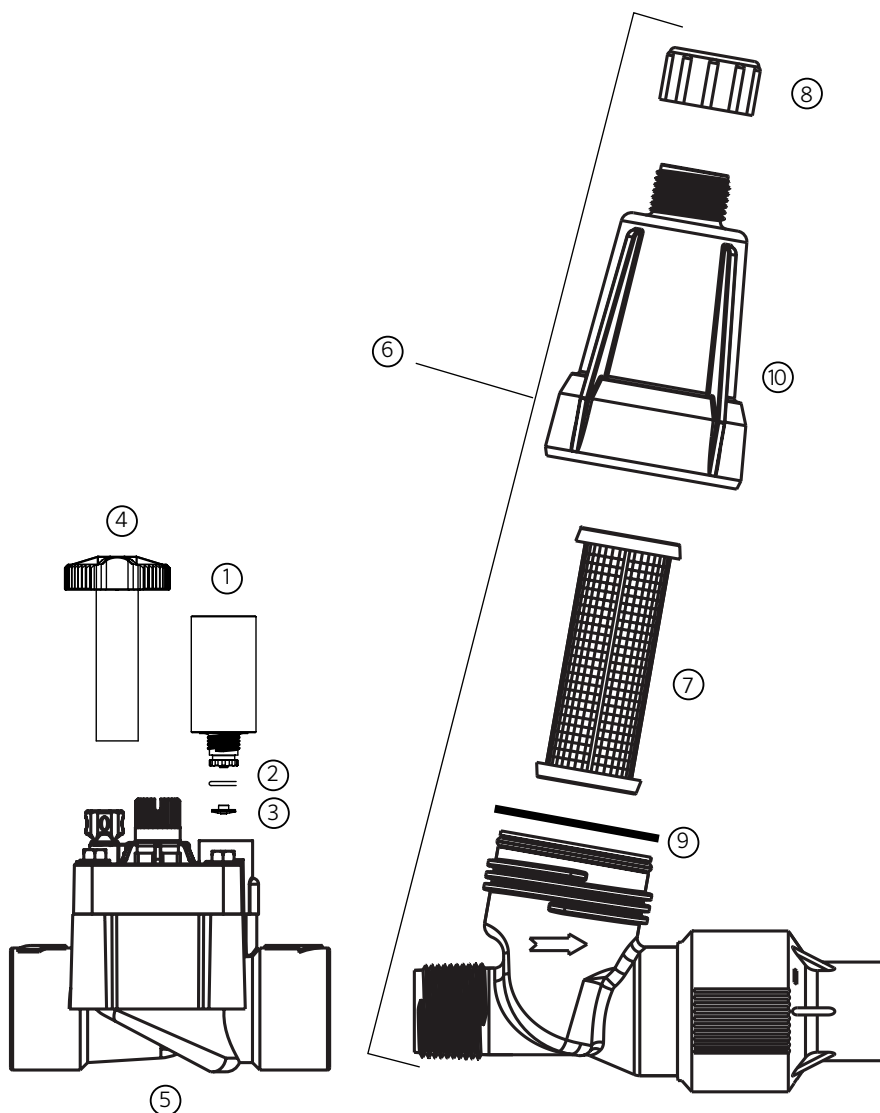
PCZ-101: Drip Control Zone Kit

Item	Description		Code	AUD
①	Solenoid Assembly (Includes Part 2 & 3)	AC Solenoid	HI-606800	39.51
		DC Solenoid	HI-458200	66.31
②	O-Ring		HI-262600	3.47
③	Solenoid Seal		HI-364400	3.66
④	Handle Flow Control	Black	HI-269200	7.01
⑤	PGV101G Valve		HI-PGV101G	68.45
⑥	Filter / Regulator Assembly		--	--
			--	--
⑦	Stainless Steel Screen	150 Mesh	HI-809300	56.70
⑧	Flush Cap with O-Ring		HI-651900	9.25
⑨	O-Ring for HFR-100-075		HI-154900	3.17
⑩	Filter Bonnet (No Cap)		HI-133800	20.96
⑪	Bonnet, Reclaimed	Purple	HI-133801	17.27



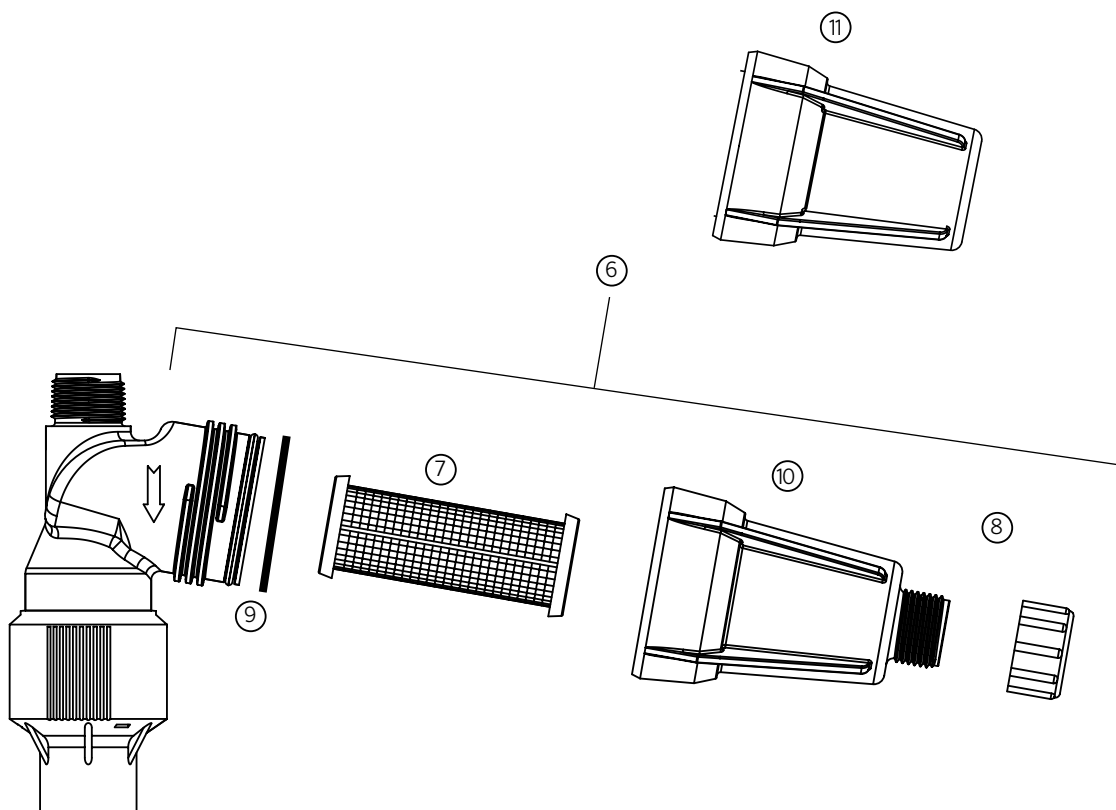
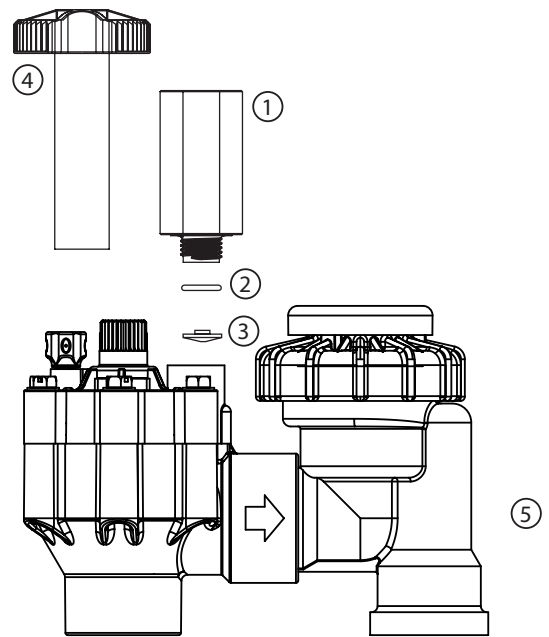
PCZ-101: Drip Control Zone Kit (Before January 2014)

Item	Description		Code	AUD
①	Solenoid Assembly (Includes Part 2 & 3)	AC Solenoid	HI-606800	39.51
		DC Solenoid	HI-458200	66.31
②	O-Ring		HI-262600	3.47
③	Solenoid Seal		HI-364400	3.66
④	Handle Flow Control	Black	HI-269200	7.01
⑤	PGV101G Valve		HI-PGV101G	68.45
⑥	Filter / Regulator Assembly		--	--
⑦	Stainless Steel Screen	150 Mesh	HI-606200	60.72
⑧	Flush Cap with O-Ring		HI-651900	9.25
⑨	O-Ring for HY100		HI-154900	3.17
⑩	Filter Bonnett (No Cap)		HI-133800	20.96



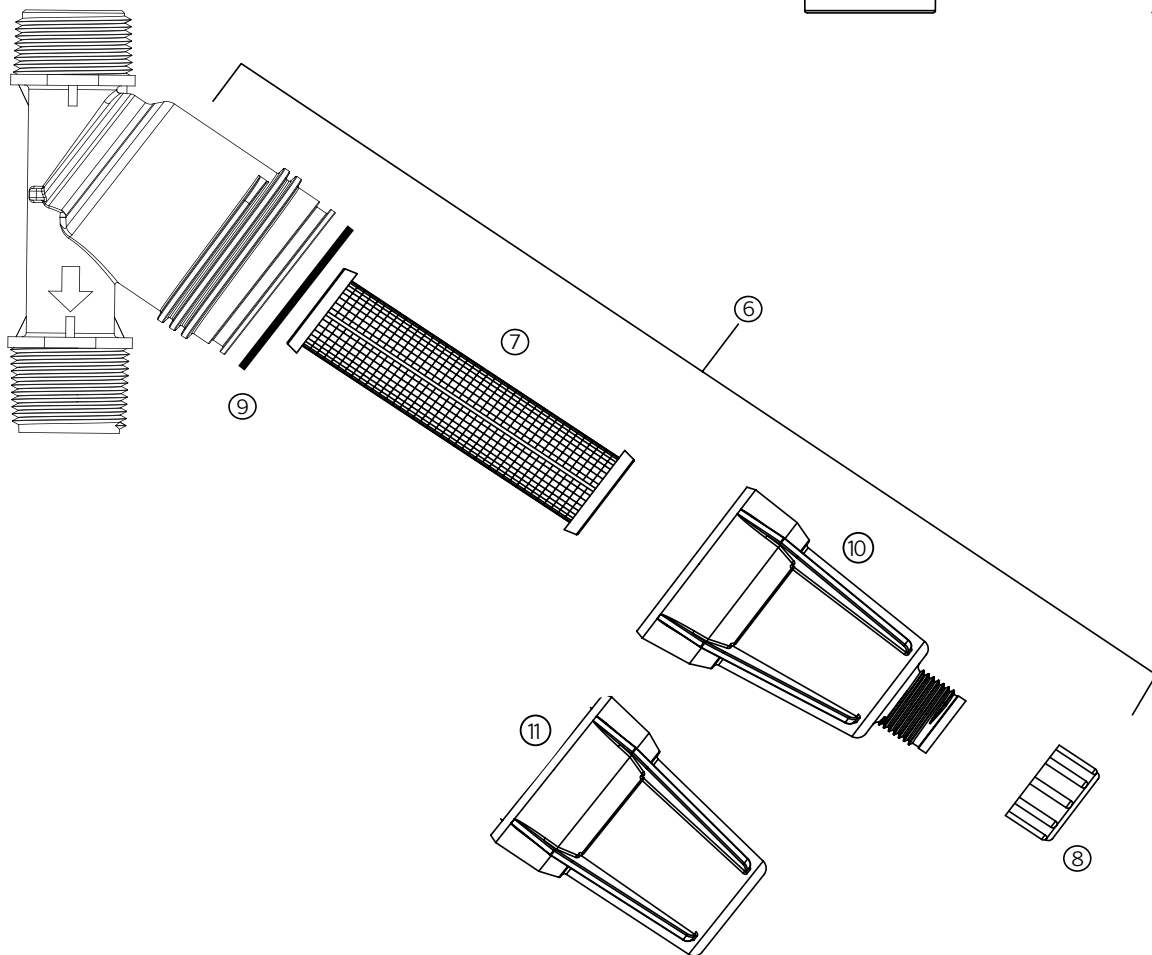
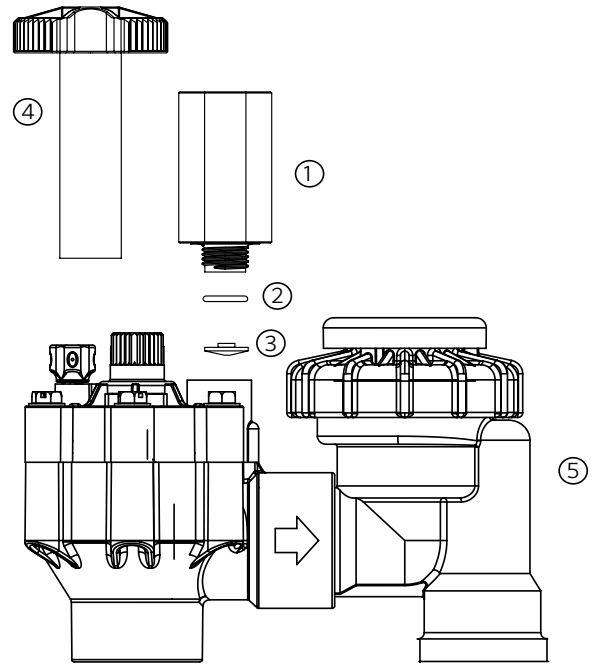
ACZ-075: Drip Control Zone Kit

Item	Description		Code	AUD
①	Solenoid Assembly (Includes Part 2 & 3)	AC Solenoid	HI-434100	39.51
		DC Solenoid	HI-458200	66.31
②	O-Ring		HI-262600	3.47
③	Solenoid Seal		HI-364400	3.66
④	Handle Flow Control	Black	HI-269200	7.01
⑤	3/4" PGV-ASV Valve		--	--
⑥	Filter / Regulator Assembly	25 PSI	HI-HFR07525	125.29
		40 PSI	HI-HFR07540	125.29
⑦	Stainless Steel Screen	150 Mesh	HI-809300	56.70
⑧	Flush Cap with O-Ring		HI-651900	9.25
⑨	O-Ring for HY-100		HI-154900	3.17
⑩	Cap Only	Black	HI-133800	20.96
⑪	Bonnet, Filter, Reclaimed	Purple	HI-133801	17.27



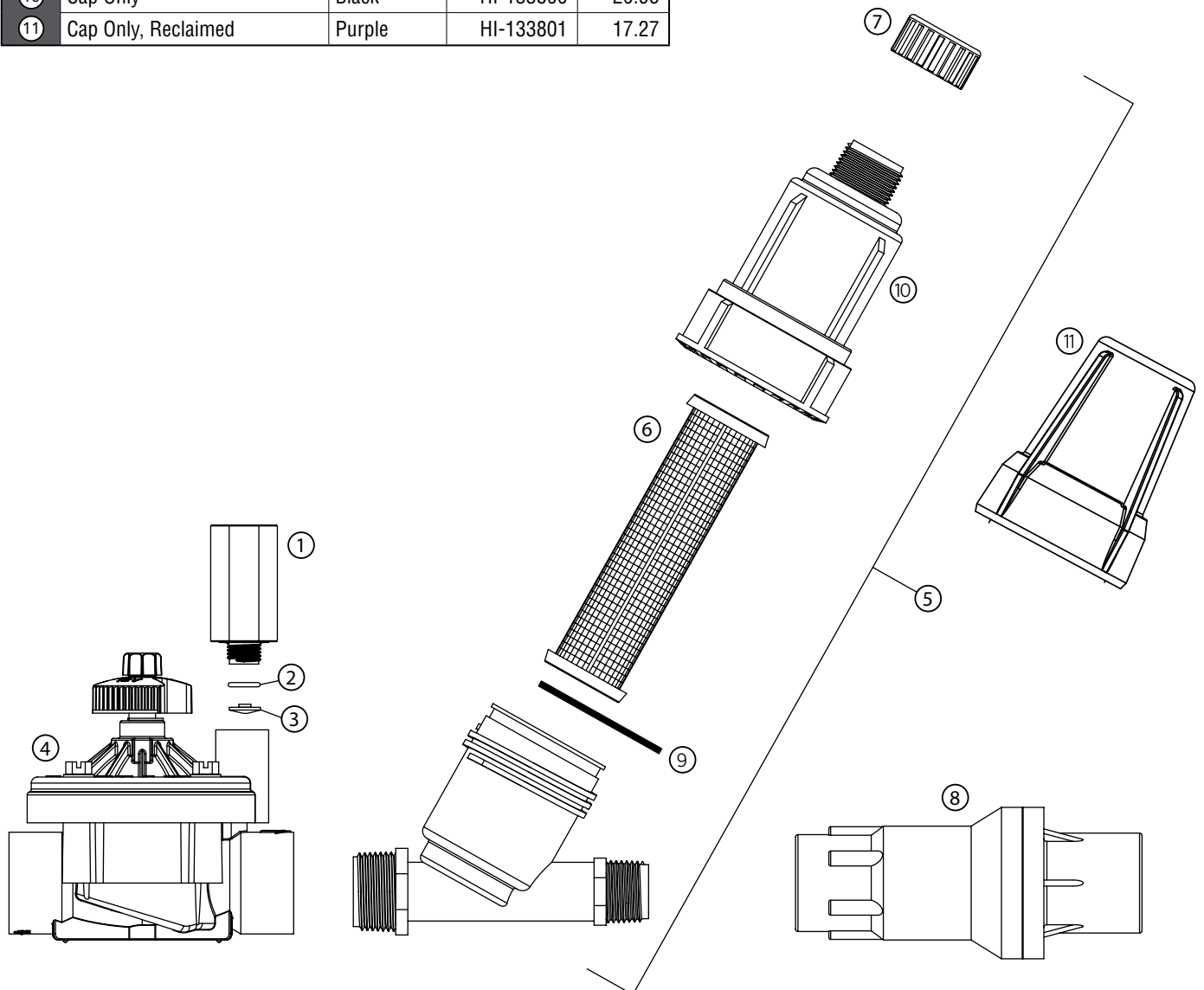
ACZ-075: Drip Control Zone Kit (Before January 2014)

Item	Description		Code	AUD
①	Solenoid Assembly (Includes Part 2 & 3)	AC Solenoid	HI-434100	39.51
		DC Solenoid	HI-458200	66.31
②	O-Ring		HI-262600	3.47
③	Solenoid Seal		HI-364400	3.66
④	Handle Flow Control	Black	HI-269200	7.01
⑤	3/4" PGV-ASV Valve		--	--
⑥	1" M x 3/4" M NPT Wye Filter Assembly		HI-HY075	60.17
⑦	Stainless Steel Screen	150 Mesh	HI-606200	60.72
⑧	Flush Cap with O-Ring		HI-651900	9.25
⑨	O-Ring for HY-100		HI-154900	3.17
⑩	Filter Bonnet No Cap	Black	HI-133800	20.96
⑪	Bonnet, Filter, Reclaimed	Purple	HI-133801	17.27



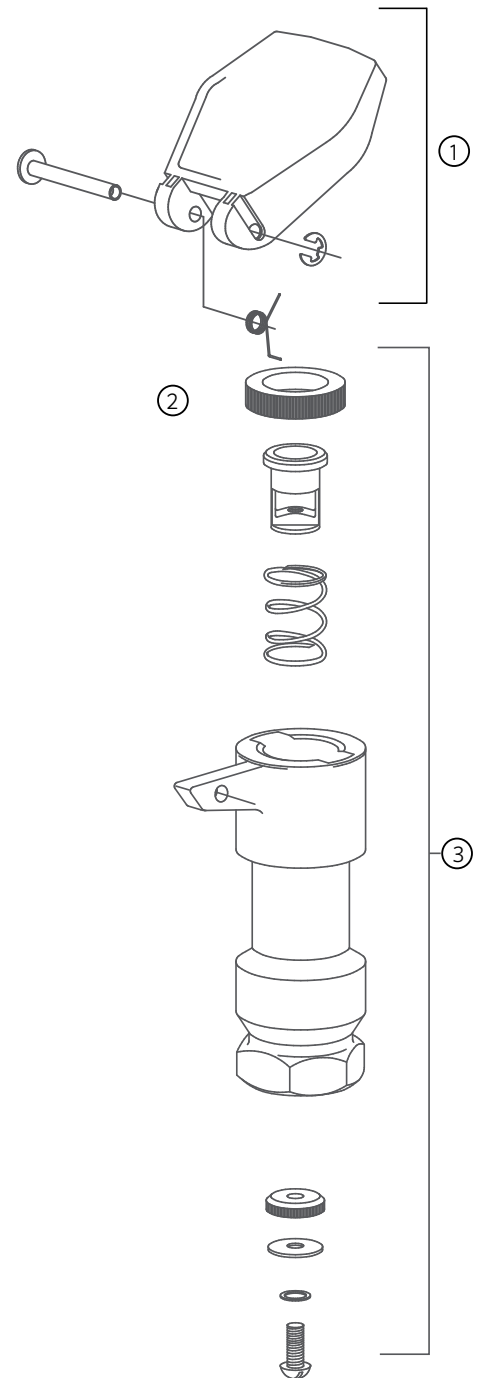
ICZ-101: Drip Control Zone Kit

Item	Description		Code	AUD
①	Solenoid Assembly (Includes Part 2 & 3)	AC Solenoid	HI-606800	39.51
		DC Solenoid	HI-458200	66.31
②	O-Ring		HI-262600	3.47
③	Solenoid Seal		HI-364400	3.66
④	ICV-101FS Valve		HI-ICV101GBFS	281.83
⑤	1" M x 1" M NPT Wye Filter Assembly		HI-HY100	92.87
⑥	Stainless Steel Screen	150 Mesh	HI-809300	56.70
⑦	Flush Cap with O-Ring		HI-651900	9.25
⑧	1" F x 1" F NPT Pressure Regulator	25 PSI	HI-606000	82.20
		40 PSI	HI-652100	82.20
⑨	O-Ring for HY-100		HI-154900	3.17
⑩	Cap Only	Black	HI-133800	20.96
⑪	Cap Only, Reclaimed	Purple	HI-133801	17.27



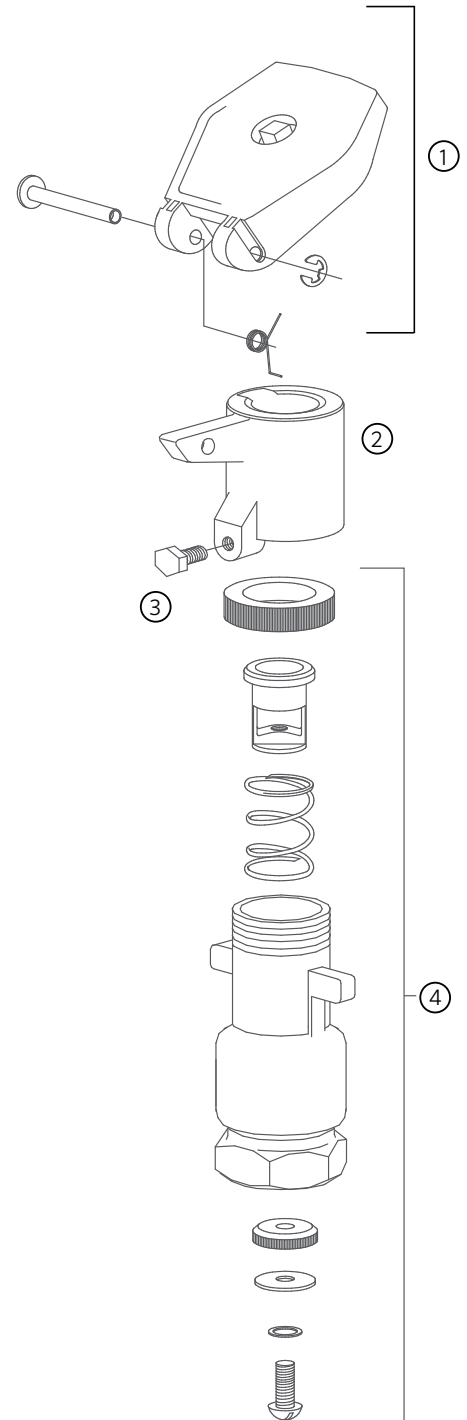
HQ3RC: Quick Coupler Valve

Item	Description	Code	AUD
1	Cover Kit - Yellow Non-Locking	HI-150700	153.56
2	Upper Seal Kit (25 Seals)	HI-103600	202.42
3	Complete Seal Kit (Does not Include Brass Body)	HI-149500	127.41



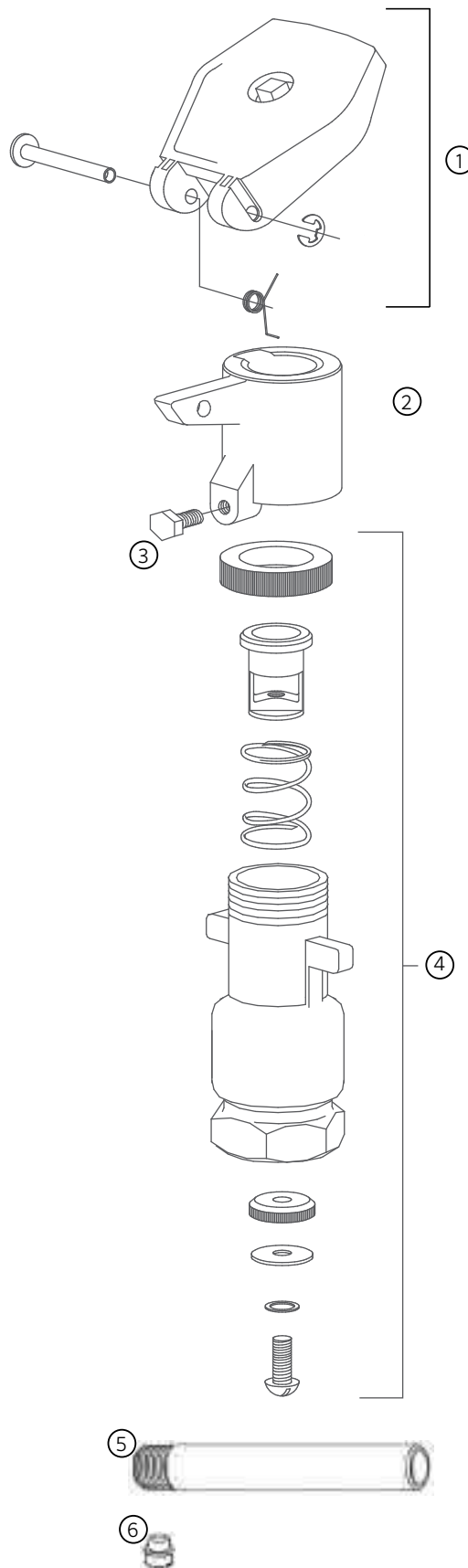
HQ33RC, HQ33LRC, HQ33LRCR: Quick Coupler Valve

Item	Description	Code	AUD	
①	Cover Kit	Yellow Non-Locking	HI-150700	153.56
		Yellow Locking	HI-158300	207.64
		Purple Locking	HI-168000	207.64
②	Brass Upper Body Kit	HI-169500	213.76	
③	Upper Seal Kit (25 Seals)	HI-168100	202.42	
④	Complete Seal Kit (Does not Include Brass Body)	HI-168200	127.41	



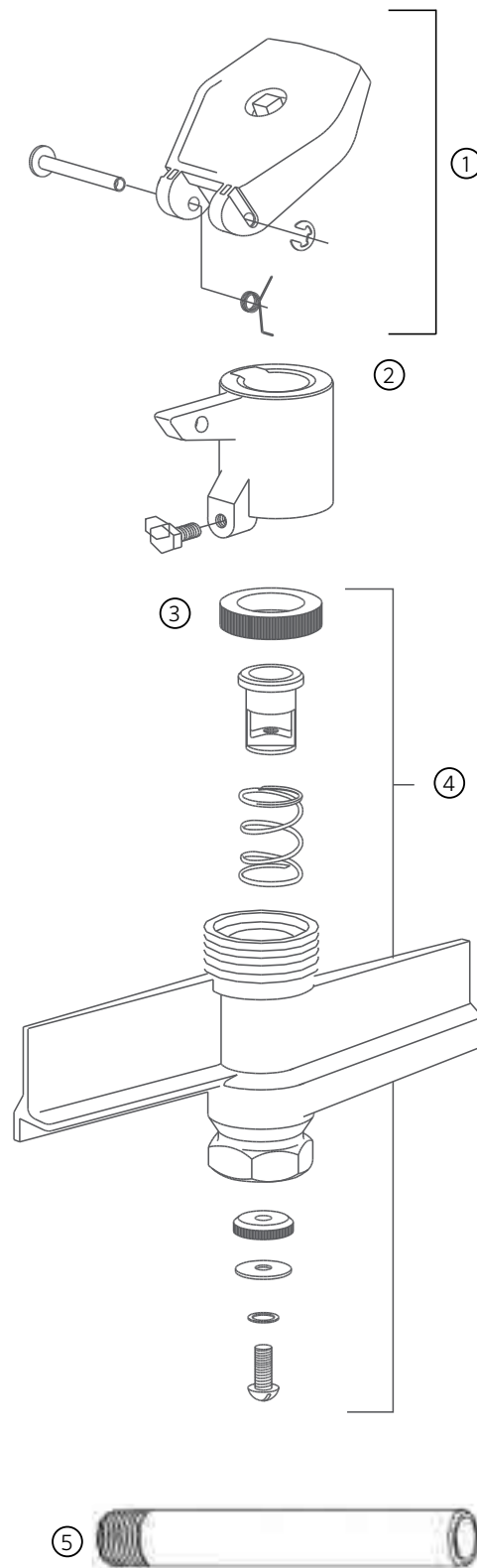
HQ44RC, HQ44LRC, HQ44LRCR: Quick Coupler Valve

Item	Description	Code	AUD	
①	Cover Kit	Yellow Non-Locking	HI-168300	157.92
		Yellow Locking	HI-168400	228.60
		Purple Locking	HI-168500	228.60
②	Brass Upper Body Kit	HI-169600	253.89	
③	Upper Seal (25 Seals)	HI-168600	10.48	
④	Complete Seal Kit (Does not Include Brass Body)	HI-168700	139.58	
⑤	Handle - for HK44 Key (Includes 10 Handles)	HI-169200	111.67	
⑥	Lug - for HK44 Key (Includes 10 Each)	HI-169400	274.79	



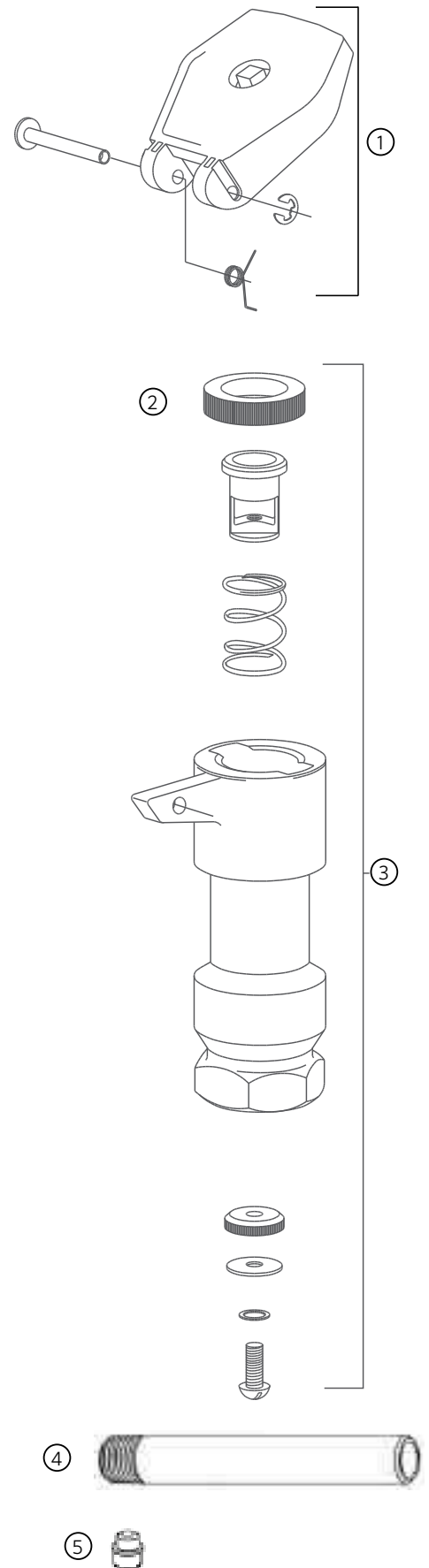
HQ44RCAW, HQ44LRCAW, HQ44LRCAWR: Quick Coupler Valve

Item	Description	Code	AUD	
①	Cover Kit	Yellow Non-Locking	HI-168300	157.92
		Yellow Locking	HI-168400	228.60
		Purple Locking	HI-168500	228.60
②	Brass Upper Body Kit	HI-169700	335.85	
③	Upper Seal (25 Seals)	HI-168600	10.48	
④	Complete Seal Kit (Does not Include Brass Body)	HI-168700	139.58	
⑤	Handle - for HK44 Key (Includes 10 Handles)	HI-169200	111.67	



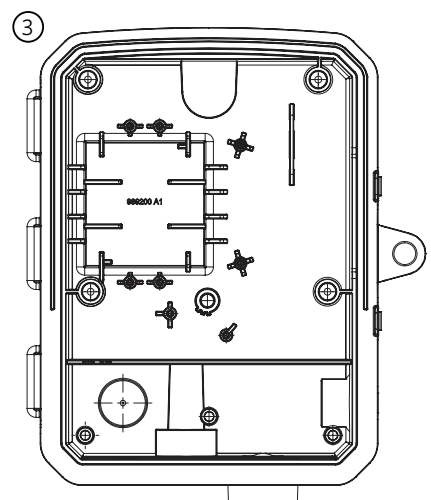
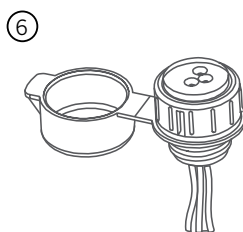
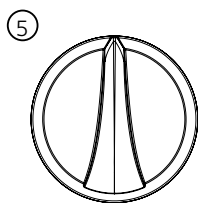
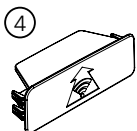
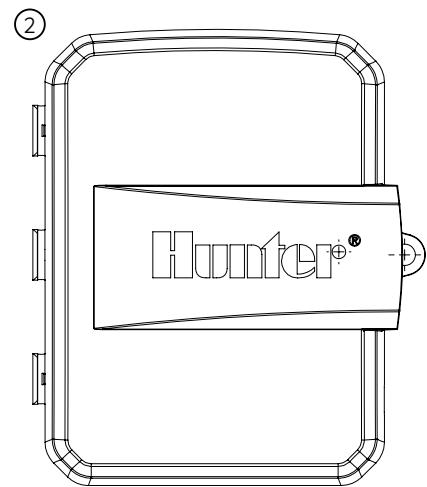
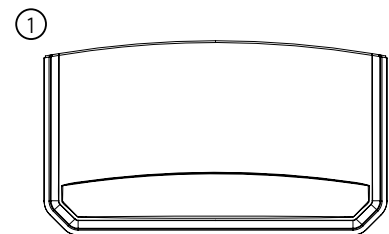
HQ5RC, HQ5LRC, HQ5LRCR: Quick Coupler Valve

Item	Description	Code	AUD
①	Cover Kit	Yellow Non-Locking	HI-168300 157.92
		Yellow Locking	HI-168800 214.62
		Purple Locking	HI-168900 228.60
②	Upper Seal (25 Seals)	HI-169000	266.06
③	Complete Seal Kit (Does not Include Brass Body)	HI-169100	145.69
④	Handle - for HK55 Key (Includes 10 Handles)	HI-169300	144.83
⑤	Lug - for HK55 Key (Includes 10 Each)	HI-169400	274.79



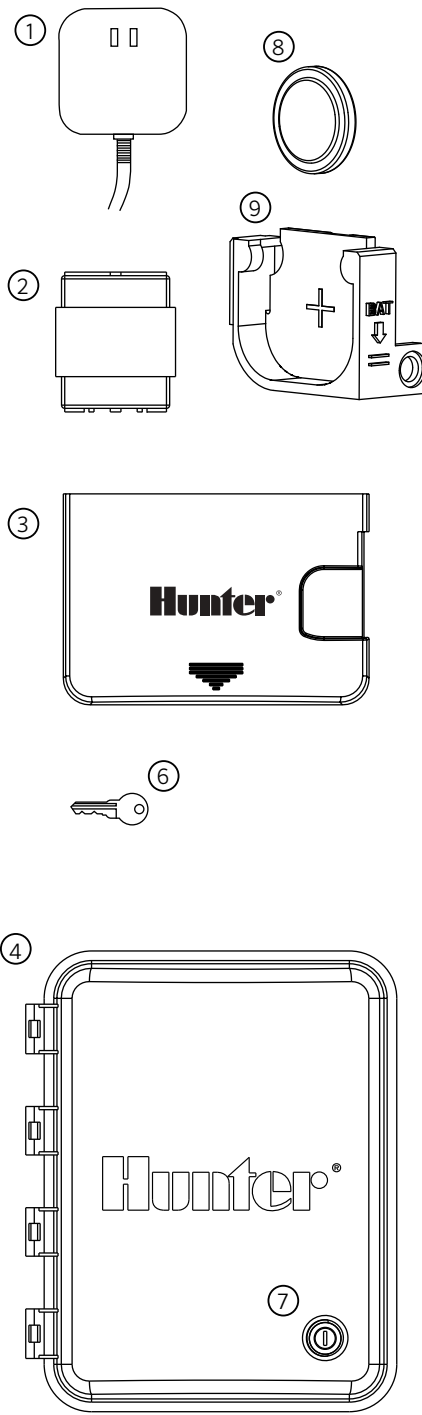
X2: Wi-Fi Capable Outdoor Mount Controller

Item	Description	Code	AUD	
①	Terminal Cover	HI-989000	17.45	
②	Front Door	HI-989100	52.36	
③	Rear Plastic Enclosure	HI-989200	122.15	
④	Wi-Fi Cover	HI-990200	17.45	
⑤	Dial	HI-990300	17.45	
⑥	SmartPort® Wiring Harness	6' Wire	HI-ROAM-WH	50.60
		25' Wire - Shielded	HI-ROAMSCWH	72.07



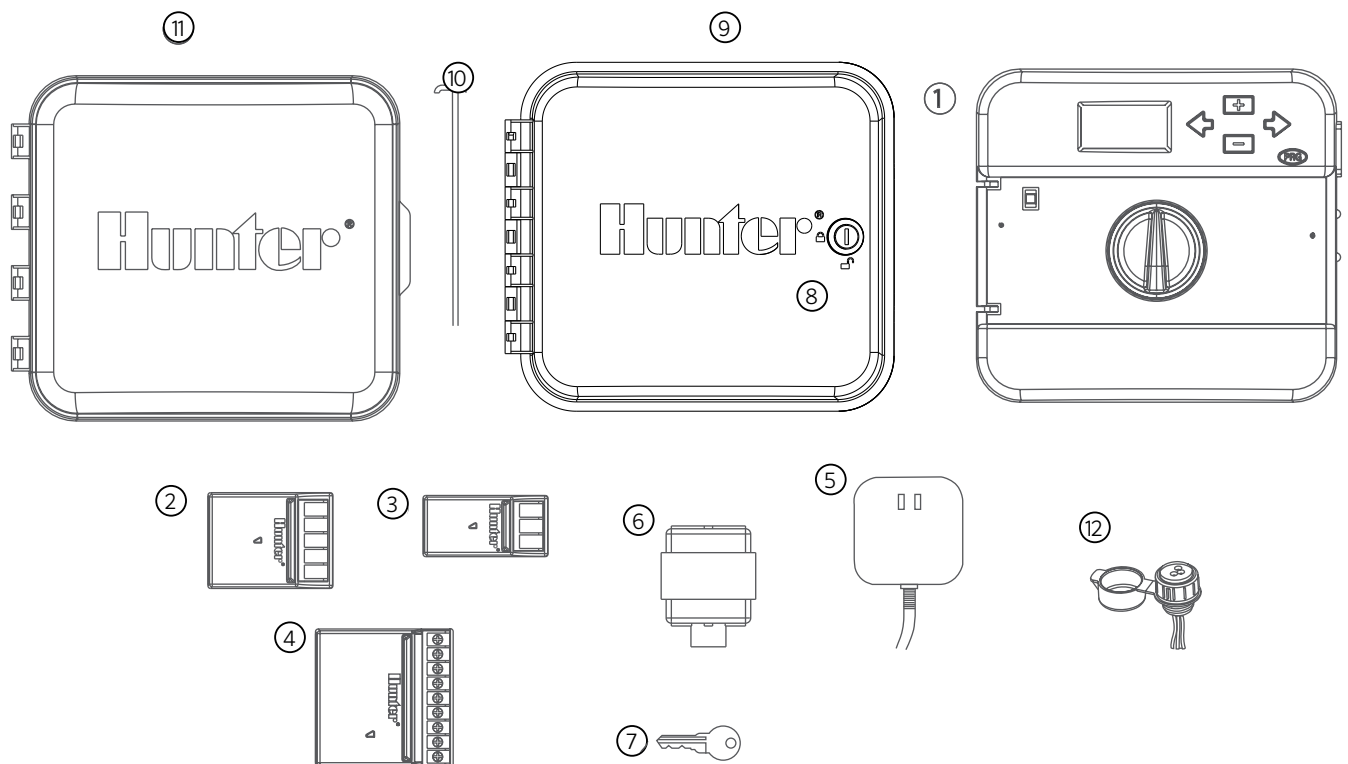
X-Core: Indoor/Outdoor Mount Controller

Item	Description	Code	AUD
1	Indoor Transformer 240/24VAC (Australian)	HI-545500	94.06
2	Outdoor Transformer 240/24VAC (Australian)	HI-545600	111.67
3	Access Door	Indoor Model	HI-471020 17.45
		Outdoor Model	HI-471010 17.45
4	Front Door	HI-428000	55.84
5	Front Door Hinge Pin	HI-429200	7.01
6	Key Set (2)	HI-122516	17.45
7	Lock & Key Set	HI-387300	41.88
8	3-Volt Lithium Battery (CR2032)	HI-622032	Call
9	Battery Holder	HI-627800	17.45
10	SmartPort® Wiring Harness	6' Wire	HI-ROAM-WH 50.60
		25' Wire - Shielded	HI-ROAMSCWH 72.07
11	Dial	HI-627300	17.45



Pro-C & PCC: Indoor/Outdoor Mount Controllers

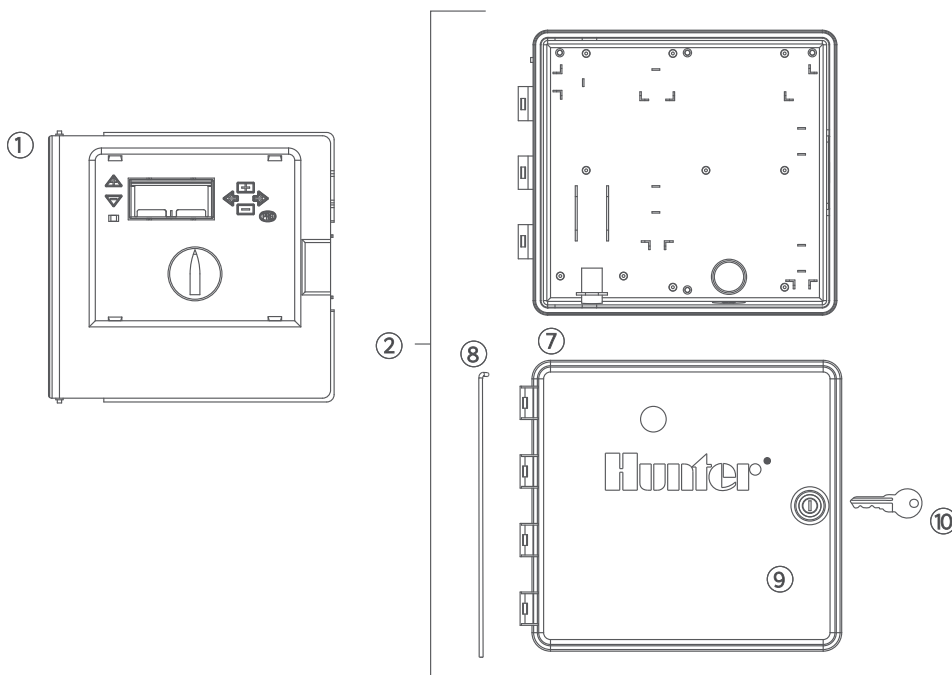
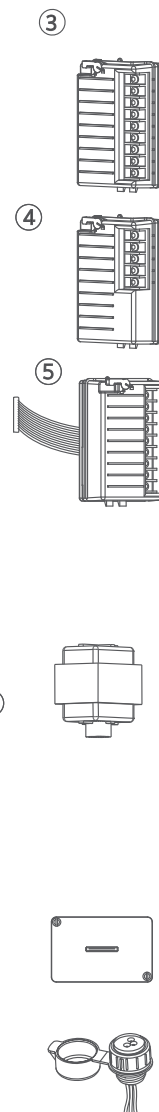
Item	Description	Code	AUD
①	Front Panel – Old Pro-C 300	HI-526200	209.05
①	Front Panel – New Pro-C 400	HI-821501	209.05
②	Main Module – Old Pro-C 3-Station (black)	HI-466500	209.36
②	Main Module – New Pro-C 4-Station (grey)	HI-820200	156.77
	Ribbon Cable	HI-819900	41.88
③	3-Station Expansion Module	HI-PCM300	190.04
④	9-Station Expansion Module	HI-PCM900	704.45
⑤	Indoor Transformer 240/24VAC (Australian)	HI-545500	94.06
⑥	Outdoor Transformer 240/24VAC (Australian)	HI-545600	111.67
⑦	Key Set (2)	HI-122516	17.45
⑧	Lock & Key Set	HI-387300	41.88
⑨	Front Door (Without Lock) Outdoor Unit	HI-463100	55.84
⑩	Front Door Hinge Pin	HI-464400	7.01
⑪	Front Door Indoor Unit	HI-463300	27.90
⑫	SmartPort [®] Wiring Harness		
	6' Wire	HI-ROAM-WH	50.60
	25' Wire - Shielded	HI-ROAMSCWH	72.07



ICC: Plastic Cabinet

Item	Description	Code	AUD	
①	Front Panel*	See note	--	
②	Plastic Cabinet Assembly (Includes items 3, 10, 11, 12 & 13)	HI-631500	287.97	
③	8-Station Module	HI-ICM800	664.85	
④	4-Station Module	HI-ICM400	359.46	
⑤	Power Module	HI-429800	471.12	
⑥	Transformer 110/220 24V 40VA (Dual Voltage)	HI-154628	122.92	
⑦	Plastic Front Door without Lock	HI-429700	87.24	
⑧	Front Door Hinge Pin	HI-374000	10.48	
⑨	Lock and Key Set	HI-387300	41.88	
⑩	Key Set (2)	HI-122516	17.45	
⑪	Junction Box Door	HI-374200	17.45	
⑫	SmartPort®	6' Wire	HI-ROAM-WH	50.60
	Wiring Harness	25' Wire - Shielded	HI-ROAMSCWH	72.07

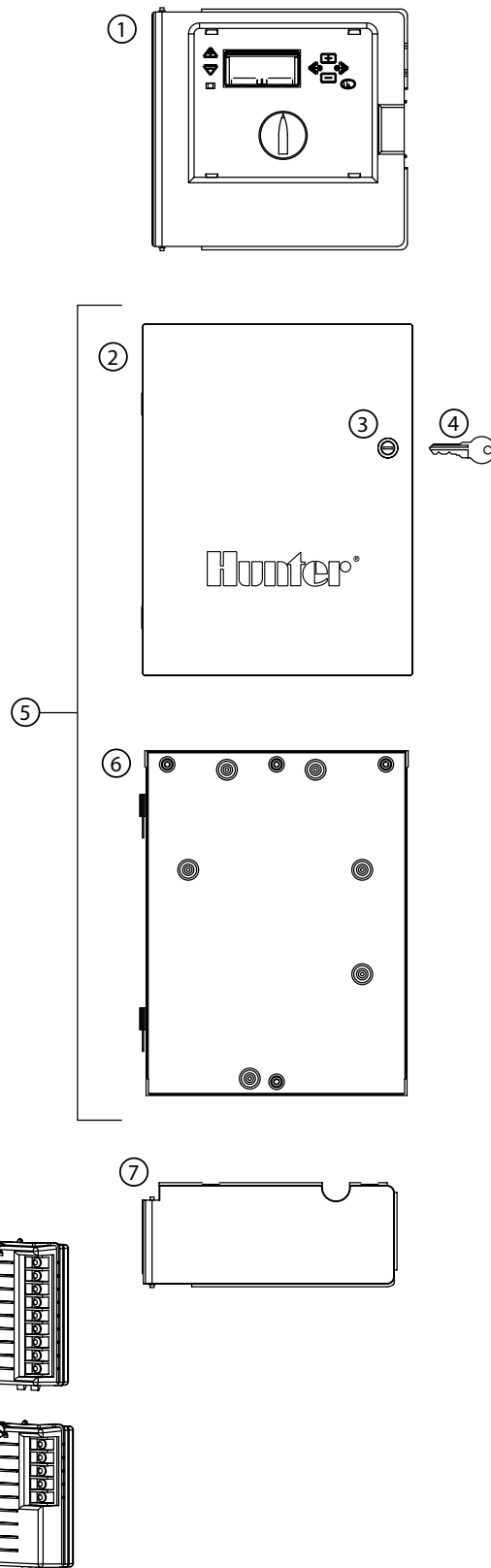
*Limited supplies. Contact Customer Service for replacement upgrade to ICC2 front panel kit.



ICC: Metal Cabinet

Item	Description		Code	AUD
1	Front Panel*			See Note
2	Metal Front Door w/o Lock	Powder Coated	HI-384400	348.97
		Stainless Steel	HI-384405	785.15
3	Lock & Key Set		HI-387300	41.88
4	Key Set (2)		HI-122516	17.45
5	Metal Cabinet w/ Door & Lock (Includes 3, 4 & 7)	Powder Coated	HI-561700	1,116.67
		Stainless Steel	HI-561800	2,057.37
6	Metal Cabinet w/o Door	Powder Coated	HI-384300	959.67
		Stainless Steel	HI-384305	1,570.33
7	Bottom Door		HI-384200	69.79
8	8-Station Module		HI-ICM800	664.85
9	4-Station Module		HI-ICM400	359.46
10	Transformer 110/220 24V 40VA (Dual Voltage)		HI-154628	122.92
11	Power Module		HI-429800	471.12
12	Junction Box Door		HI-374200	17.45

*Limited supplies. Contact Customer Service for replacement upgrade to ICC2 front panel kit.



ICC: Plastic Pedestal

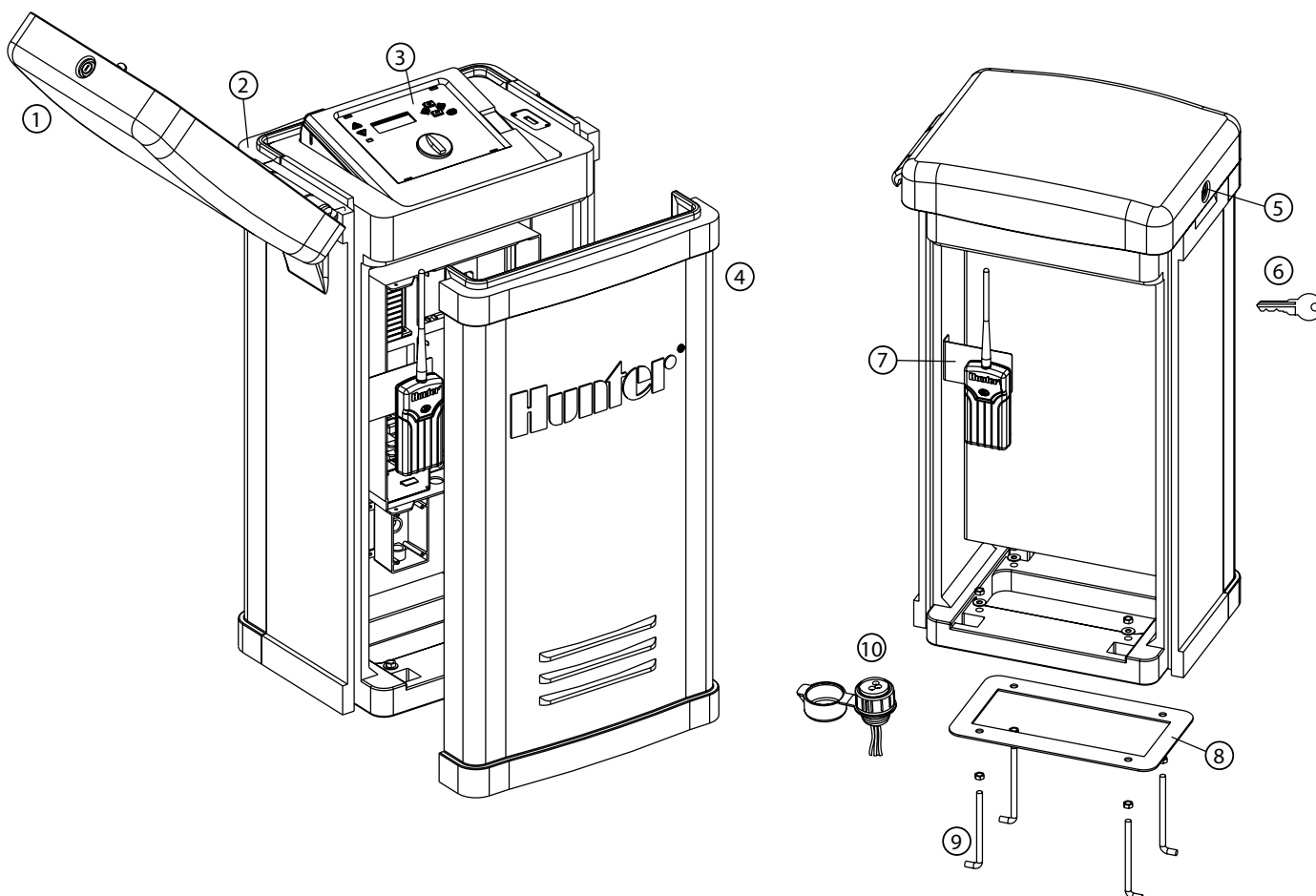
Beginning in 2017, plastic pedestals for all controllers changed to a new design. Models affected include the original ICC, I-Core®, and ACC controllers. (Note: ACC2, ICC2, and HCC controllers have only been offered with the new design.)

Parts for the new design are not interchangeable with the older design. Before ordering replacement parts, be sure to correctly identify which pedestal you have. While all plastic parts between the two pedestals are different, the easiest way to determine what style you have is to look at the door design:

- Old style: Air vents are located only on the bottom of the door (below the Hunter logo).
- New style: Air vents are located on the top and bottom of the door (above and below the Hunter logo).

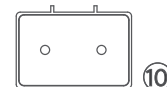
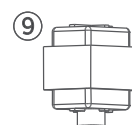
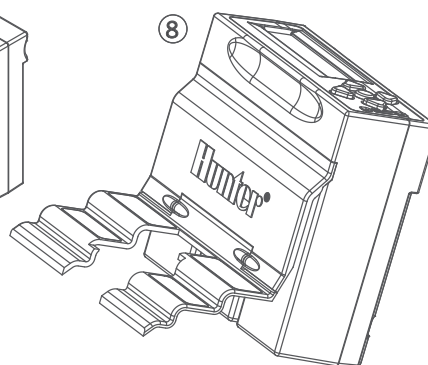
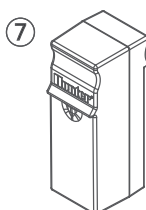
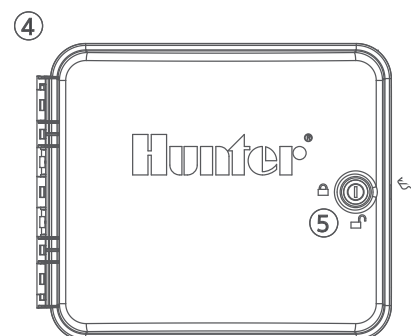
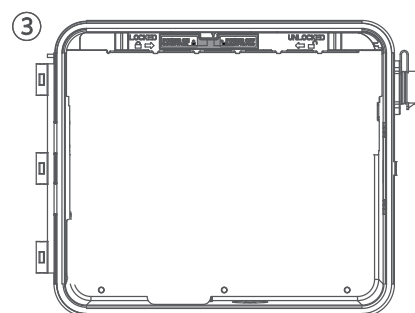
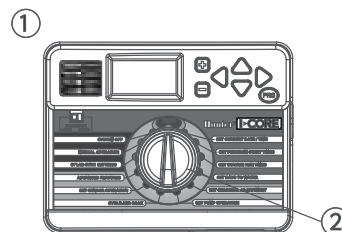
Item	Description	Code	AUD	
1	Lid	HI-553300	316.52	
2	Hinge Pin	HI-558400	73.26	
3	ICC Front Panel*	See Note	--	
4	Access Door	HI-553200	474.78	
5	Lock & Key Set	HI-558000	55.84	
6	Key Set (2)	HI-122516	17.45	
7	SmartPort® Bracket	HI-576000	87.24	
8	Mounting Template	HI-558600	76.79	
9	Mounting Hardware	HI-420200	174.48	
10	SmartPort®	6' Wire	HI-ROAM-WH	50.60
	Wiring Harness	25' Wire - Shielded	HI-ROAMSCWH	72.07
	Ribbon Cable Extension (Not shown)	HI-574600	93.33	
	Mounting Kit (Includes 8 & 9)	HI-581700	233.82	

*Limited supplies. Contact Customer Service for replacement upgrade to ICC2 front panel kit.



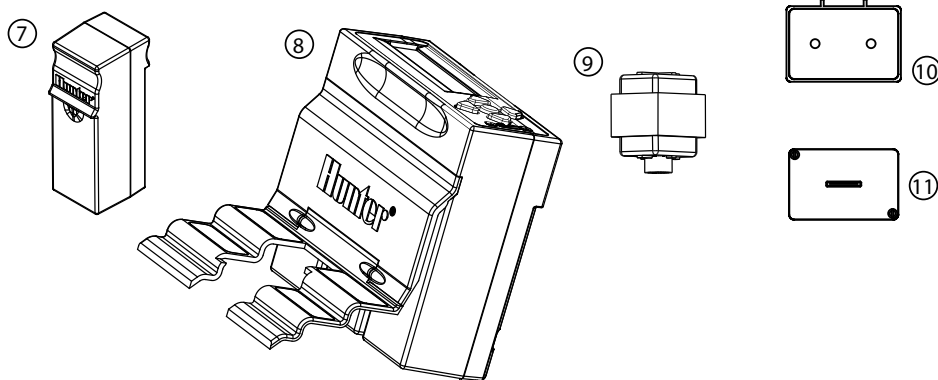
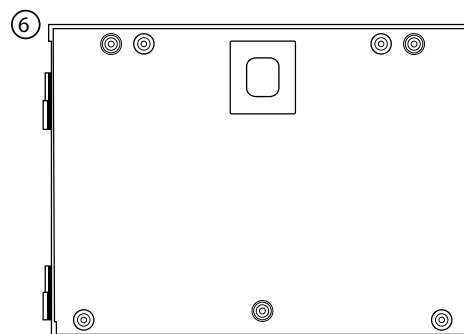
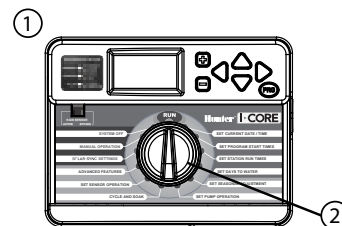
I-Core: Plastic Cabinet

Item	Description	Code	AUD
1	Front Panel	HI-124705	950.05
2	Knob	HI-129300	17.45
3	Rear Cabinet	HI-117805	139.58
4	Door Without Lock, Plastic I-Core	HI-131305	104.70
5	Lock & Key Set	HI-387300	41.88
6	Key Set (2)	HI-122516	17.45
7	6-Station Expansion Module	HI-ICM600	664.85
8	48 Station DUAL Module	HI-DUAL48M	2,412.64
9	Transformer Hardware	HI-154628	122.92
10	Junction Box	HI-123800	27.90
11	Junction Box Cover	HI-124000	17.45
	Power Module	HI-121405	436.18
	Ribbon Cable, Plastic I-Core	HI-130800	27.90



I-Core: Metal Cabinet

Item	Description	Code	AUD
1	Front Panel	HI-124705	950.05
2	Knob	HI-129300	17.45
3	Door Without Lock, Metal I-Core	HI-125500	348.97
4	Lock & Key Set	HI-387300	41.88
5	Key Set (2)	HI-122516	17.45
6	Rear Cabinet	HI-118700	334.96
7	6-Station Expansion Module	HI-ICM600	664.85
8	48 Station DUAL Module	HI-DUAL48M	2,412.64
9	Transformer	HI-154628	122.92
10	Junction Box	HI-123800	27.90
11	Junction Box Cover	HI-124000	17.45
	Power Module	HI-141700	523.45
	Ribbon Cable, Plastic I-Core	HI-130810	34.91



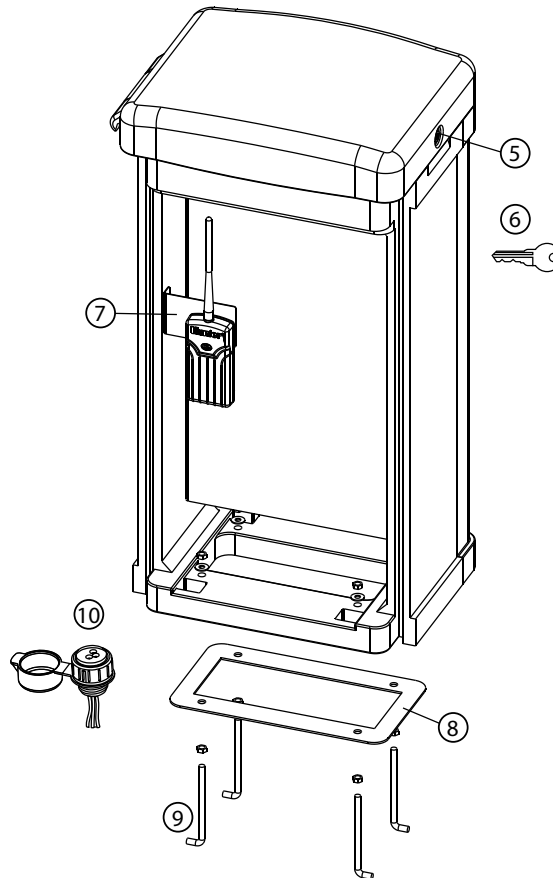
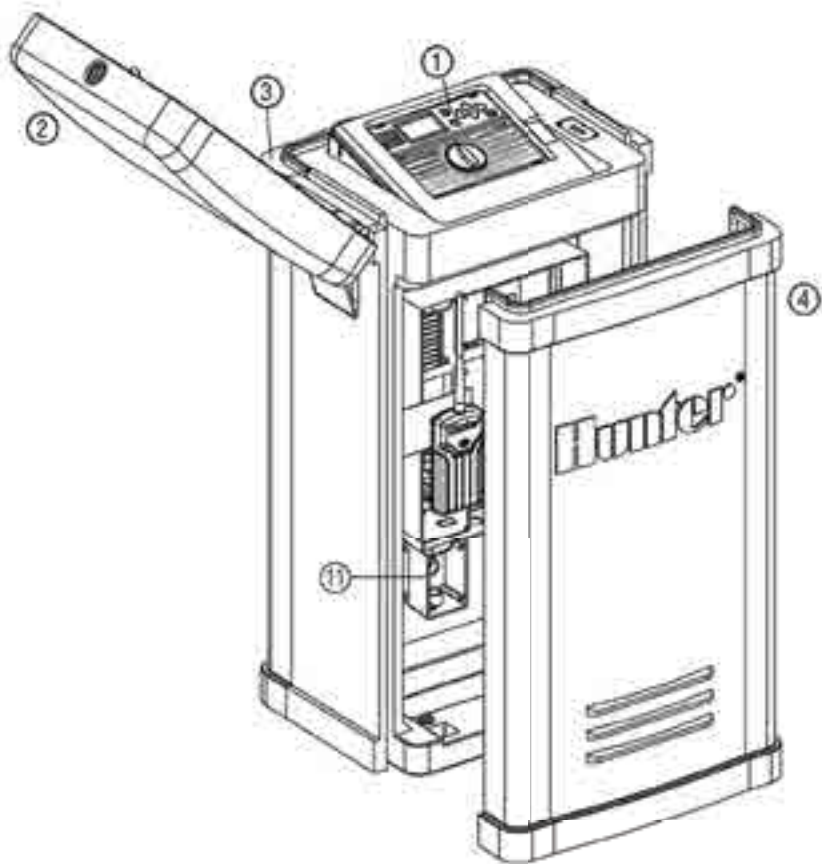
I-Core: Plastic Pedestal

Beginning in 2017, plastic pedestals for all controllers changed to a new design. Models affected include the original ICC, I-Core®, and ACC controllers. (Note: ACC2, ICC2, and HCC controllers have only been offered with the new design.)

Parts for the new design are not interchangeable with the older design. Before ordering replacement parts, be sure to correctly identify which pedestal you have. While all plastic parts between the two pedestals are different, the easiest way to determine what style you have is to look at the door design:

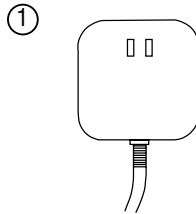
- Old style: Air vents are located only on the bottom of the door (below the Hunter logo).
- New style: Air vents are located on the top and bottom of the door (above and below the Hunter logo)

Item	Description	Code	AUD
1	I-Core Front Panel	HI-124705	950.05
2	Lid	HI-552200	316.52
3	Hinge Pin	HI-558400	73.26
4	Access Door	HI-553200	474.78
5	Lock & Key Set	HI-558800	50.64
6	Key Set (2)	HI-122516	17.45
7	SmartPort Bracket	HI-576000	87.24
8	Mounting Template	HI-558600	76.79
9	Mounting Hardware	HI-420200	174.48
10	Smart Port Wiring Harness 25' Shielded Cable	HI-ROAMSCWH	72.07
	Ribbon Cable - Plastic Ped I-Core	HI-130815	41.88
	Mounting Kit	HI-581700	233.82
11	Pedestal Junction Box	HI-145415	1,570.33



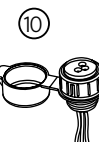
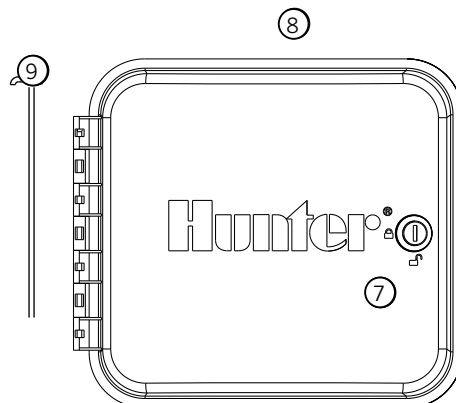
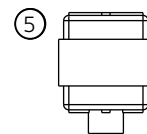
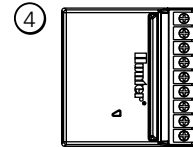
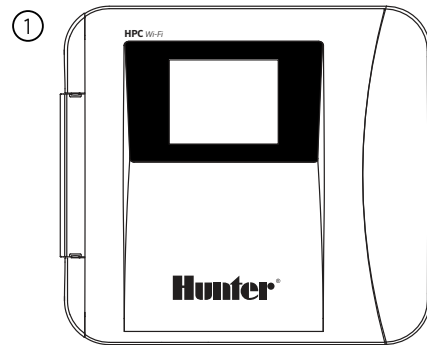
HC WiFi Controller: Residential Controller

Item	Description	Code	AUD
①	Indoor Transformer 240/24VAC (Australian)	HI-545500	94.06



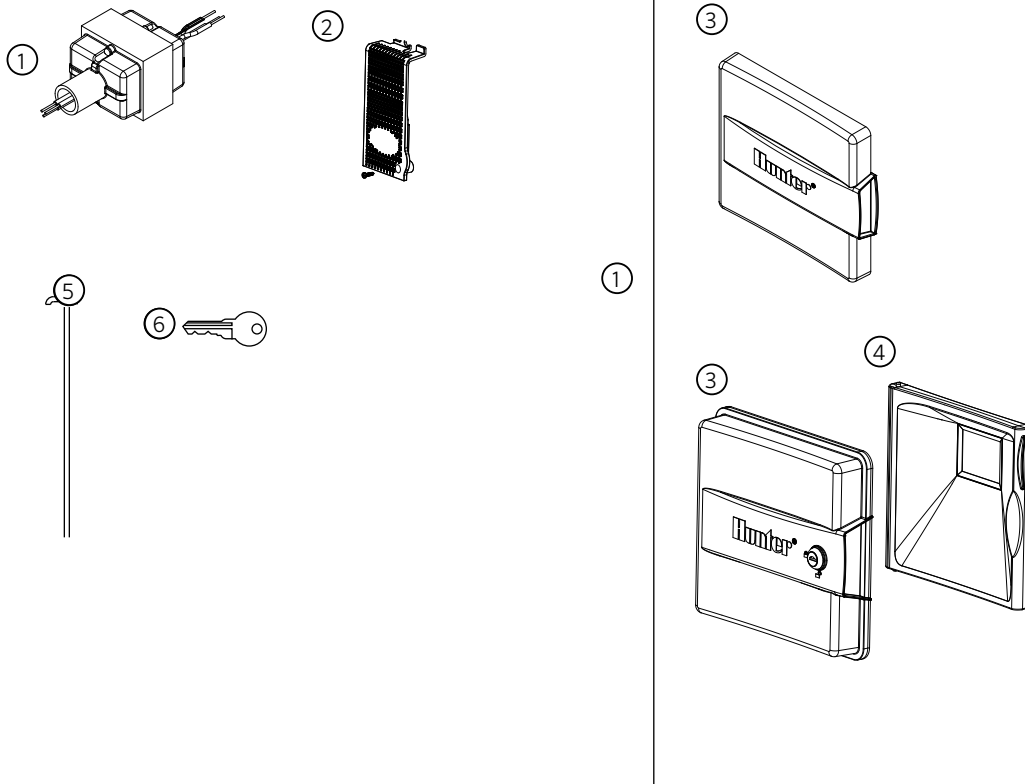
HPC: WiFi Controller

Item	Description	Code	AUD	
①	HPC Front Panel	HI-HPCFP	820.24	
②	Main Module	HI-820200	156.77	
	Ribbon Cable	HI-819900	41.88	
③	3-Station Expansion Module	HI-PCM300	190.04	
④	9-Station Expansion Module	HI-PCM900	704.45	
⑤	Outdoor Transformer 240/24VAC	HI-545600	111.67	
⑥	Key Set (2)	HI-122516	17.45	
⑦	Lock & Key Set	HI-387300	41.88	
⑧	Front Door (without lock) - Outdoor Unit	HI-463100	55.84	
⑨	Front Door Hinge Pin	HI-464400	7.01	
⑩	SmartPort® Wiring Harness	6' Wire	HI-ROAM-WH	50.60
		25' Wire Shielded	HI-ROAMSCWH	72.07



Pro-HC: WiFi Controller

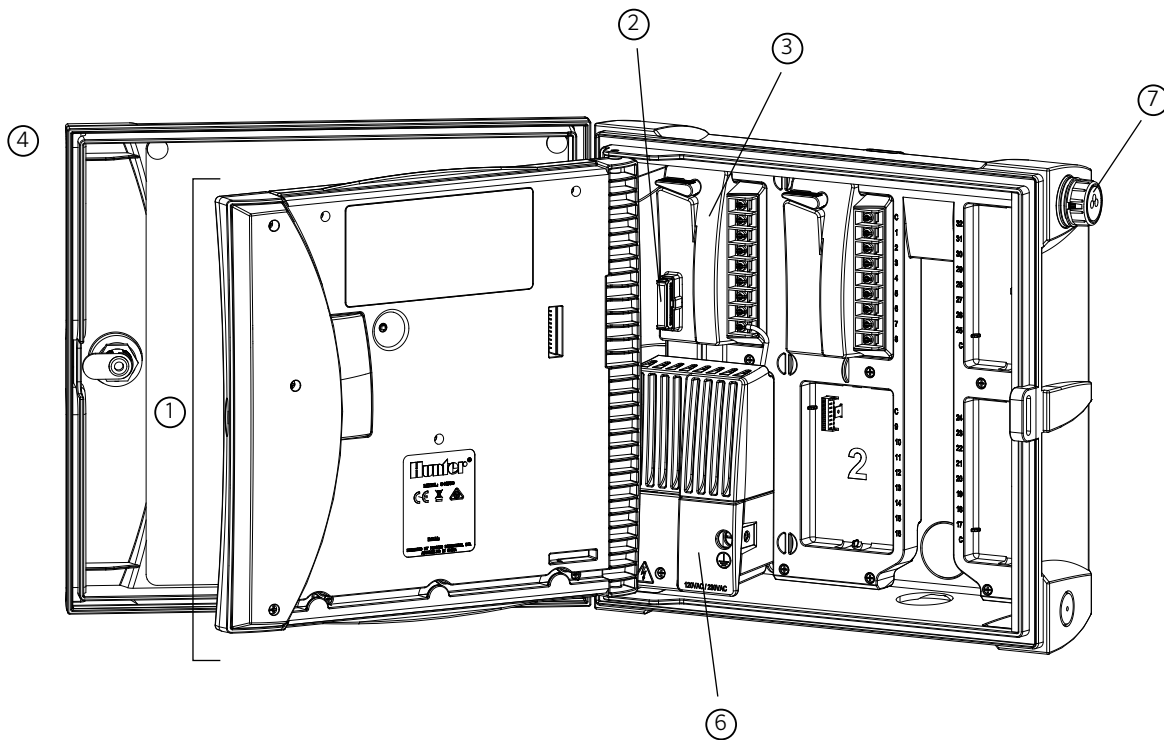
Item	Description	Code	AUD
①	Indoor Transformer	HI-545500	94.06
①	Outdoor Transformer	HI-545600	111.67
②	Junction Box Cover (Outdoor Model)	HI-930302	21.79
③	Front Door (Outdoor Model)	HI-930700	88.56
③	Front Door (Indoor Model)	HI-931400	68.37
④	Inside Panel	HI-930400	43.51
⑤	Hinge Pin	HI-464400	7.01
⑥	Key Set (2)	HI-122516	17.45



HCC: WiFi Controller, Plastic Cabinet

Item	Description	Code	AUD	
1	Front Panel	HI-941500	959.67	
2	Ribbon Cable	HI-819901	41.88	
3	Power Module	HI-941800	378.88	
4	Front Door (w/lock)	HI-917000	126.61	
5	Lock and Key Set	HI-387300	41.88	
6	Transformer*	HI-154628	122.92	
7	SmartPort® Wiring Harness	6' Wire	HI-ROAM-WH	50.60
		25' Wire Shielded	HI-ROAMSCWH	72.07

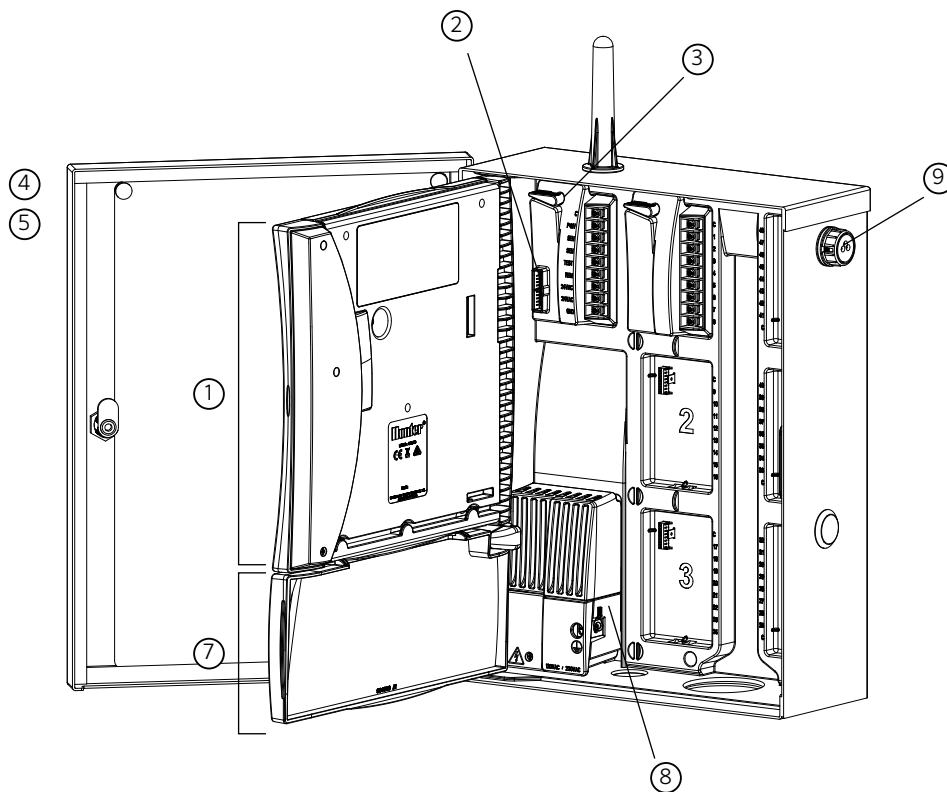
*Limited supplies. Contact Hunter Customer Service for replacement upgrade to 981700.



HCC: WiFi Controller, Metal Cabinet

Item	Description	Code	AUD
①	Front Panel	HI-941500	959.67
②	Ribbon Cable	HI-819901	41.88
③	Power Module	HI-941800	378.88
④	Metal Front Door (w/lock)	HI-917101	411.47
⑤	Stainless Steel Front Door (w/lock)	HI-917100	1,099.24
⑥	Lock and Key Set	HI-387300	41.88
⑦	Inner Door	HI-904000	63.30
⑧	Transformer*	HI-154628	122.92
⑨	SmartPort® Wiring Harness	6' Wire	HI-ROAM-WH 50.60
		25' Wire Shielded	HI-ROAMSCWH 72.07
	Pedestal for Metal Wall-Mount - Grey	HI-ICCPED	2,096.99
	Pedestal for Stainless Wall-Mount - SS	HI-ICCPEDSS	4,218.47
	Pedestal Wiring Board for Metal Pedestals (Optional)	HI-ICCPWB	950.22

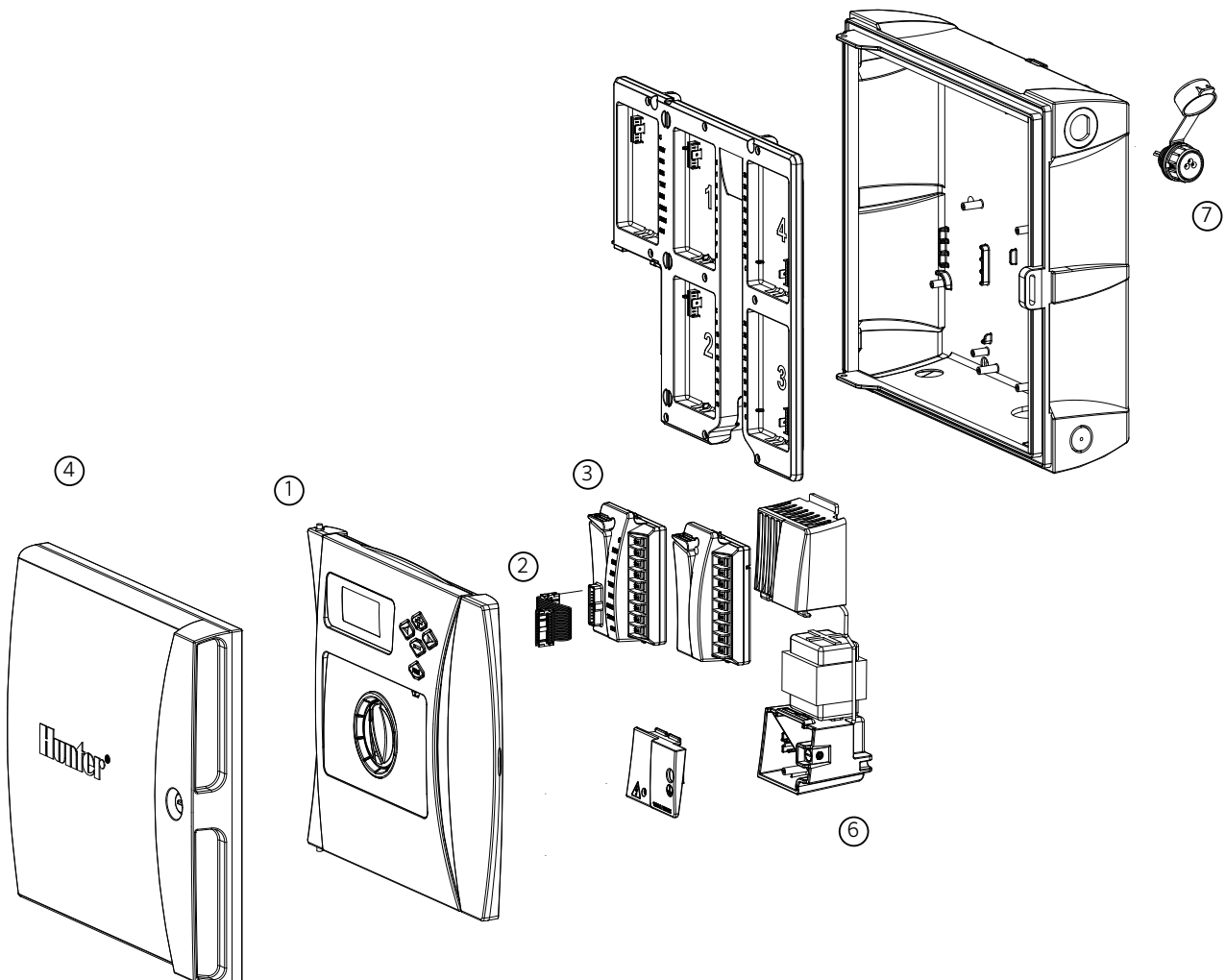
*Limited supplies. Contact Hunter Customer Service for replacement upgrade to 981700.



ICC2: Plastic Cabinet

Item	Description	Code	AUD	
1	Front Panel	HI-904700	610.70	
2	Ribbon Cable	HI-819901	41.88	
3	Power Module	HI-904600	471.12	
4	Front Door (w/lock)	HI-917000	126.61	
5	Lock and Key Set	HI-387300	41.88	
6	Transformer*	HI-154628	122.92	
7	SmartPort® Wiring Harness	6' Wire	HI-ROAM-WH	50.60
		25' Wire Shielded	HI-ROAMSCWH	72.07

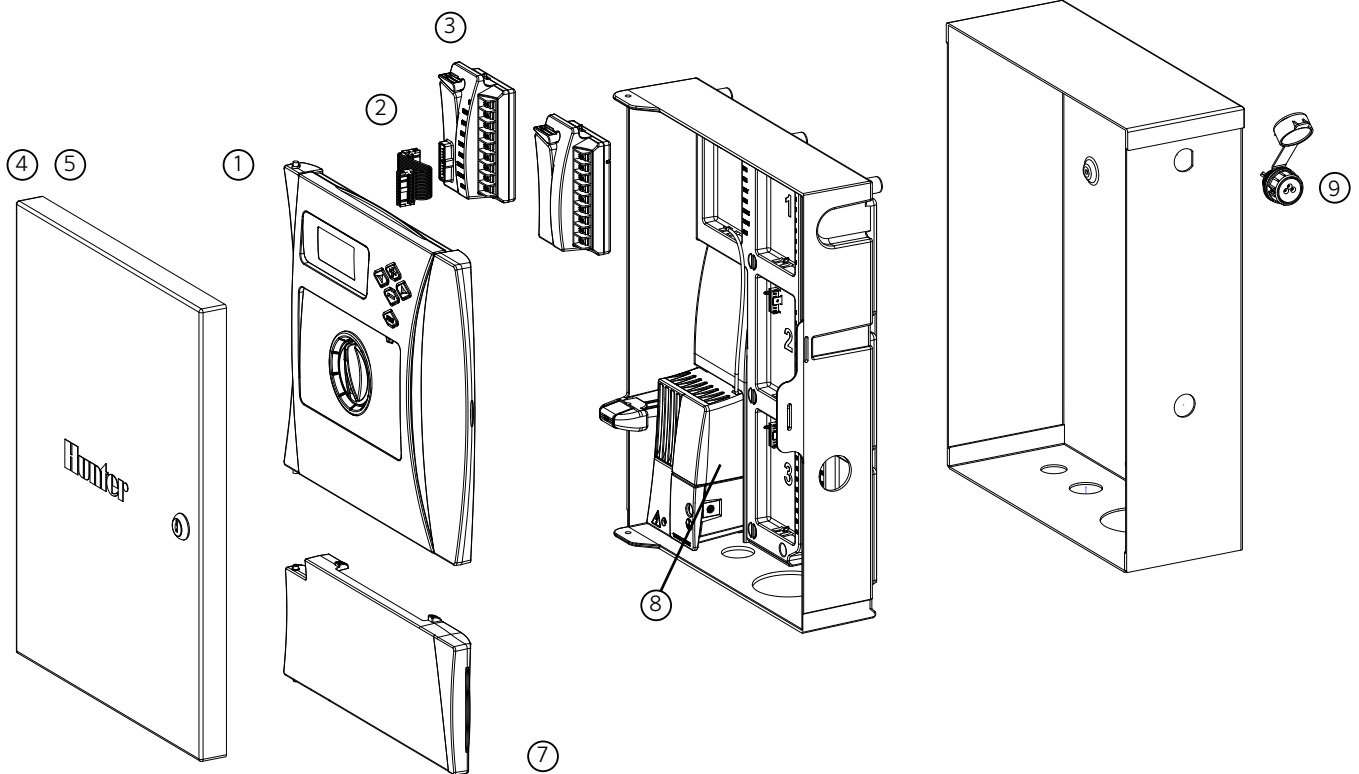
*Limited supplies. Contact Hunter Customer Service for replacement upgrade to 981700.



ICC2: Metal Cabinet

Item	Description	Code	AUD
①	Front Panel	HI-904700	610.70
②	Ribbon Cable	HI-819901	41.88
③	Power Module	HI-904600	471.12
④	Metal Front Door (w/lock)	HI-917101	411.47
⑤	Stainless Steel Front Door (w/lock)	HI-917100	1,099.24
⑥	Lock and Key Set	HI-387300	41.88
⑦	Inner Door	HI-904000	63.30
⑧	Transformer*	HI-154628	122.92
⑨	SmartPort® Wiring Harness	6' Wire	HI-ROAM-WH 50.60
		25' Wire Shielded	HI-ROAMSCWH 72.07

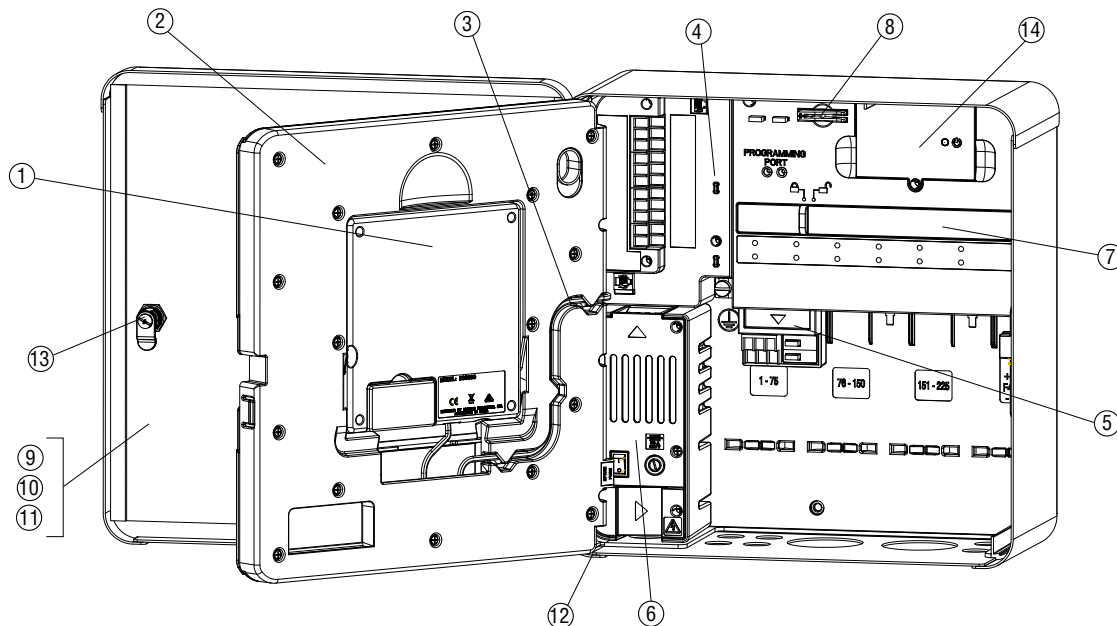
*Limited supplies. Contact Hunter Customer Service for replacement upgrade to 981700.



ACC2 Decoder Replacement Parts A2C-75D-M, A2C-75D-P

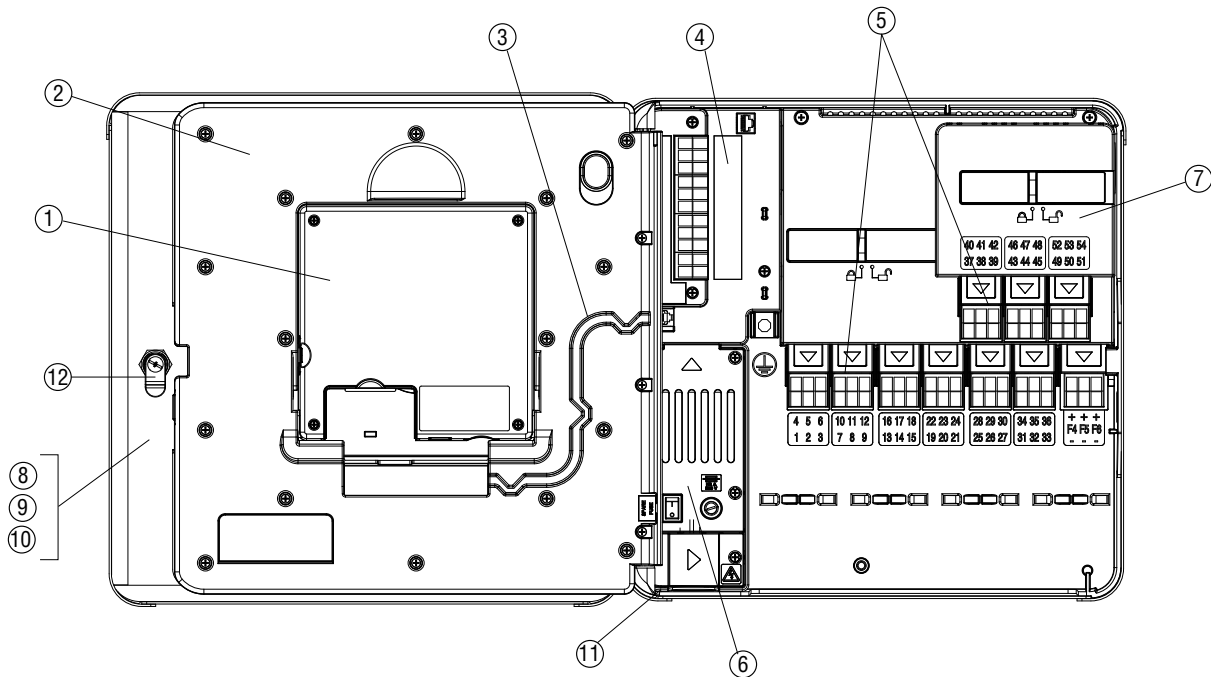
Item	Description	Code	AUD
1	Replacement Facepack	HI-889900	1,497.04
2	Facepack Door Frame	HI-889300	290.34
3	Facepack Cable	HI-892700	41.88
	Facepack Cable, Long (Pedestal Configurations)	HI-892701	52.36
4	Power Supply Board	HI-889000	694.44
5	Station Output Module-75 (Decoder Version Only)	HI-A2CD75	2,336.80
6	Transformer Assembly	HI-885600	415.29
7	Deck Assembly, Decoder (DecoderVersion Only), Inc. PCU Board	HI-884301	558.33
8	ACC2 Decoder Fuse Tool	HI-189784	54.45
9	Gray Metal Front Door Assembly, Inc. Lock	HI-893000	435.51
10	Stainless Front Door Assembly, Inc. Lock	HI-893001	725.84
11	Plastic Front Door Assembly, Inc. Lock	HI-943200	217.75
12	Hinge Pin for Plastic Door, Only	HI-800501	18.13
13	Door Lock (751 Key)	HI-893200	42.07
	Wall Mount Bracket	HI-893400	124.67
14	PCU Board (Decoder Version Only)	HI-925200	452.38
	Replacement Transformer Fuses, 10 Pack	HI-960300	36.29
	Hole Plug Kit (Inc. Wire Nuts, Terminal Block, etc.)	HI-968200	43.54

Description	Code	AUD
Alternative Wall Mount Key/Lock Assembly (Key 701)	HI-387301	41.88
Alternative Wall Mount Key/Lock Assembly (Key 702)	HI-387302	41.88
Alternative Wall Mount Key/Lock Assembly (Key 703)	HI-387303	41.88
Grey Metal Pedestal for use with I-Core, ACC, and ACC2 Controllers	HI-ACCPED	2,192.74



ACC2 Conventional Replacement Parts A2C-1200-M, A2C-1200-P

Item	Description	Code	AUD	Description	Code	AUD
1	Replacement Facepack	HI-889900	1,497.04	Alternative Wall Mount Key/Lock Assembly (Key 701)	HI-387301	41.88
2	Facepack Door Frame	HI-889300	290.34	Alternative Wall Mount Key/Lock Assembly (Key 702)	HI-387302	41.88
3	Facepack Cable	HI-892700	41.88	Alternative Wall Mount Key/Lock Assembly (Key 703)	HI-387303	41.88
	Facepack Cable, Long (Pedestal Configurations)	HI-892701	52.36	Stainless Steel Pedestal for use with I-Core, ACC, and ACC2 Controllers	HI-PEDSS	4,091.94
4	Power Supply Board	HI-889000	694.44			
5	6-Station Output Module	HI-A2M600	1,361.13			
6	Transformer Assembly	HI-885600	415.29			
7	Deck Assembly, Conventional	HI-884200	474.78			
8	Gray Metal Front Door Assembly, Inc. Lock	HI-893000	435.51			
9	Stainless Front Door Assembly, Inc. Lock	HI-893001	725.84			
10	Plastic Front Door Assembly, Inc. Lock	HI-943200	217.75			
11	Hinge Pin	HI-800501	18.13			
12	Door Lock (751 Key)	HI-893200	42.07			
	Wall Mount Bracket	HI-893400	124.67			
	Replacement Transformer Fuses, 10 Pack	HI-960300	36.29			
	Hole Plug Kit (Inc. Wire Nuts, Terminal Block, etc.)	HI-968200	43.54			



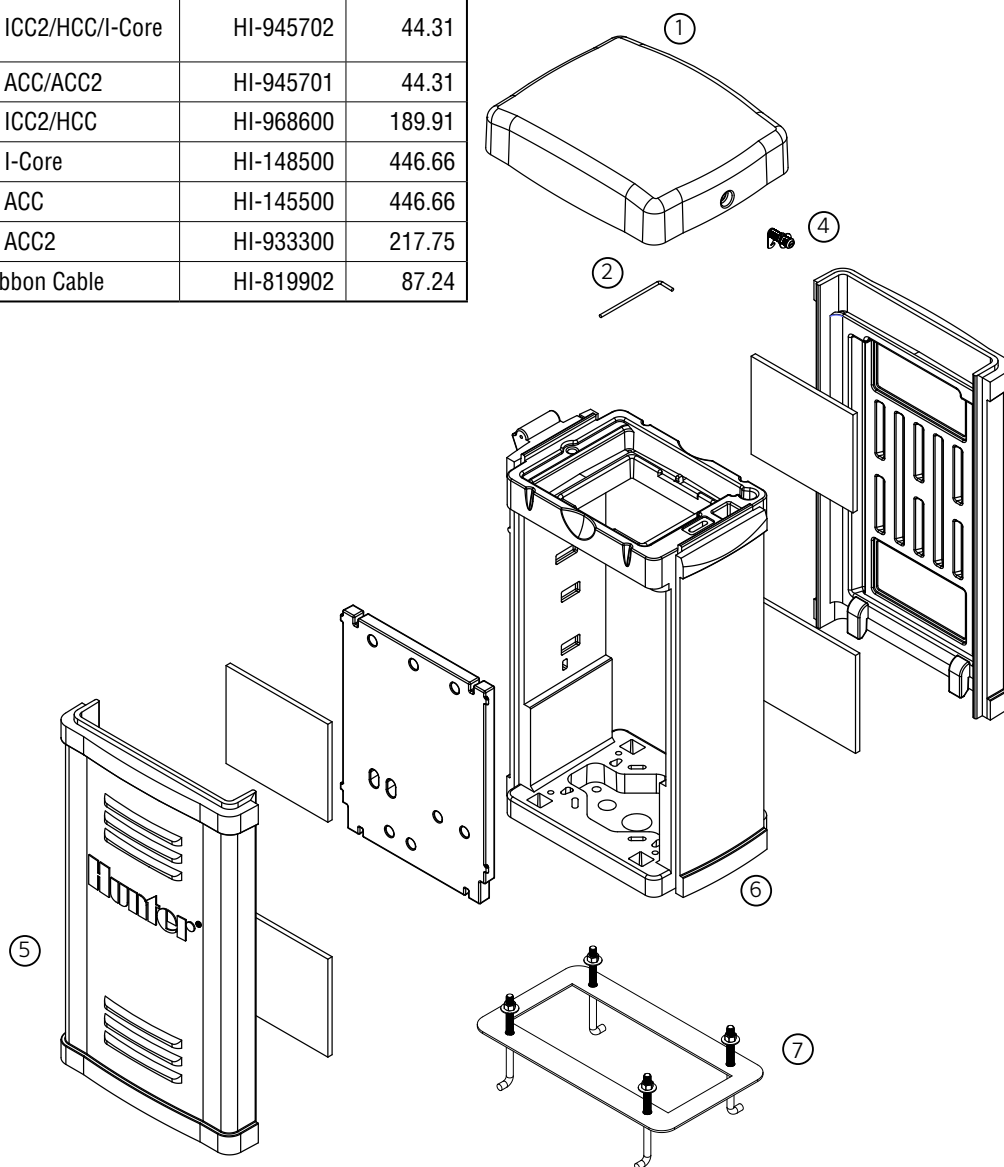
Plastic Pedestal (2017 to Present)

Beginning in 2017, plastic pedestals for all controllers changed to a new design. Models affected include the original ICC, I-Core[®], and ACC controllers. (Note: ACC2, ICC2, and HCC controllers have only been offered with the new design.)

Parts for the new design are not interchangeable with the older design. Before ordering replacement parts, be sure to correctly identify which pedestal you have. While all plastic parts between the two pedestals are different, the easiest way to determine what style you have is to look at the door design:

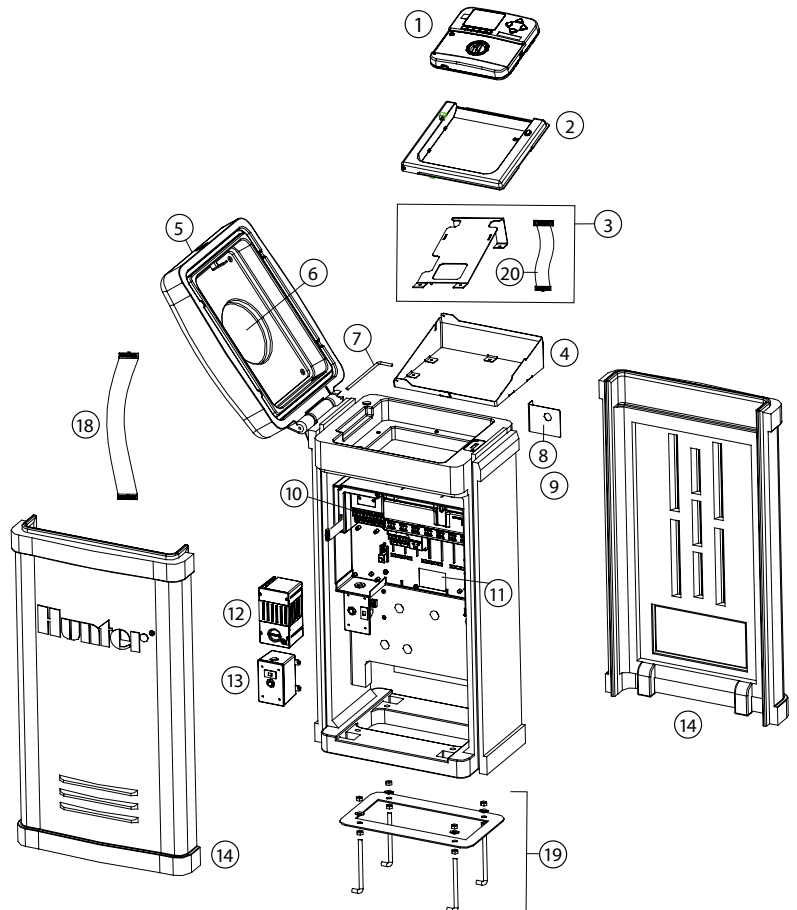
- Old style: Air vents are located only on the bottom of the door (below the Hunter logo).
- New style: Air vents are located on the top and bottom of the door (above and below the Hunter logo)

Item	Description	Code	AUD	
①	Lid Kit (inc. key lock)	HI-512300	643.95	
②	Hinge Pin	HI-558400	73.26	
③	Lock & Key Set	HI-558000	55.84	
④	Key Set (2)	HI-122516	17.45	
⑤	Access Door (inc. foam screens)	HI-511800	1,150.16	
⑥	Full Pedestal Shell (doors, lid, divider, etc.)	HI-806601	7,912.98	
⑦	Mounting Template Kit	HI-581700	233.82	
⑧	SmartPort Kit (mounting bracket, screws, conduit nut, SmartPort assembly)*	ICC2/HCC/I-Core	HI-945702	44.31
		ACC/ACC2	HI-945701	44.31
⑨	Facepack Adapter	ICC2/HCC	HI-968600	189.91
		I-Core	HI-148500	446.66
		ACC	HI-145500	446.66
		ACC2	HI-933300	217.75
HCC/ICC2 Plastic Pedestal Ribbon Cable		HI-819902	87.24	



ACC Pedestal Controllers

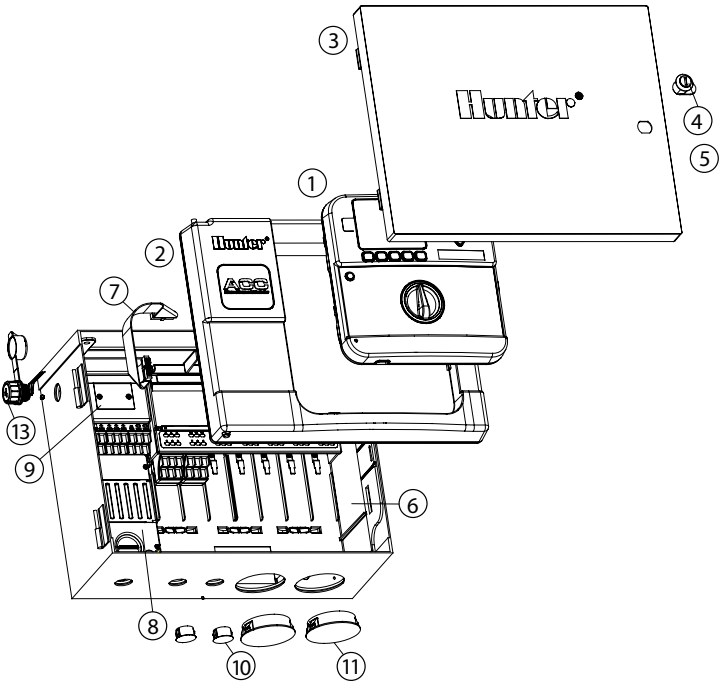
Item	Description	Code	AUD
①	Front Faceplate Face Pack (ACC)	HI-571500	1,395.85
	Front Face Pack (AGC)	HI-571505	1,308.61
②	Front Face Pack Door only	HI-620000	558.33
③	Plastic Ped Com and Radio Bracket, including Ribbon Cable	HI-APPBRKT	352.77
④	Frame Adapter	HI-145500	446.66
⑤	Lid including Lock	HI-553305	471.12
⑥	Lid Antenna for Ped, UHF	HI-IMMSANT2	0.00
⑦	Lid Hinge Pin	HI-558400	73.26
⑧	SmartPort® Bracket	HI-576000	87.24
⑨	SmartPort® Wiring Harness	HI-112210	224.02
⑩	Master Module	HI-572000	659.53
⑪	Decoder Output Module	HI-ADM99	4,277.17
	6-Station Output Module*	HI-A2M600	1,361.13
⑫	Transformer Assembly	HI-587000	355.95
⑬	J Box	HI-145410	474.59
⑭	Pedestal Door with Screen	HI-553205	711.89
⑮	Lock & Key Set (Not shown)	HI-558000	55.84
⑯	Key Set (2) (Not shown)	HI-122516	17.45
⑰	ACC Ped Inner Panel Cabinet with Transformer	HI-621230	2,791.70
⑱	Ribbon, Inner Controller to Facepack Door	HI-585105	167.51
⑲	Mounting Template Kit, includes Template #558600, and Hardware #420200	HI-581700	233.82
⑳	Ribbon, Extension for Com Modules in Pedestals	HI-619900	101.19
㉑	Mounting Template only	HI-558600	76.79
㉒	Mounting Hardware only	HI-420200	174.48



*Replaces ACM-600 and AGM-600 which are no longer available

ACC Wall Mount Controllers

Item	Description	Code	AUD
1	Front Faceplate Face Pack	HI-571500	1,395.85
2	Front Face Pack Door Frame	HI-589000	558.33
3	Metal Front Door w/o Lock	HI-585500	379.82
4	Lock & Key Set (Not Shown)	HI-387300	41.88
5	Key Set (2) (Not shown)	HI-122516	17.45
6	Shell kit, includes metal cabinet, plastic backplane, transformer, no modules*	HI-ACCSHELLKIT	1,221.39
7	Door Ribbon Cable (Wall mount only)	HI-585100	174.48
8	Transformer Assembly	HI-587000	355.95
9	Master Module	HI-572000	659.53
10	Small Hole Plug	HI-654400	66.32
11	Large Hole Plug	HI-654500	87.24
12	6-Station Output Module	HI-A2M600	1,361.13
13	SmartPort® Assembly including Nut	HI-112200	184.93
14	Decoder Output Module	HI-ADM99	4,277.17

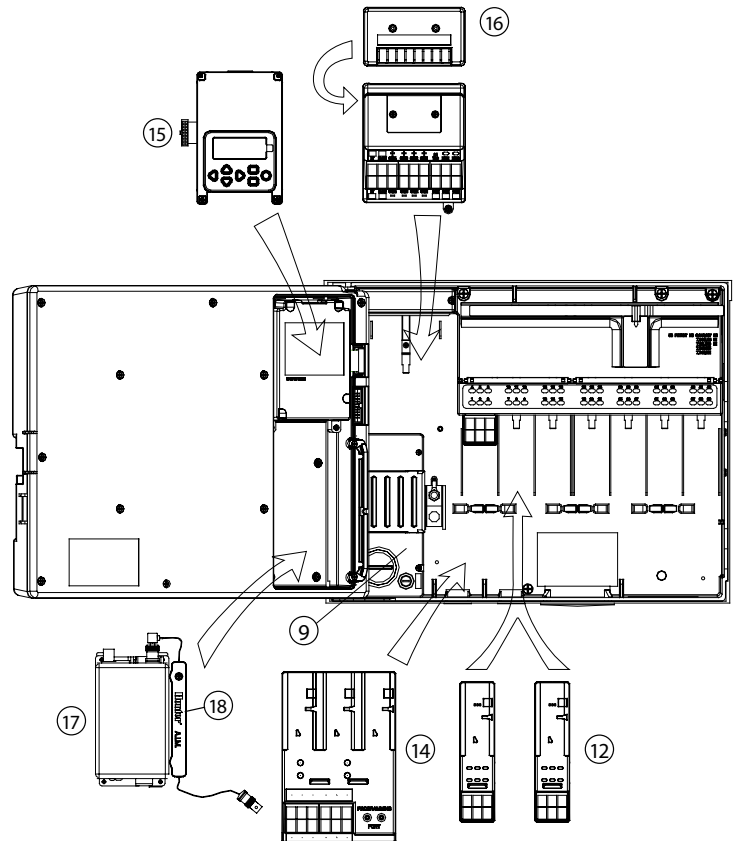


*Replaces part 586005 which is no longer available

** Replaces ACM-600 and AGM-600 which are no longer available

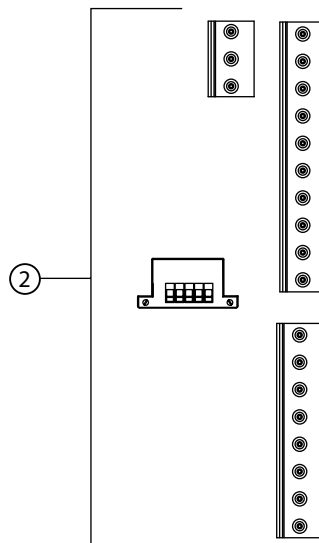
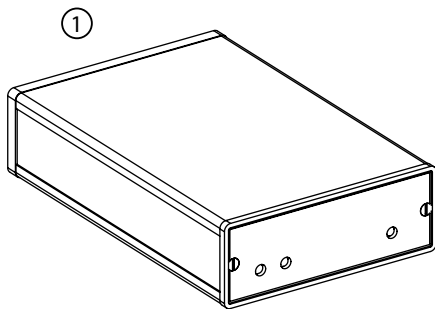
Communications Modules and Parts

Item	Description	Code	AUD
15	Com module for dial-up (POTS)	HI-ACCCOMPOTS	--
15	Com module for radio and hardwire only	HI-ACCCOMHWR	3,113.92
15	Com module for Ethernet	HI-ACCCOMLAN	5,203.02
15	Com module for GPRS	HI-ACCCOMGPRS	9,332.67
16	Hardwire Interface Module	HI-ACCHWIM	1,206.81
	Antenna for GSM or GPRS not shown	HI-666261	401.30
17	UHF radio (No antenna)	HI-RAD3	8,292.41
18	Antenna Isolation Module	HI-AIMBNC	97.72



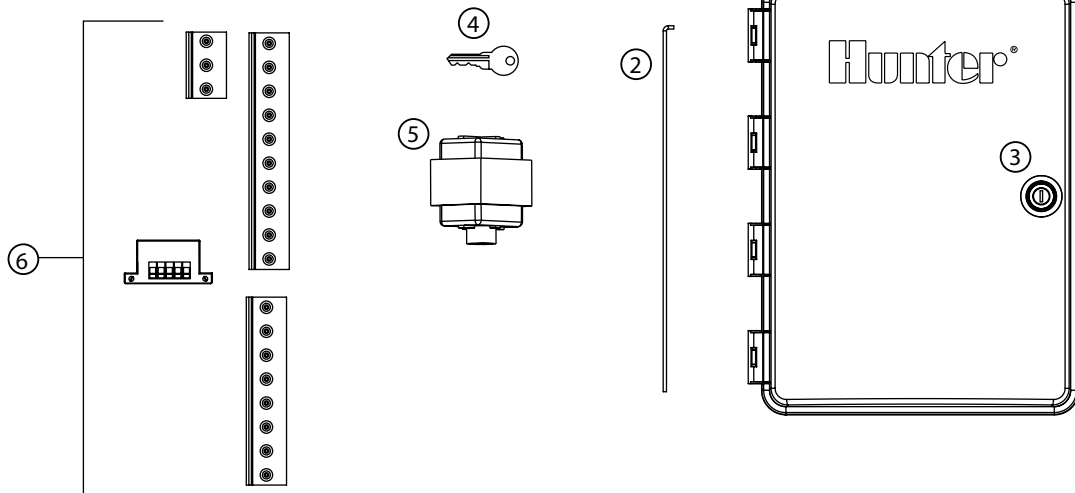
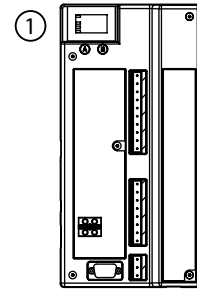
IMMS-CCC: Irrigation Management and Monitoring System

Item	Description	Code	AUD
②	Central Computer Communications Unit AU/NZ	HI-IMMSCCCA	2,953.36
③	Terminal Plugs (1 CCC GCBL & 1 Set of Interface plugs)	HI-629800	122.15



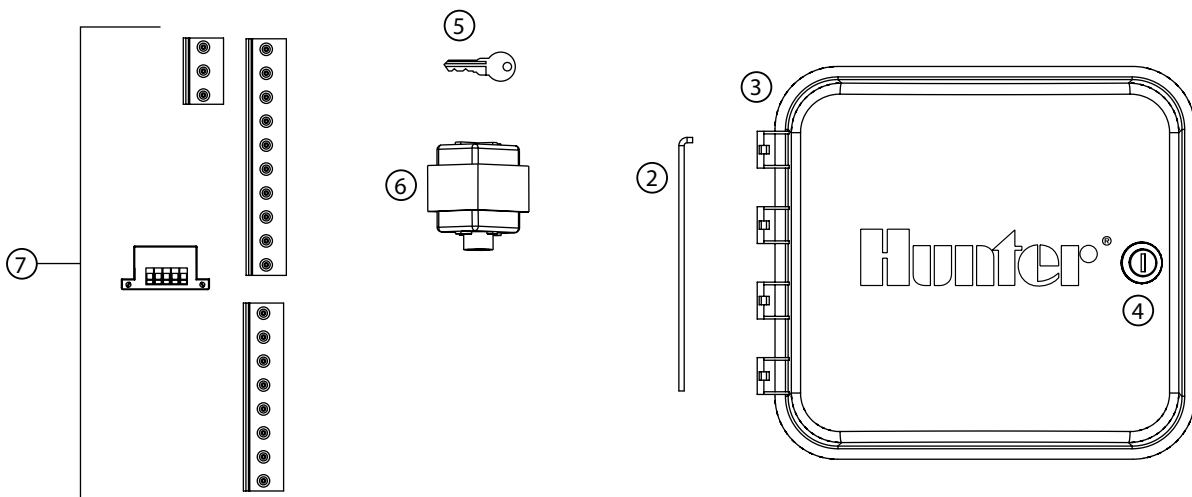
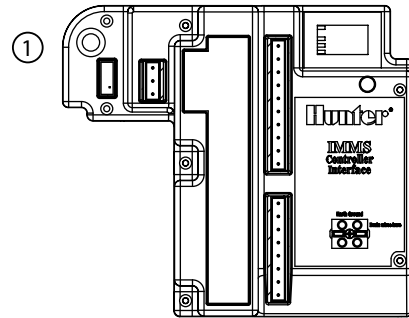
IMMS-SI: Irrigation Management and Monitoring System

Item	Description	Code	AUD
①	Front Door Hinge Pin	HI-513005	9.50
②	Lock Assembly and Key	HI-387300	41.88
③	Key Set (2)	HI-122516	17.45
④	Transformer 230/24VAC	HI-545600	111.67
⑤	Terminal Plugs (All)	HI-629800	122.15



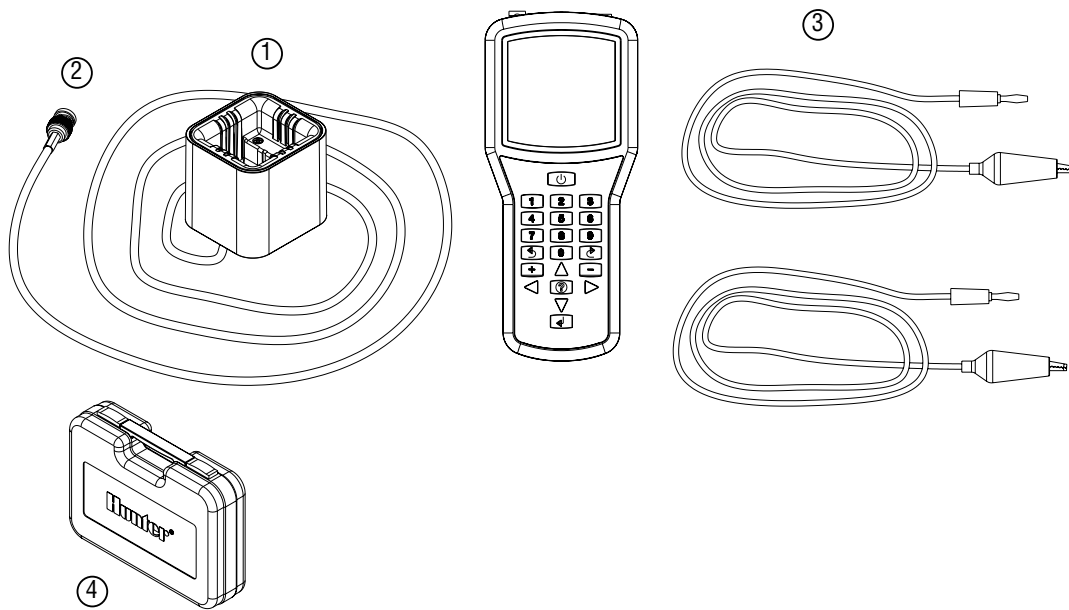
HI-IMMS-CI: Irrigation Management and Monitoring System™

Item	Description	Code	AUD
①	Front Door Hinge Pin	HI-464400	7.01
②	Plastic Front Door (Without Lock)	HI-463105	50.64
③	Lock Assembly and Key	HI-387300	41.88
④	Key Set (2)	HI-122516	17.45
⑤	Transformer 230/24VAC	HI-468005	94.96
⑥	Terminal Plugs (All)	HI-629800	122.15



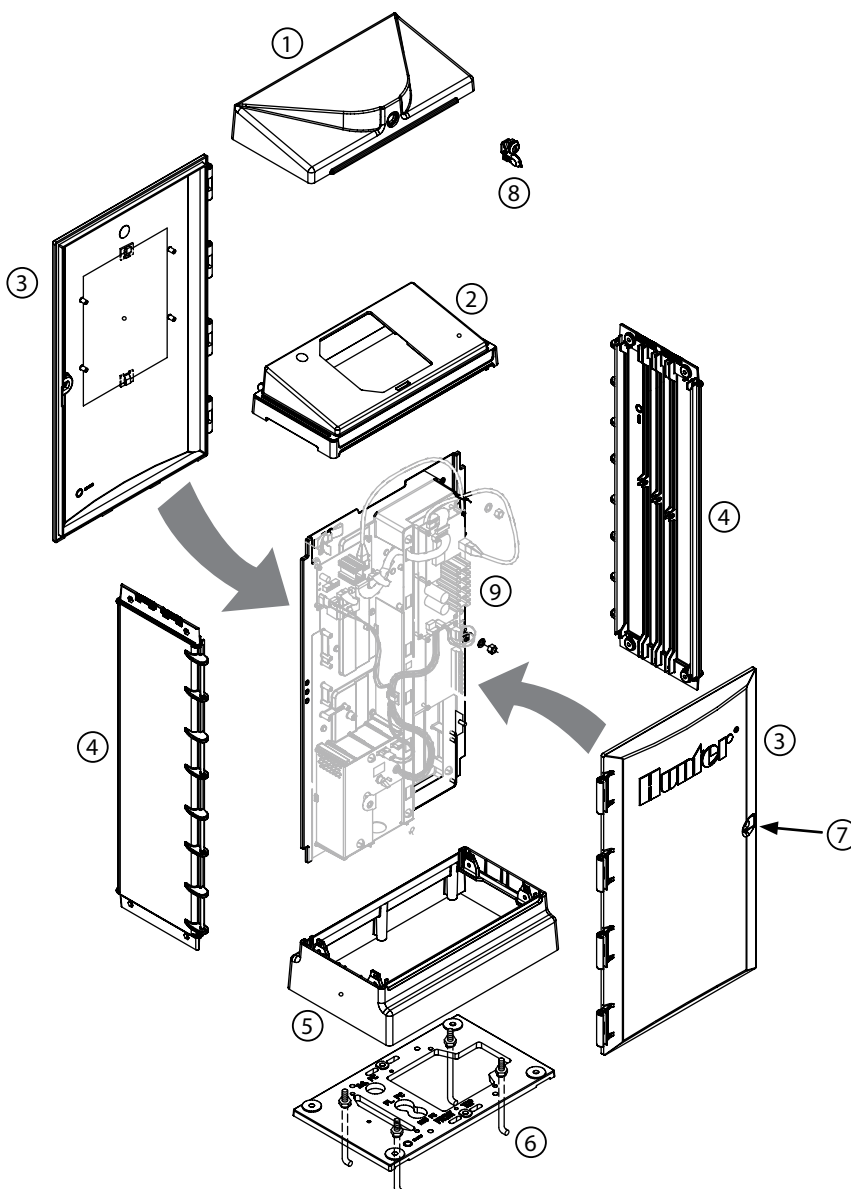
ICD-HP Components

Item	Description	Code	AUD
①	Programming Cup	HI-177600	348.97
②	Programming cable 6' (2m) with Connectors	HI-180504	73.26
③	Red and Blue 6' (2m) Leads	HI-180508	69.79
④	Carrying Case	HI-205800	261.73



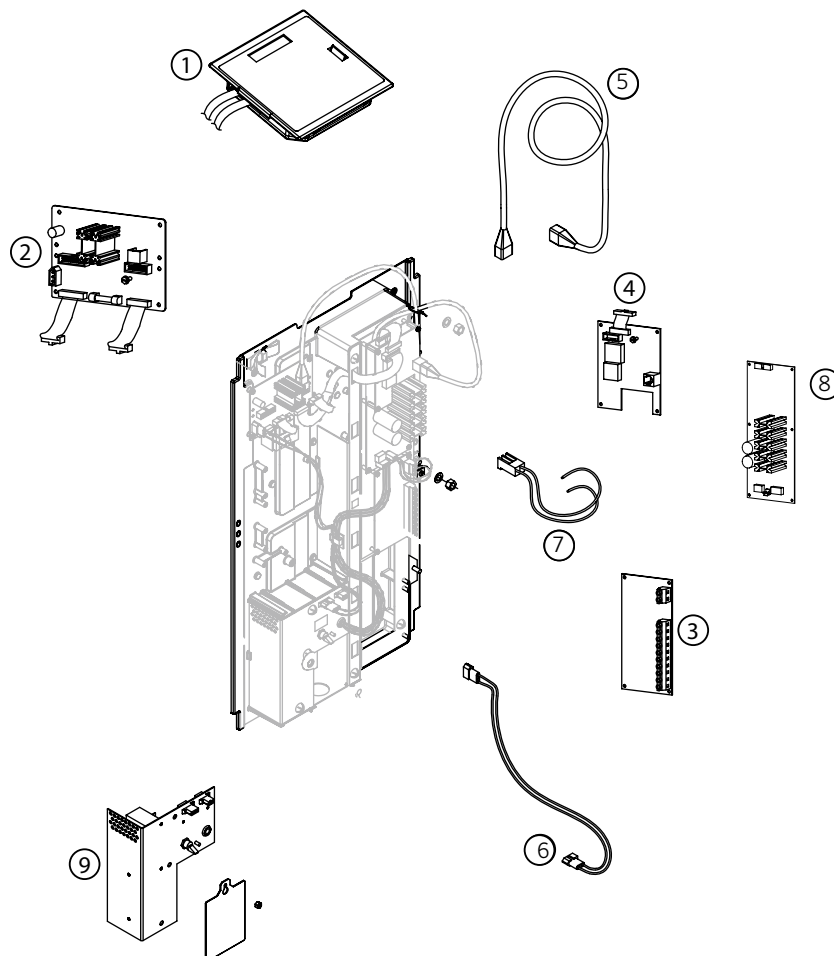
IDS: Plastic Pedestal

Item	Description	Code	AUD
①	Lid Kit	HI-FCPLKT	1,803.94
②	Cap Kit	HI-FCPCKT	1,195.74
③	Door Kit (1 per kit)	HI-FCPDKT	1,737.72
④	Side Kit	HI-FCPSKT	1,944.63
⑤	Base Kit	HI-FCPBKT	1,870.14
⑥	Template Kit	HI-TEMPLT2	600.03
⑦	Lock Assembly, Door	HI-FCPDLKT	893.26
⑧	Lock Assembly, Lid	HI-FCPLLKT	955.80
⑨	Plastic backplane for mounting electronic components (Also rear panel of wall mount, includes gasket tape – NO components)	HI-BACKPLANEKT	1,218.60
ALL	Complete Plastic Pedestal (No components)	HI-PEDP1	7,704.72



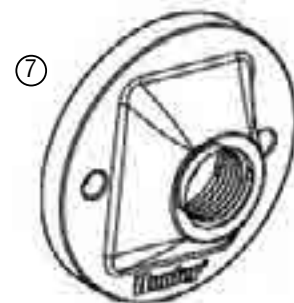
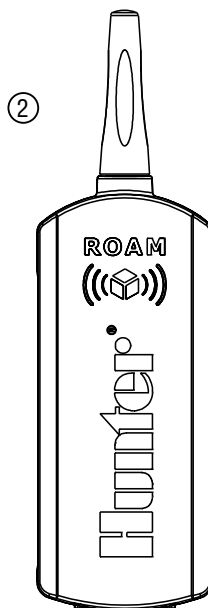
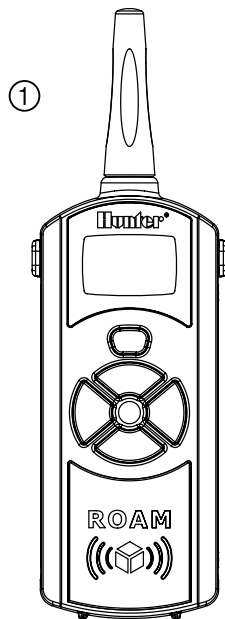
IDS: Controller Components

Item	Description	Code	AUD
①	IDS Facepack Kit	HI-IDSKTFP	3,360.51
②	Decoder Power Supply Board Kit	HI-VKTPSB2	2,441.13
③	Decoder Lightning/Output Board	HI-VLPTKT	4,427.12
④	Decoder CPU Board	HI-VCPUKT	5,709.73
⑤	RJ45 Cable	HI-516238	75.96
	IDS Instruction Card/Zone Label Inside door (not shown)	HI-562242	31.65
⑥	Power Supply Board Wire Harness	HI-516140	104.45
⑦	Transmitter Cable	HI-516143	47.48
⑧	Viking Transmitter Board	HI-VTRNSKT	11,998.74
Transformer Options			
⑨	Decoder Transformer Kit 110 VAC (Plastic and S Series)	HI-FCPVKTTFR2	1,595.26



ROAM: Remote Control Unit

Item	Description	Code	AUD	
①	ROAM Transmitter	HI-ROAMTR	573.41	
②	ROAM Receiver	HI-ROAMR	507.88	
③	SmartPort® Wiring Harness	6' Wire	HI-ROAM-WH	50.60
		25' Wire - Shielded	HI-ROAMSCWH	72.07
④	SmartPort Wall Mount Bracket	HI-258200	7.85	

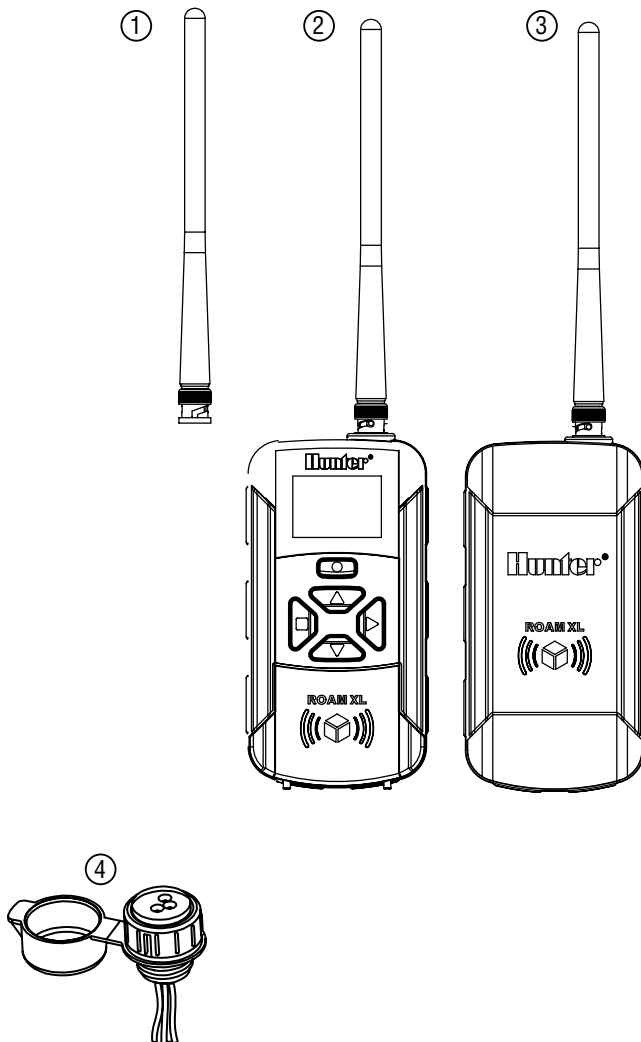


ICR: Remote Control Unit

Item	Description	Code
①	ICR Transmitter	See HI-ROAMXLTR
②	ICR Receiver	See HI-ROAMXLR

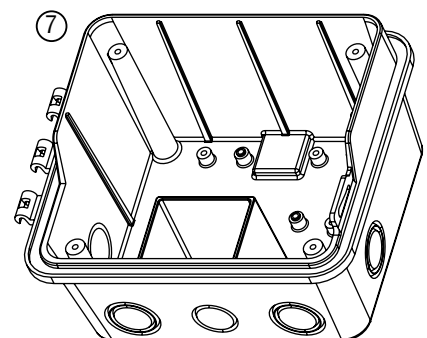
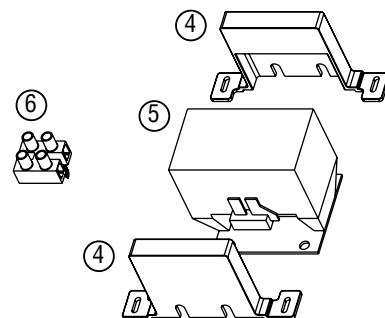
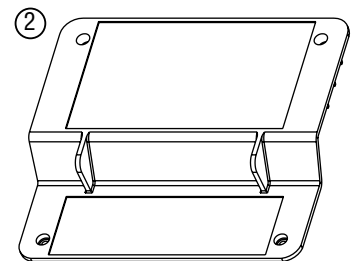
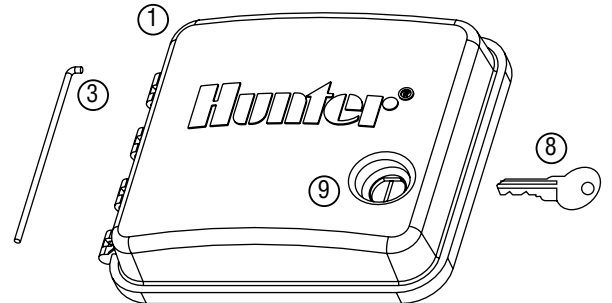
ROAM XL: Remote Control Unit

Item	Description	Code	AUD	
①	ROAM XL Antenna	HI-522701	112.04	
②	ROAM XL Transmitter	HI-ROAMXLTR	2,129.74	
③	ROAM XL Receiver	HI-ROAMXLR	1,605.48	
④	SmartPort [®] Wiring Harness	6' Wire	HI-ROAM-WH	50.60
		25' Wire - Shielded	HI-ROAMSCWH	72.07



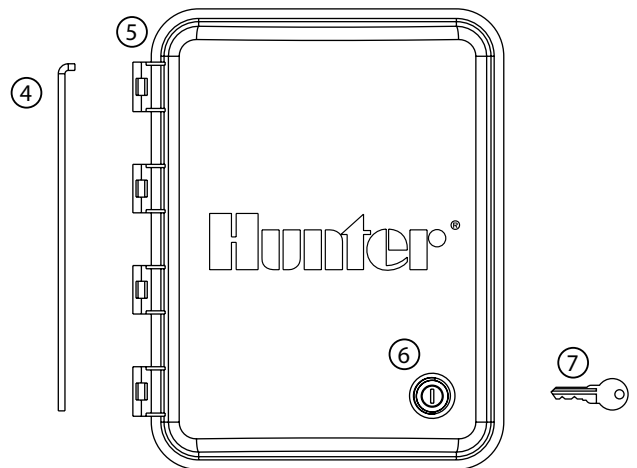
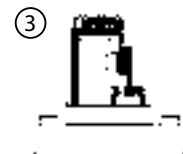
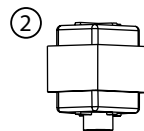
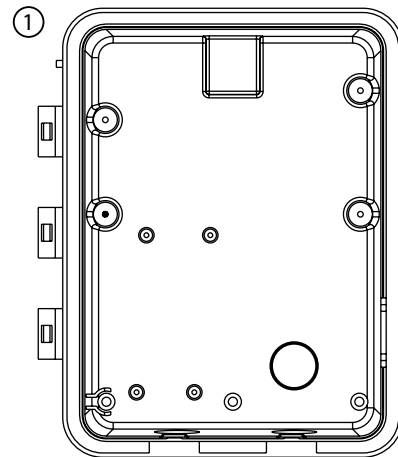
PSR: Pump Start Relay

Item	Description	Code	AUD
1	Door without Lock	HI-468800	47.48
2	Door Hinge Pin	HI-469000	6.33
3	Contactors	PSR-22	169.35
4	Grounding Block	HI-501600	7.50
5	Cabinet	HI-468700	47.48
6	Key Set (2)	HI-122516	17.45
7	Lock & Key Set	HI-387300	41.88



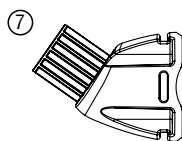
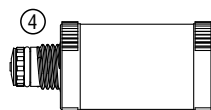
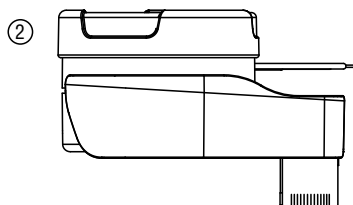
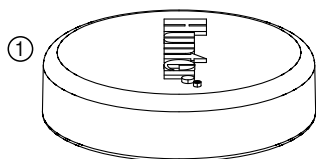
PSR-B: Pump Start Relay Booster

Item	Description	Code	AUD
1	Cabinet	HI-527100	94.22
2	Transformer (Dual Voltage 110/220 24V 40VA)	HI-154628	122.92
3	Heavy Duty DPDT Relay	HI-REL2	117.58
4	Door Hinge Pin	HI-429200	7.01
5	Front Door	HI-428000	55.84
6	Lock and Key Set	HI-387300	41.88
7	Key Set (2)	HI-122516	17.45



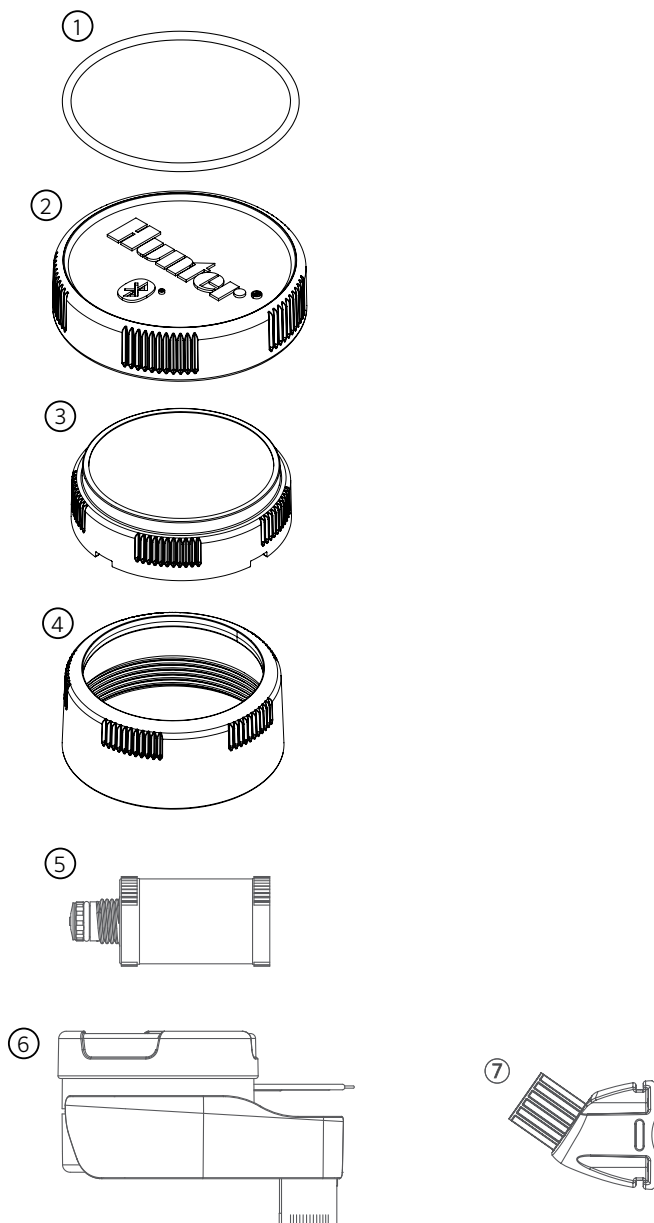
NODE Controllers, Battery Operated

Item	Description	Code	AUD
①	Rubber Cover	HI-297100	17.45
②	Tray Holder	HI-881600	17.45
③	O-Ring	HI-252105	7.01
④	DC Latching Solenoid	HI-458200	66.31
⑤	Solar Battery Charger	HI-517500	418.76
⑥	Solar Panel with Mounting Assembly	HI-517300	383.88
⑦	Mounting Adapter	HI-951500	17.45



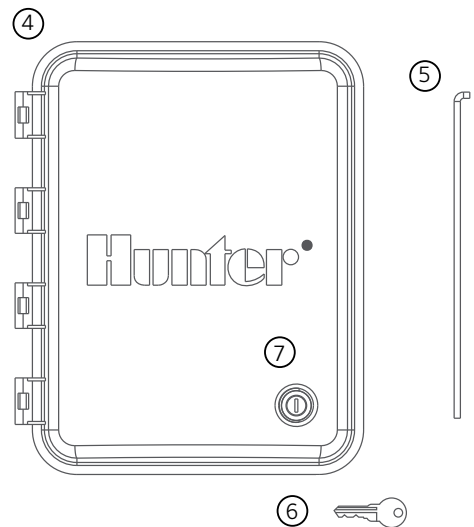
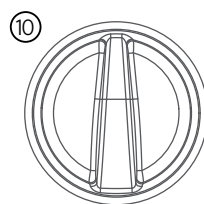
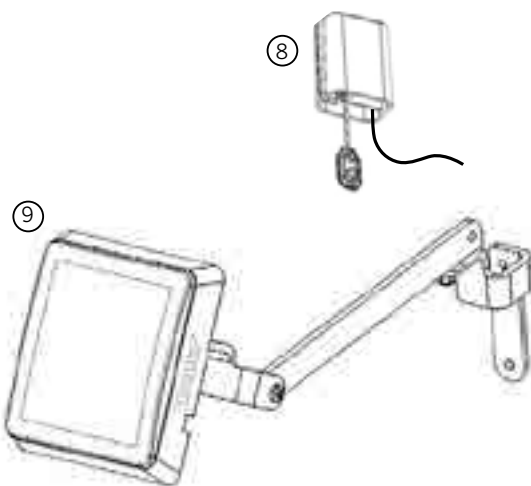
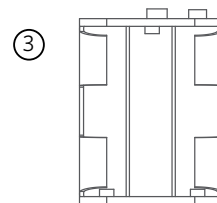
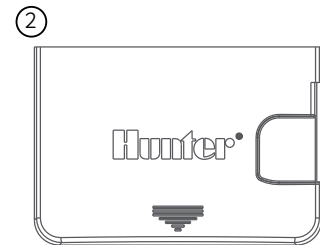
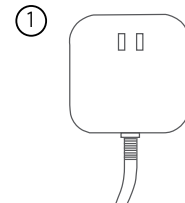
NODE-BT: Bluetooth Battery-Powered Controller

Item	Description	Code	AUD
①	Rubber Cover	HI-966600	7.01
②	Tray Holder	HI-967200	17.45
③	O-Ring	HI-966800	17.45
④	DC Latching Solenoid	HI-967100	17.45
⑤	Solar Battery Charger	HI-458200	66.31
⑥	Solar Panel with Mounting Assembly	HI-881600	17.45
⑦	Mounting Adapter	HI-951500	17.45



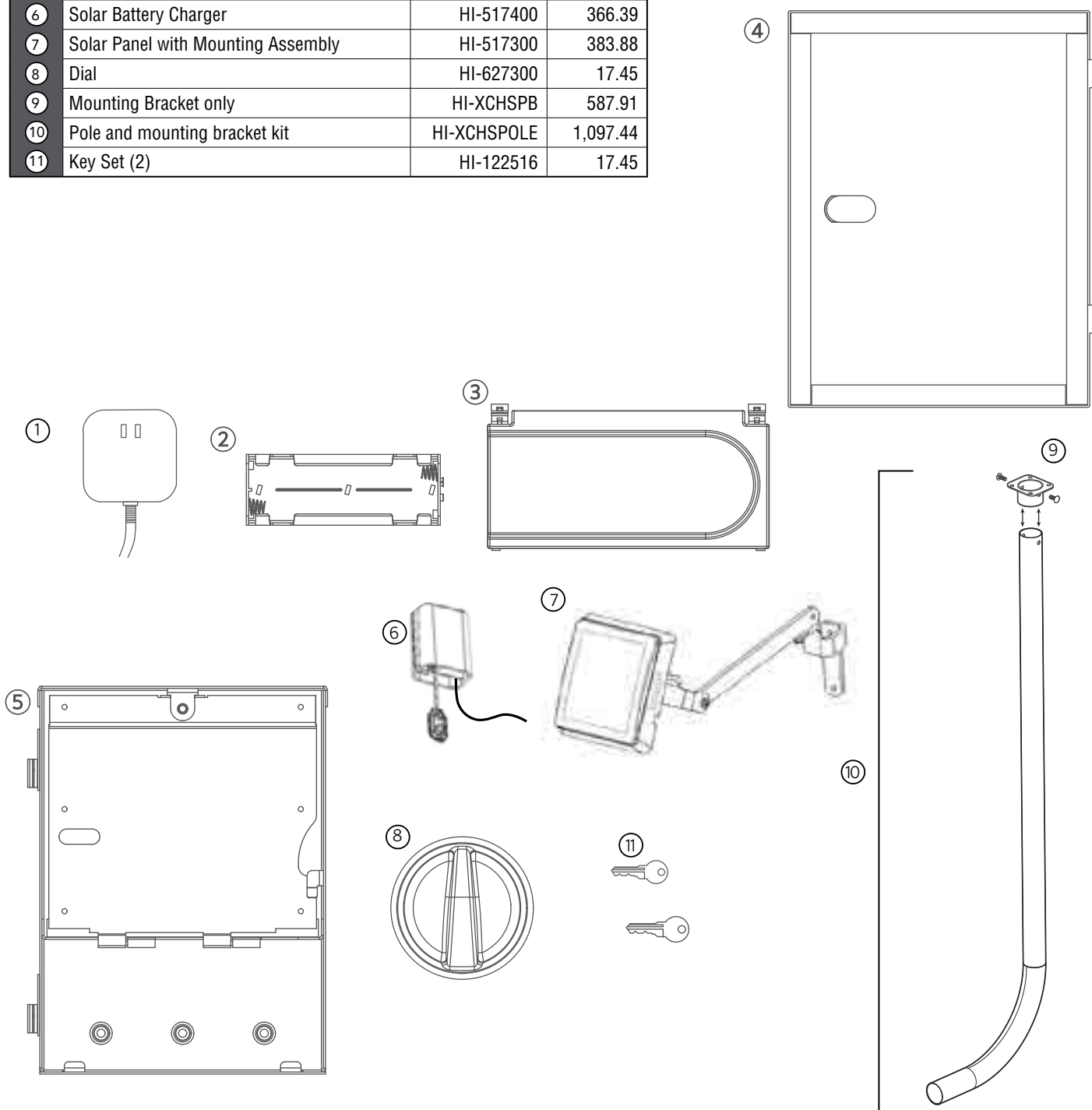
XC Hybrid: Battery-Powered Plastic Controller

Item	Description	Code	AUD	
①	Indoor Transformer 240/24VAC (Australian)	HI-545500	94.06	
②	Access Door	Outdoor Model	HI-471010	17.45
③	Battery Holder (6AA Not Included)	HI-152200	34.91	
④	Front Door	HI-428000	55.84	
⑤	Front Door Hinge Pin	HI-429200	7.01	
⑥	Key Set (2)	HI-122516	17.45	
⑦	Lock & Key Set	HI-387300	41.88	
⑧	Solar Panel Charging Unit for XCH	HI-517400	366.39	
⑨	Solar Panel Replacement Assambly	HI-517300	383.88	
⑩	Dial	HI-627300	17.45	



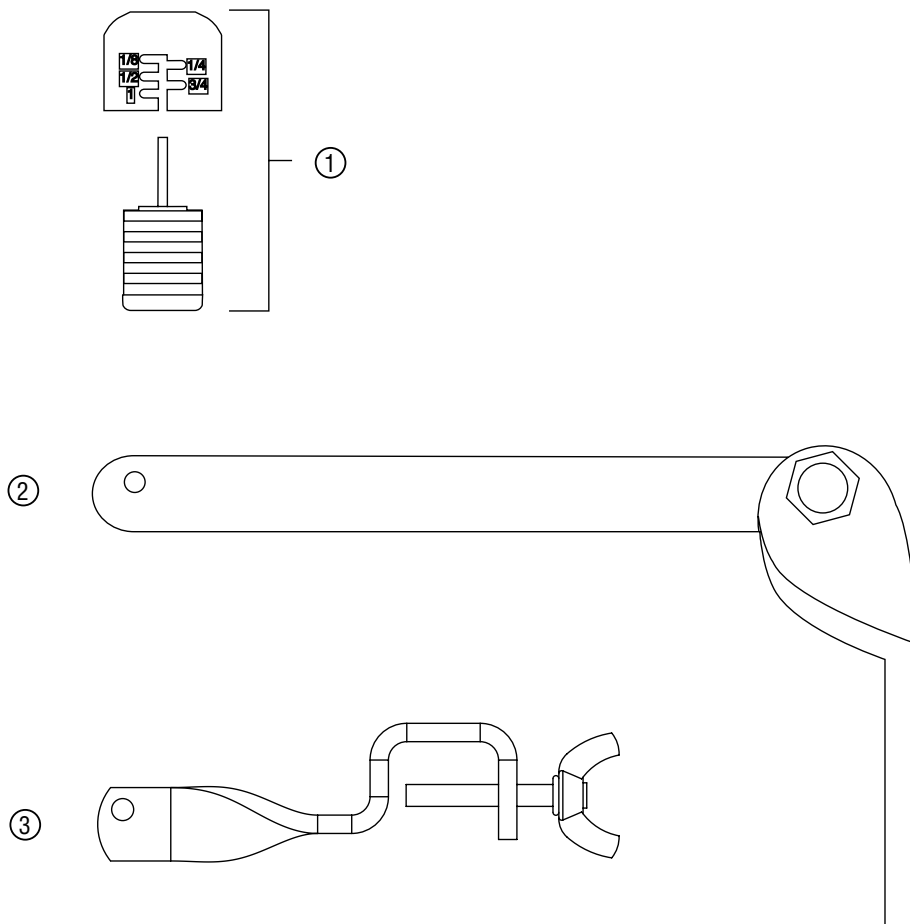
XC Hybrid: Battery-Powered Stainless Steel Controller

Item	Description	Code	AUD
①	Indoor Transformer 240/24VAC (Australian)	HI-545500	94.06
②	Battery Holder (6 C Cells Not Included)	HI-194913	34.91
③	Access Panel	HI-176600	69.79
④	Stainless Steel Door	HI-176200	348.97
⑤	Stainless Steel Rear Enclosure	HI-148100	1,343.48
⑥	Solar Battery Charger	HI-517400	366.39
⑦	Solar Panel with Mounting Assembly	HI-517300	383.88
⑧	Dial	HI-627300	17.45
⑨	Mounting Bracket only	HI-XCHSPB	587.91
⑩	Pole and mounting bracket kit	HI-XCHSPOLE	1,097.44
⑪	Key Set (2)	HI-122516	17.45



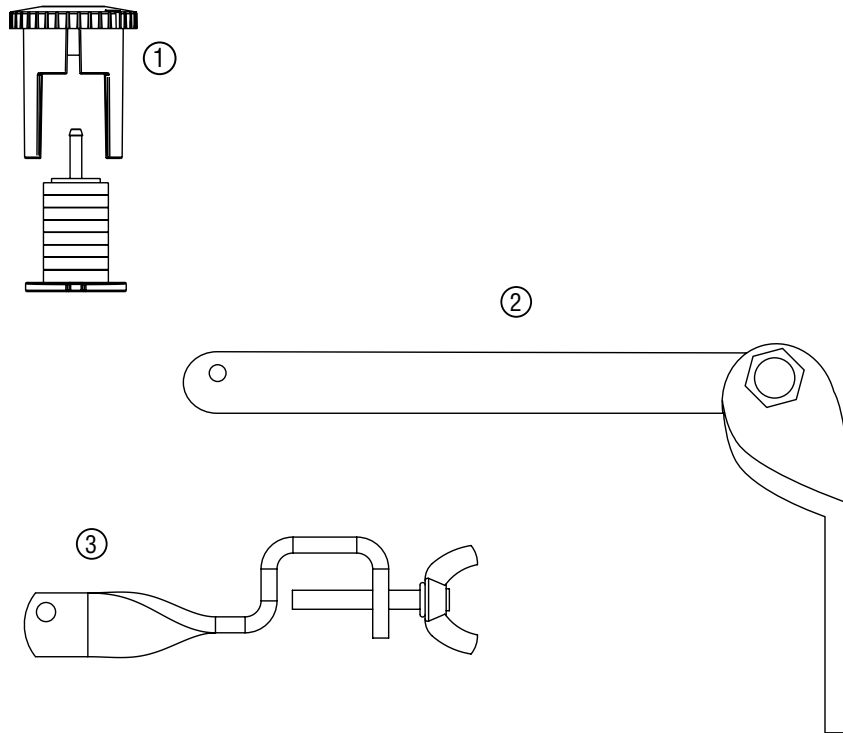
Mini-Clik[®]: Rain Sensor

Item	Description	Code	AUD
①	Cap and Spindle Assembly	HI-440200	17.45
②	Bracket	HI-439700	41.88
③	Sensor Gutter Mount	HI-SGM	15.69



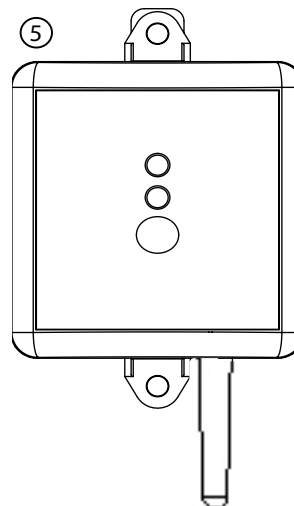
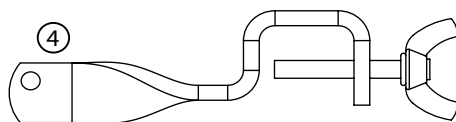
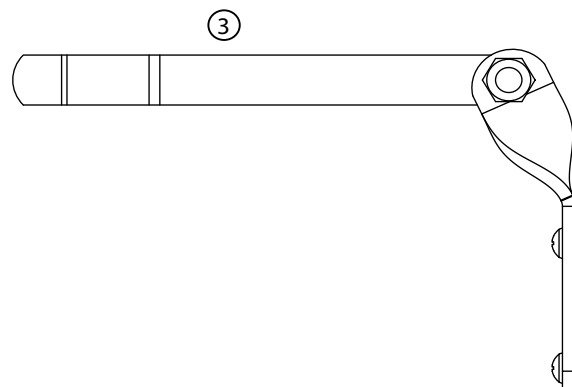
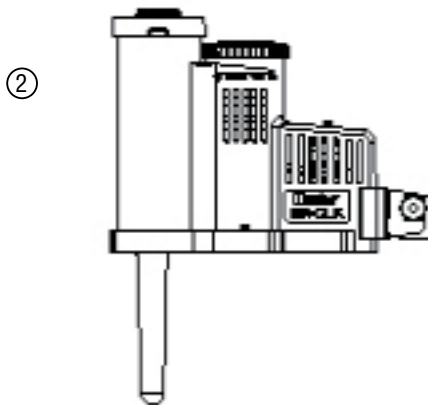
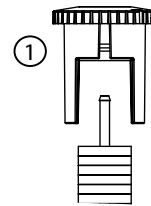
Rain-Clik™: Rain Sensor

Item	Description	Code	AUD
①	Cap and Spindle Assembly	HI-505900	17.45
②	Bracket	HI-439700	41.88
③	Sensor Gutter Mount	HI-SGM	15.69



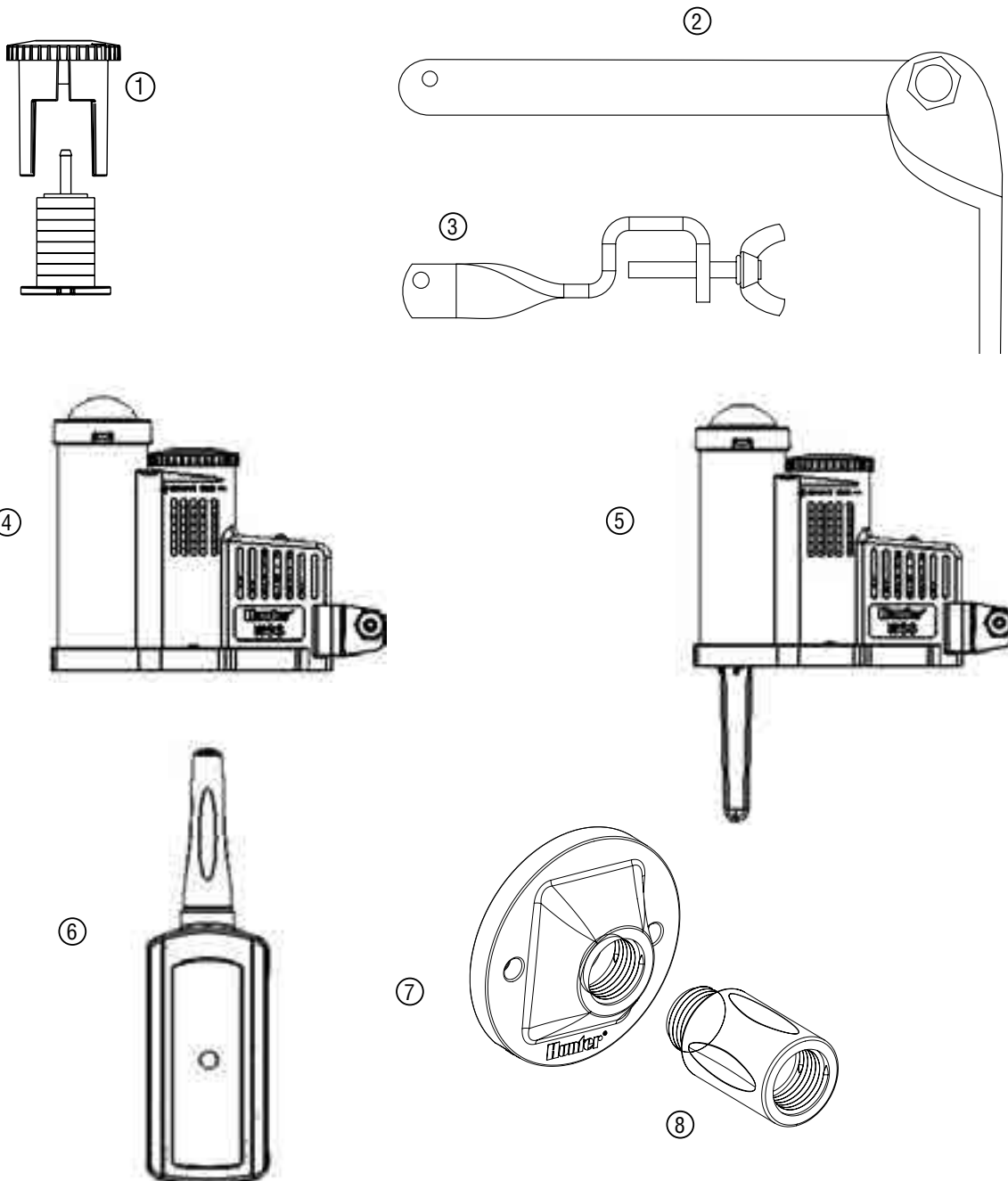
Wireless Rain-Clik: Rain Sensor

Item	Description	Code	AUD
①	Cap and Spindle Assembly	HI-505900	17.45
②	Transmitter Assembly (WRC)	HI-WRCLIKTR	236.17
	Transmitter Assembly (WRFC)	HI-WRFCLIKTR	309.48
③	Sensor Gutter Mount	HI-SGM	15.69
④	Mounting Bracket	HI-439700	41.88
⑤	Receiver Assembly (WRC/WRFC)	HI-WRCLIKR	337.86



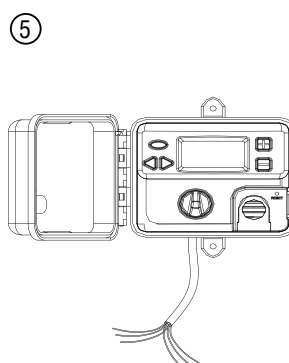
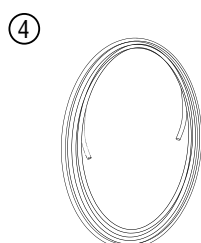
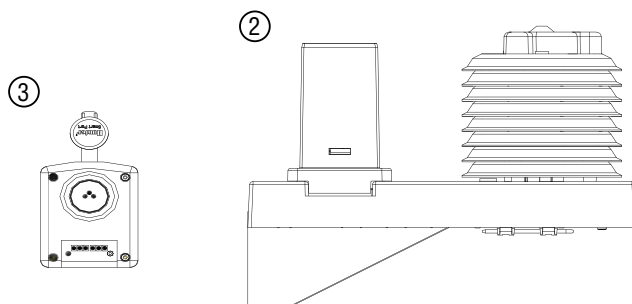
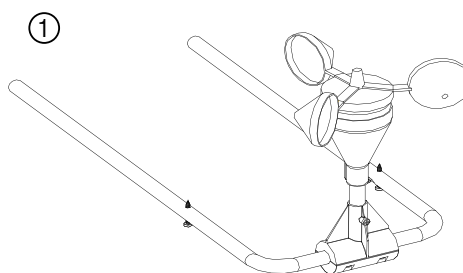
Solar Sync[®]: ET Sensor

Item	Description	Code	AUD
①	Cap and Spindle Assembly	HI-505900	17.45
②	Bracket	HI-439700	41.88
③	Sensor Gutter Mount	HI-SGM	15.69
④	Solar Sync Sensor (Wired)	HI-SOLARSYNCSEN	401.27
⑤	Wireless Solar Sync Sensor	HI-WSSTR	586.00
⑥	Wireless Solar Sync Receiver	HI-WSSR	401.27
⑦	Wall Mount Bracket	HI-258200	7.85
⑧	Wall Mount Bracket Extender	HI-222600	17.45



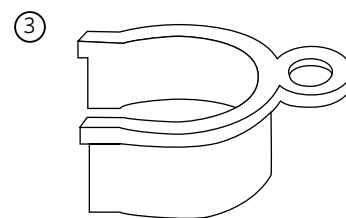
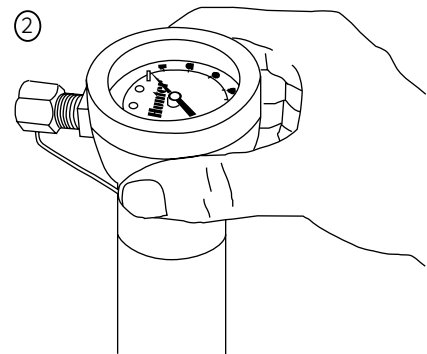
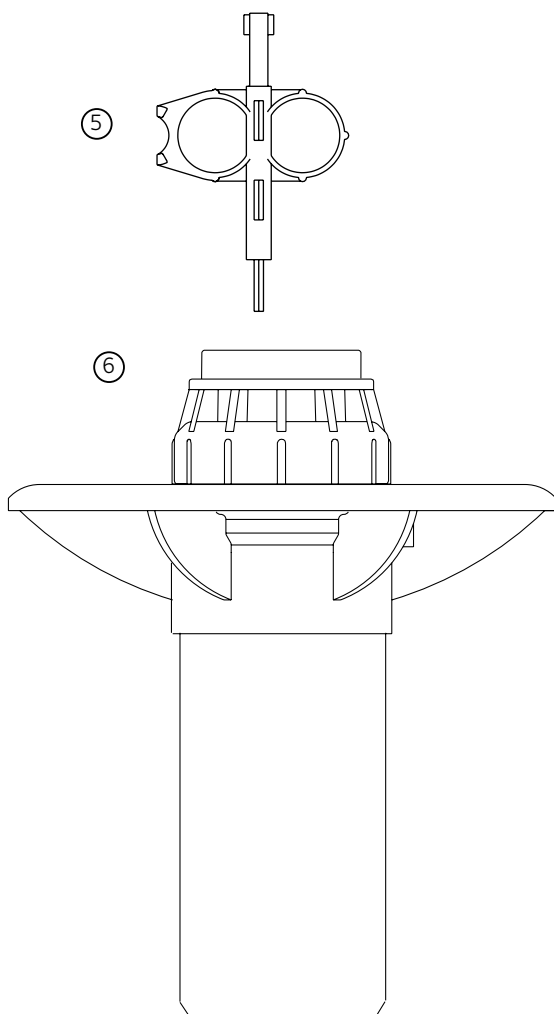
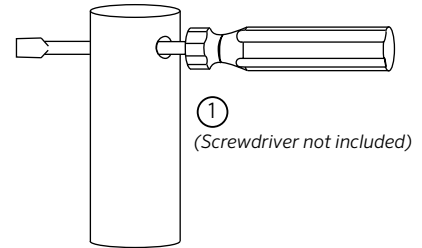
ET System

Item	Description	Code	AUD
①	ET Anemometer	HI-ETWIND	1,741.17
②	ET Sensor Platform	HI-ETSENSOR	1,069.60
③	Smartport Adaptor for ACC	HI-ETADAPTOR	182.31
④	100'/30m Direct Burial Wire	HI-206100	174.48
⑤	ET Control Module	HI-ETMODULE	633.04
	Spare Lithium Battery (Not shown)	HI-622032	Call
	Mounting Bracket Hardware (Not shown)	HI-ETHARDWARE	232.66



Tools

Item	Description	Code	AUD
①	Turf Plug Cutter	HI-150500	39.21
②	Rotor Pitot Gauge	HI-280100	169.84
③	Nozzle Insertion Collar	HI-123200	2.58
④	Hand Pump-Water Extraction	HI-460302	129.66
⑤	Wrench	HI-172000	1.31
⑥	Sub-Surface Stabilizer Flange (I25/I40)	HI-222700	13.07



④



In these terms and conditions "the Company" means Nelson Irrigation Corporation of Australia Pty Ltd ABN 61 064 013 001 (including its successors and assigns) and "Customer" means the buyer whose order for the purchase of Goods is accepted by the Company. "Goods" means all products and services agreed to be supplied by the Company to the Customer under any contract, arrangement order or understanding between the Company and the Customer, whether by way of sale or hire. Each time the Customer places an order with the Company the Customer accepts these Terms and Conditions as governing the supply of the goods or services ordered. Amendments to or deviations from these Terms and Conditions must be agreed in writing by the Company.

1. ACCEPTANCE OF ORDERS AND CONTRACTS All orders and contracts accepted or entered into by a representative of the Company are subject to, and shall not be binding on the Company until, acceptance and approval by the Company. The Company reserves the right to accept or reject any order in whole or in part for any reason, including without limitation the unavailability of any goods.

2. DELIVERY AND RISK

2.1 The Company's policy is to make every effort to ensure prompt delivery of Goods ordered. The Company makes no warranty as to time of delivery or availability of Goods. In the event of any delay, the Company will affect delivery as soon as practicable.

2.2 The Customer acknowledges that the Company shall be under no liability for either direct or consequential loss or damage to the Customer arising from delay or postponement in delivery.

2.3 Unless otherwise agreed in writing all risk in and to the Goods purchased shall pass to the Customer upon delivery to the Customer or its agent or to a carrier commissioned by the Customer and any claims for damages or loss onwards cannot be accepted by the Company.

2.4 No claims for damage in transit, shortage of delivery, or loss of goods will be entertained unless, in the case of damage in transit or shortage of delivery, a separate notice in writing is given to the Company and to the carrier concerned (if any) within seven days of the receipt of goods and, in the case of loss of goods, notice in writing is given to the Company and the carrier concerned (if any) within seven days of the date of the invoice.

2.5 If the Company short supplies any Goods, it will rectify this by supplying the missing items.

3. GOODS RETURNED FOR CREDIT Goods, as listed in our published Price List may be credited if returned to the Company within 30 days of delivery, free into our store in original packing, in an unsoiled, undamaged and reusable condition. Returns are to be accompanied by a Delivery Docket stating original invoice number, date of purchase and reason for return. A 20% restocking fee will be charged on all Goods returned for credit. No Goods will be accepted for credit after 30 days unless prior arrangement has been made. Goods not listed in our published Price List or which are made to special order are not returnable for Credit.

4. WARRANTIES, LIABILITY AND DISCLAIMER

4.1 The Company warrants that its products will be free from original defects in material and workmanship for a period of one year from the original sale when used within the working specifications for which the product was designed and under normal use and service. Goods sold shall have the benefit of any warranty given by the Manufacturer. The Manufacturer and the Company assume no responsibility for defect, damage or loss caused by or during installation or removal, or the unauthorised repair, of the Goods.

4.2 The Company's liability for breach of the terms of this contract, breach of warranty, or breach of a Condition or Warranty implied by the Competition and Consumer Act 2010 (Cth) or otherwise implied into these terms by law shall hereby be limited to one or more of the following remedies, the choice of which is solely at the discretion of the Company: the replacement of the Goods OR the supply of equivalent goods OR repair of the Goods OR payment of the cost of repairing the Goods OR of the cost of replacing the goods or of acquiring equivalent Goods.

4.3 The Company shall under no circumstance be liable in any way whatsoever to the Customer or any other party for any crop losses or other consequential or indirect losses or damage of any kind arising directly or indirectly out of the supply, performance or use of the Goods or out of any breach of contract, negligence or other tort.

4.4 To the extent permitted by law, the warranties and remedies contained in this clause 4 exclude and replace all other warranties and remedies, express or implied, whether arising from the Sale Of Goods Act (Qld) 1896, the Competition And Consumer Act 2010 or otherwise, including warranties of merchantability, fitness for particular purposes and all other obligations or liabilities of the Company Or Manufacturer.

4.5 No agent, employee or representative of the Company has authority to waive, alter or add to the provisions of this warranty, nor to make any representations or warranty not contained herein.

4.6 The Purchaser represents to the Company that if a water supply is involved, unless otherwise specified, the water is clean and free of impurities AND that Goods are required for the Customer's Specifications detailed to the Company and for no other purpose, and agrees to indemnify the Company against all loss and expense suffered and incurred by the Company arising out of the falsity or breach of the said Representations.

5. ADVICE

5.1 Any advice, recommendation, information, assistance or service by the Company in relation to the supply of Goods or use thereof is given in good faith and is believed to be appropriate and reliable.

The Customer warrants and agrees that it will not rely on any such advice, recommendation, information, assistance or service, but enters into this agreement and acquires the Goods in reliance on its own judgment and with full opportunity to gain independent advice as to the nature and quality of the Goods and their suitability for the Customer's needs and specifications.

5.2 Any liability arising out of or in respect of such advice, recommendation, information or service provided by the Company is hereby excluded.

6. FORCE MAJEURE The Company shall not be liable for failure or delay to supply the goods due to a cause beyond its control including but not limited to acts of God, strikes, lock outs or other industrial disturbances, fire, flood, explosion, riot, government interference and the like.

7. RETENTION OF TITLE

7.1 As long as the Customer owes the Company any part of the price of Goods supplied at any time, the Company shall retain the legal title to all Goods supplied and not yet used or resold in the ordinary course of business.

7.2 When such Goods are used, even with the loss of identity, the legal title to the resultant product ("Resultant Products") shall vest in the Company.

7.3 Where the Company retains title, any Proceeds of sale of such Goods or Resultant Products must be received and kept by the Customer as trustee for the Company, be banked into a separate account, and be accounted for to the Company on demand.

7.4 While such Goods or Resultant Products are in the possession of the Customer, the Customer must retain them in a good and merchantable condition and ensure that they are stored separately and marked as the property of the Company until paid for in full or collected by the Company, and must allow the Company and/or its servants or agents onto the premises where they are stored for the purpose of ensuring compliance with these terms or collecting the Goods.

8. PAYMENT AND DEFAULT

8.1 Payment in full for Goods supplied shall be made by the Customer to the Company within 28 days from end of the month in which the Goods are despatched, or as specified by the Company. Settlement discount where applicable will be disallowed if payment is not made in full by the due date.

8.2 In the event that payment to the Company becomes overdue, the Company may suspend the supply of Goods until the account is brought up to date, elect take immediate possession of Goods not paid for and /or choose to terminate the contract, without prejudice to any other rights the Company may have and without the Company being liable in any way to any person.

8.3 Without in any way limiting the Company's right to require payment in full on the due date, the Company may at its sole discretion charge interest on overdue accounts at a rate that is 2% above the Company's prevailing bank overdraft rate, accruing from day to day, from the due date of the relevant invoice up to and including the day the relevant invoice was paid in full.

8.4 The Customer shall pay all costs and expenses (including legal costs on an indemnity basis) incurred by the Company and/or its agents in relation to the recovery of any overdue account. The Customer further acknowledges that those expenses may be calculated on a commission basis at a percentage rate of up to 22% of the amount owing and expressly agrees to pay those expenses. Amounts received by the Company may be applied first against the costs of debt recovery and interest charges, and then to the overdue account.

9. SECURITY INTERESTS AND PERSONAL PROPERTY SECURITIES ACT 2009 (PPSA)

9.1 Terms that are defined in the PPSA have the same meaning in this agreement as in the PPSA.

9.2 The Company's Security Interests under this agreement are continuing interests irrespective of whether there are monies or obligations owing by the Customer at any particular time, and may be registered by the Company under the PPSA.

9.3 The Customer acknowledges that, where any part of the purchase price for Goods remains outstanding, or where amounts are outstanding under a contract for the hire of Goods (where the hire is a PPS lease or constitutes a Security Interest), the Company shall have registrable Security Interests in:

- a) Goods to which the Company retains title, including hired Goods;
- b) Resultant Products to which the Company acquires title;
- c) The proceeds of any Goods to which a Security Interest attaches under this agreement.

9.4 Where permitted by the PPSA, the Customer:

- a) waives any rights to receive the notifications, verifications, disclosures or other documentation referred to in the PPSA;
- b) contracts out of sections 95, 96, 121(4), 125, 129, 130(to the extent possible), 132(3)(d) and (4), 135, 142 and 143 of the PPSA, and nothing in those sections will apply to the sale of Goods under these Terms;

9.5 Where the Company has rights in addition to those contained in the PPSA, those rights continue to apply.

9.6 The Customer must immediately upon the Company's request, do all things and execute all documents necessary to give effect to and preserve the priority of the security interests created under these Terms or arising under the PPSA.

9.7 The Company may allocate amounts received from the Customer in any manner the Company determines, including in any manner required to preserve any Security Interest.

10. PRIVACY AUTHORITY Where Services are supplied to the Customer on credit the Customer irrevocably authorises the Company, its employees and agents to make such enquiries as it deems necessary to investigate the credit worthiness of the Customer from time to time including (but without limiting the generality of the foregoing) the making of enquiries of persons nominated as trade referees, the bankers of the Customer or any other credit providers (the information sources) and the Customer hereby authorises the information sources to disclose to the Company such information concerning the Customer which is within their possession and which is requested by the Company.

11. SEVERABILITY If any provision of part thereof is invalid, illegal or incapable of enforcement, then it shall be severed from the remainder of this Agreement, which shall remain in full force and effect unless the basic purpose of this Agreement would thereby be defeated.

12. GOVERNING LAW Agreements between the parties shall be deemed to be made in Queensland and shall be governed by the law of Queensland.